

Ordering Information

Accessories/hardware:		
Hardwood cutting board	K-3294	optional
Wire rinse basket	K-3277	optional
Bottom basin rack	K-3192	optional
Duostrainer® sink strainer	K-8801	optional

Product Information

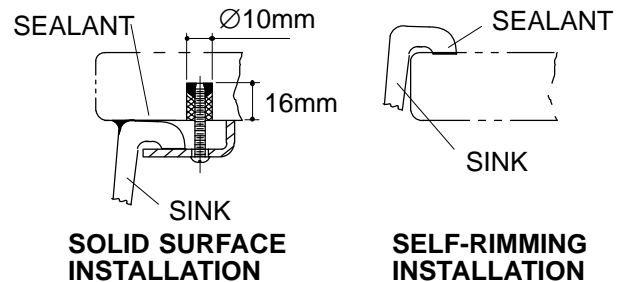
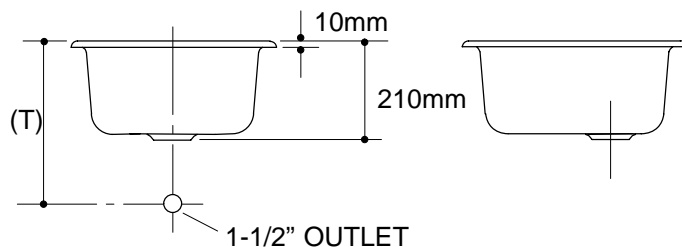
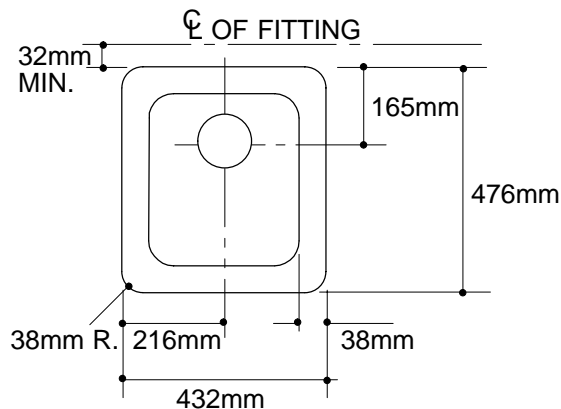
Fixture*:		basin area	water depth
Sink		356 x 406mm	191mm
Outlet	Ø98mm		

* Approximate measurements for comparison only.

Included Components:	
Basin clamp accessory pack	52047
Cutout template	114332-7

Installation Notes

Refer to installation instructions included with fixture before beginning installation.



Roughing-In Notes

Fixture dimensions are nominal and conform to tolerances in ASME/ANSI Standard A112.19.1M.

(T) Drain typically 343mm.

Supplied basin clamp assemblies require 25mm minimum countertop thickness. Installer must supply hardware for thinner countertops.

For multiple bowl undercounter installations, a minimum distance of 86mm is required between bowls. Countertop supplier to determine required support.