

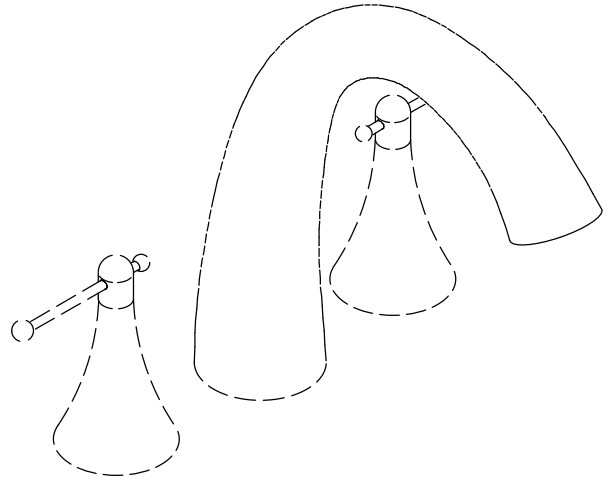
FEATURES

- Brass construction
- Deck-mount
- 7-1/2" high-arch non-diverter spout with slip-fit connection
- Variety of handle style options

CODES/STANDARDS APPLICABLE

Specified model meets or exceeds the following:




- ASME/ANSI A112.18.1M
- CSA B125
- IAPMO/UPC

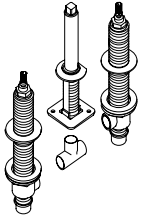


COLORS/FINISHES

- CP Polished Chrome
- Other Refer to Faucets Price Book for additional finishes

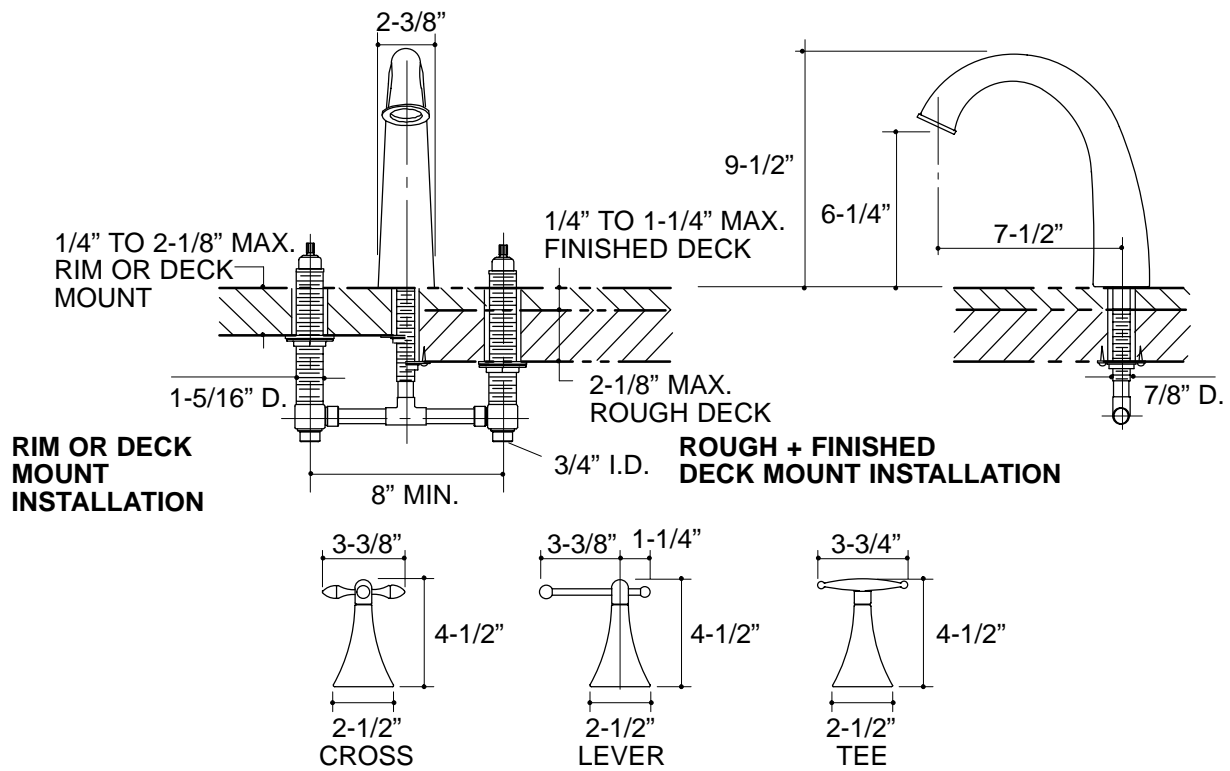
SPECIFIED MODEL: For complete faucet, both faucet trim and valve system must be specified.

Model	Description	 ADA	 ADA	 ADA
K-T314-3	With Cross Handles	<input type="checkbox"/> Other _____		
K-T314-4	With Lever Handles		<input type="checkbox"/> CP <input type="checkbox"/> Other _____	
K-T314-6	With Tee Handles			<input type="checkbox"/> CP <input type="checkbox"/> Other _____

Required Accessory		
K-301-K	3/4" High-Flow Ceramic Disc Valve System	<input type="checkbox"/> NA

PRODUCT SPECIFICATION:
Two-handle deck-mount high-flow bath faucet trim shall be of brass construction. Product shall include 7-1/2" high-arch non-diverter spout with slip-fit connection, and handles. Faucet trim shall be Kohler Model K-T314-_____-_____- and valve system shall be Kohler Model K-301-K-NA.

FINIAL FUNDAMENTALS



PRODUCT DIAGRAM