

Ordering Information

Accessories/hardware:		
Jet trim kit	K-9696	required
Drain	K-7161-AF	recommended
Vinyl tiling-in bead*	K-1179	optional

*Use K-1179 vinyl bead when wall material contacts any top surface of bath.

Required Electrical Service

Dedicated circuit required, protected with Class A Ground-Fault Circuit-Interrupter (GFCI):	
Pump/control	120 V., 20 A, 60 Hz

Product Information

Fixture*:	basin area	top area	weight		
Bathing well	1041 x 737mm	1422 x 914mm	59 Kg.		
	water depth	capacity			
To overflow	381mm	322 litres			

* Approximate measurements for comparison only.

Pump:	high HP	low HP	V	Hz	A
2-speed	1	1/8	120	60	16.5

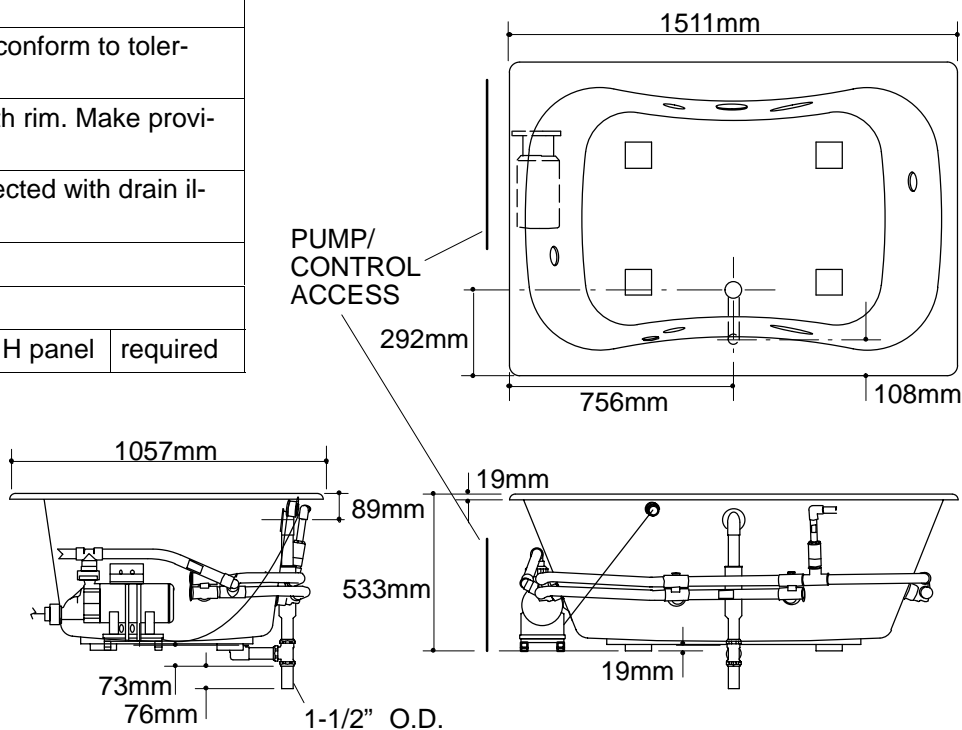
Installation Notes

Refer to installation instructions included with fixture before beginning installation.

If installing a rim-mount faucet, make sure there is no interference with drain overflow and circulating system before drilling any holes. Consult local and national codes for minimum air gap requirements if installing a spout on the faucet deck.

Pump is supplied with a grounding type plug-in cord. Locate the outlet behind the whirlpool, and within 610mm of the pump.

Roughing-In Notes		
Fixture dimensions are nominal and conform to tolerances in ANSI Standard Z124.1.		
Pump extends 13mm beyond the bath rim. Make provisions during rough-in or installation.		
No change in measurements if connected with drain illustrated.		
Cut-out	1473 x 1016mm	
Minimum access panel:		
Pump/control	508mm W x 381mm H panel	required



1.25>132