

Ordering Information

Applicable product:		
Vessels™ Turnings	K-2191	shown
Vessels™ Conical Bell	K-2200	not shown
Accessories/hardware:		
P-trap	K-9018	recommended
Falling Water faucet 6-1/4" spout	K-T194	recommended
Falling Water faucet 8-1/4" spout	K-T196	recommended
Falling Water fct 10-1/4" spout	K-T198	recommended
Wall mount valve	K-307-K	*required
Pop-up drain with undercounter-mount actuator	K-7702	recommended
Drain	K-7710	recommended
Grid drain	K-7715	recommended
Vessels wall-mount bracket	K-9655	optional
*Valve must be ordered to complete Falling Water faucet.		

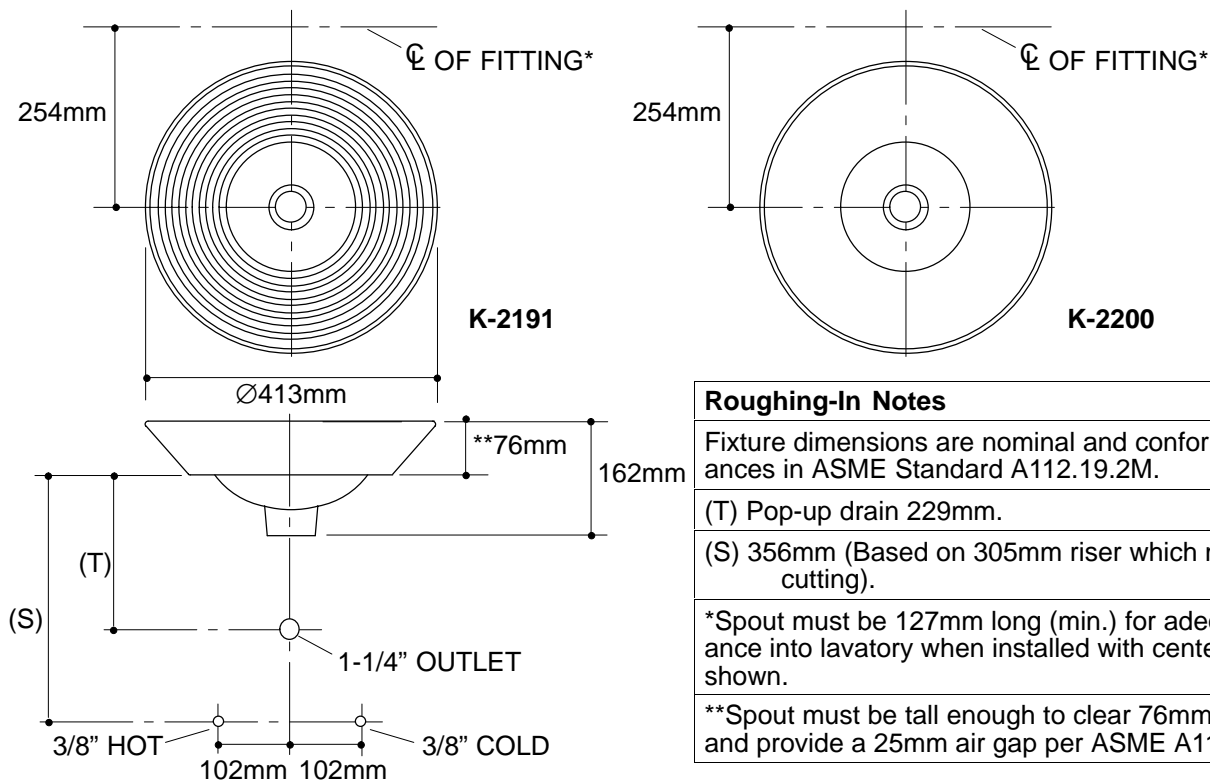
Product Information

Fixture*:		basin area	water depth
Lavatory		Ø403mm	108mm
Outlet	Ø44mm		
* Approximate measurements for comparison only.			
Included Components:			
Adhesive sealant		81489	
Adjustable linkage		84474	
Cutout template		114430-7	

Installation Notes

Refer to installation instructions included with fixture before beginning installation.

Product does not have an overflow.



Roughing-In Notes

Fixture dimensions are nominal and conform to tolerances in ASME Standard A112.19.2M.

(T) Pop-up drain 229mm.

(S) 356mm (Based on 305mm riser which may require cutting).

*Spout must be 127mm long (min.) for adequate clearance into lavatory when installed with centerline as shown.

**Spout must be tall enough to clear 76mm rim height and provide a 25mm air gap per ASME A112.1.2

332