

Ordering Information

Applicable product:		
203mm centers lavatory	K-2023	shown
Single-hole lavatory	K-2025	not shown
102mm centers lavatory	K-2027	not shown
Accessories/hardware:		
Brackets	K-1808	optional
Drain	K-13885	optional
Trap	K-8998	optional

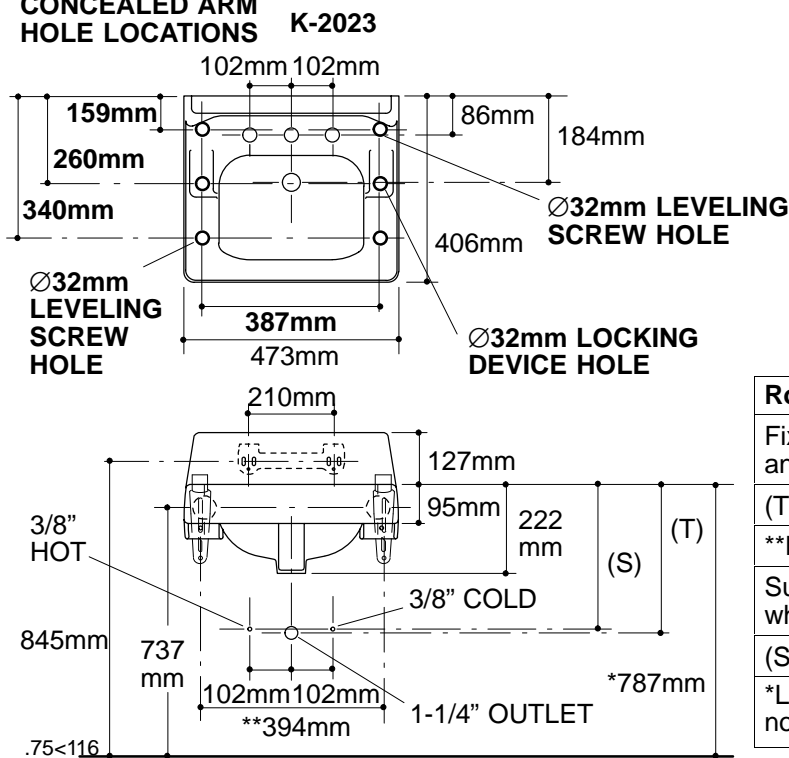
Product Information

Fixture*:		basin area	water depth
Lavatory		330 x 203mm	133mm
Outlet	Ø44mm		
* Approximate measurements for comparison only.			

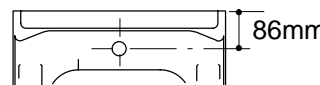
Holes	K-2023	K-2025	K-2027
Spout	Ø30mm	Ø35mm	Ø30mm
Faucet	Ø35mm		Ø30mm

Included Components:	
Hanger (1)	64839
Supplied hanger not used with concealed arm carrier.	

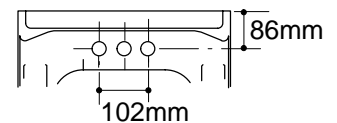
CONCEALED ARM HOLE LOCATIONS



K-2025



K-2027



Roughing-In Notes

Fixture dimensions are nominal and conform to tolerances in ASME Standard A112.19.2M.

(T) Pop-up drain 365mm, grid drain 343mm.

**Dimension from centerline to centerline of brackets.

Supply (Based on 305mm riser which may require cutting).	K-2025, K-2027	K-2023
--	-------------------	--------

(S)	254mm	356mm
-----	-------	-------

*Lavatory complies with ADA requirement when rim is no higher than 864mm from finished floor.