

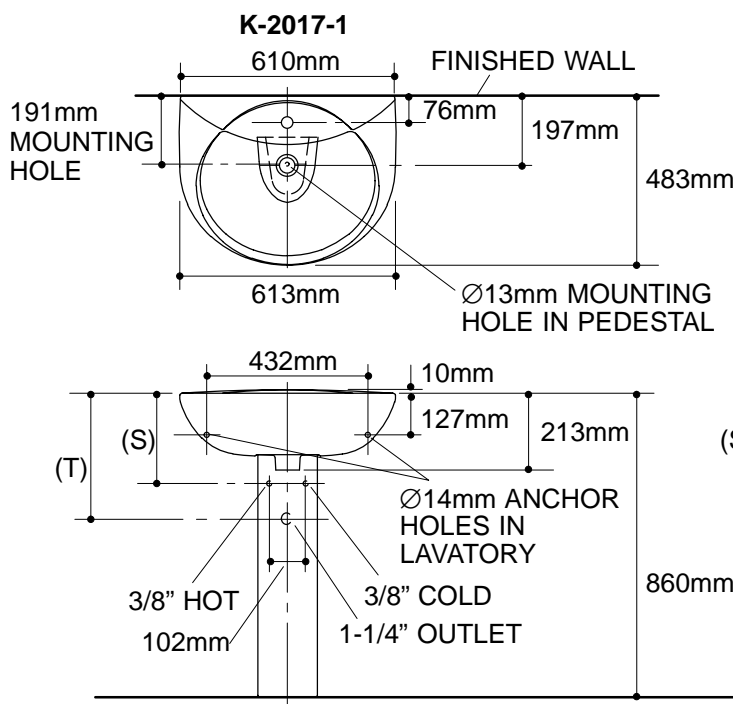
Ordering Information

Applicable product:		
Single-hole lavatory	K-2017-1	shown
102mm centers lavatory	K-2017-4	not shown
203mm centers lavatory	K-2017-8	not shown
Accessories/hardware		
Lavatory supplies, 3/8"	K-7605-P	recommended

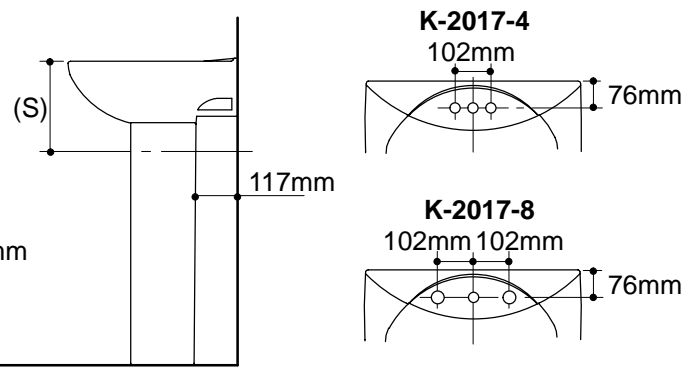
Product Information

Fixture*:		basin area	water depth
Lavatory		483 x 305mm	114mm
Outlet	Ø44mm		
* Approximate measurements for comparison only.			
Holes	K-2017-1	K-2017-4	K-2017-8
Spout	Ø35mm	Ø30mm	Ø30mm
Faucet		Ø30mm	Ø37mm

Included Components:	
Lavatory basin, single-hole	K-2018-1
Lavatory basin, 102mm centers	K-2018-4
Lavatory basin, 203mm centers	K-2018-8
Pedestal	K-2019
Rubber pads	63069
Lavatory accessory pack	52204



Roughing-In Notes		
Fixture dimensions are nominal and conform to tolerances in ASME Standard A112.19.2M.		
(T) Pop-up drain 356mm, grid drain 333mm.		
Supply (Based on 305mm riser which may require cutting).	K-2017-1, K-2017-4	K-2017-8
(S)	254mm	356mm



.75<116