

## Ordering Information

Applicable product:		
Left hand drain	K-1273	shown
Right hand drain	K-1274	not shown
Accessories/hardware:		
Non-color matched jet trim kit	K-9695	optional
Drain	K-7161-AF	recommended

## Required Electrical Service

Dedicated circuit required, protected with Class A Ground-Fault Circuit-Interrupter (GFCI):	
Pump/control	120 V., 15 A, 60 Hz

## Product Information

Fixture*:	basin area	top area	weight
Bathing well	1168 x 533mm	1346 x 660mm	57 Kg.
	water depth	capacity	
To overflow	368mm	223 litres	

\* Approximate measurements for comparison only.

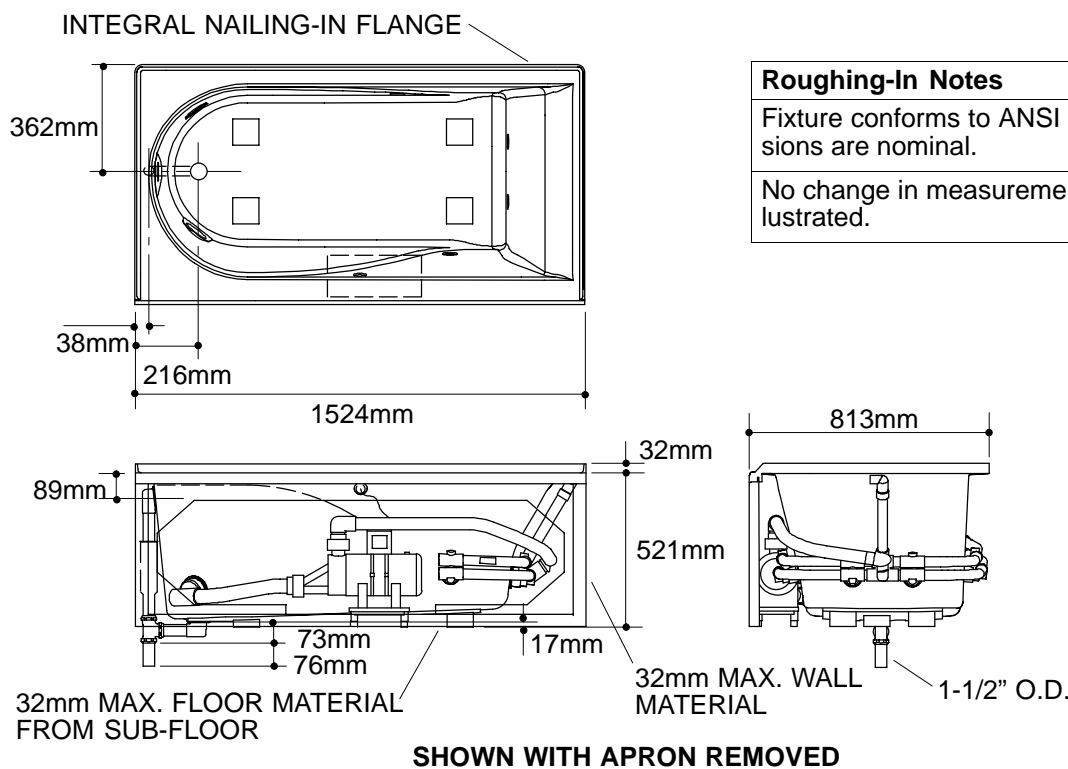
Pump:	HP	V	Hz	A
1-speed	3/4	120	60	10.5

Included Components:	
Removable apron	factory installed
Color matched jet trim kit	factory installed

## Installation Notes

Refer to installation instructions included with fixture before beginning installation.

Pump is supplied with a grounding type plug-in cord. Locate the outlet behind the whirlpool, and within 610mm of the pump.



## Roughing-In Notes

Fixture conforms to ANSI Standard Z124.1. All dimensions are nominal.

No change in measurements if connected with drain illustrated.

1.25>132