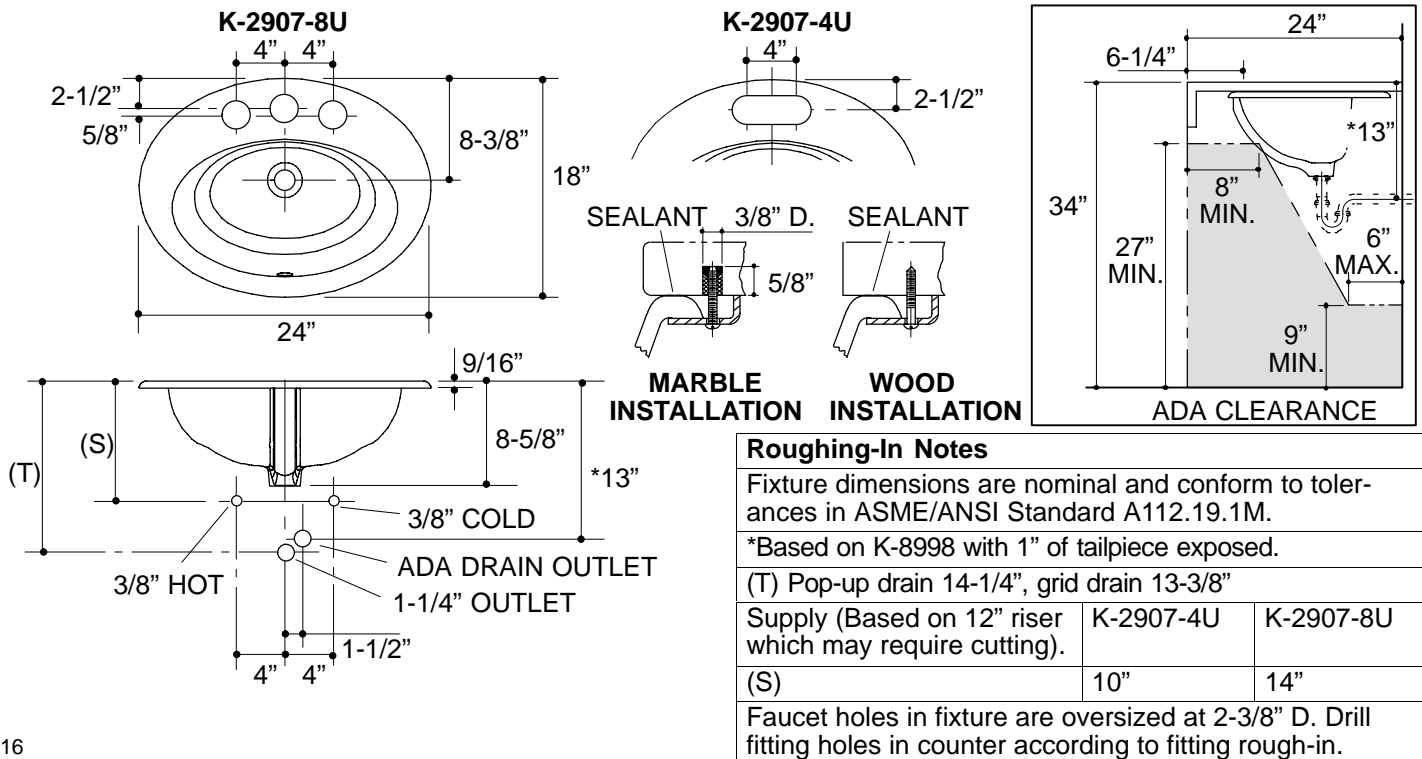


Ordering Information

Applicable product:		
8" centers lavatory	K-2907-8U	shown
4" centers lavatory	K-2907-4U	not shown
Accessories/hardware		
Trap	K-8998	recommended

Product Information

ADA compliant.			
Fixture*:		basin area	water depth
Lavatory		18-1/4" x 11"	4-3/4"
Outlet	1-11/16" D.		
* Approximate measurements for comparison only.			
Included Components:			
Basin clamp assembly			52047
Overflow ferrule			44071
Cutout template			114635-7



Roughing-In Notes		
Fixture dimensions are nominal and conform to tolerances in ASME/ANSI Standard A112.19.1M.		
*Based on K-8998 with 1" of tailpiece exposed.		
(T) Pop-up drain 14-1/4", grid drain 13-3/8"		
Supply (Based on 12" riser which may require cutting).	K-2907-4U	K-2907-8U
(S)	10"	14"
Faucet holes in fixture are oversized at 2-3/8" D. Drill fitting holes in counter according to fitting rough-in.		