

Ordering Information

Accessories/hardware:		
Hardwood cutting board	K-3294	optional
Wire rack	K-6009	optional

Product Information

Fixture*:		basin area	water depth
Sink		16" x 17"	9"
Outlet	3-7/8" D.		
Faucet hole	2-3/8" D.		

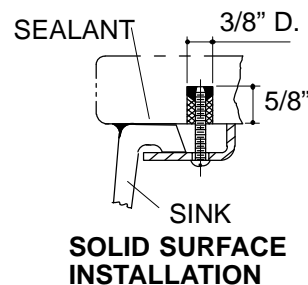
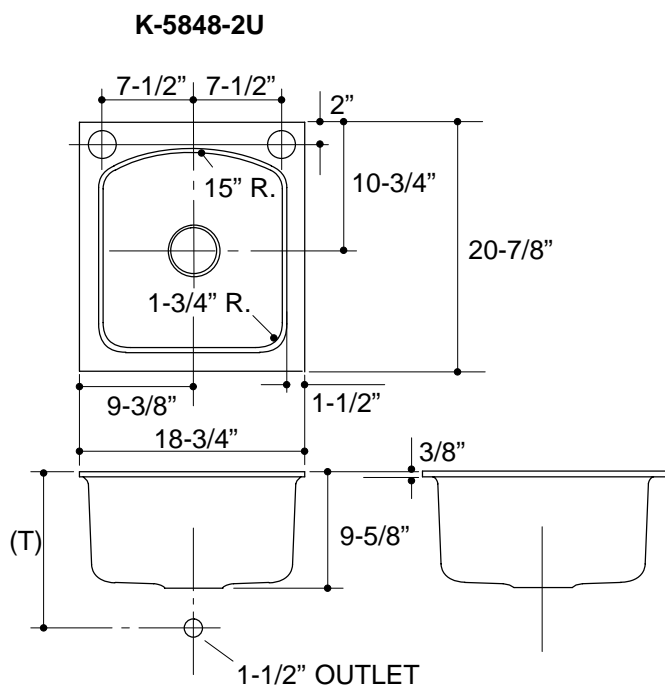
* Approximate measurements for comparison only.

Included Components:

Cutout template	114713-7
-----------------	----------

Installation Notes

Refer to installation instructions included with fixture before beginning installation.



Roughing-In Notes

Fixture dimensions are nominal and conform to tolerances in ASME/ANSI Standard A112.19.1M.

(T) Drain typically 13-1/2".

Supplied basin clamp assemblies require 1" minimum countertop thickness. Installer must supply hardware for thinner countertops.

For multiple bowl undercounter installations, a minimum distance of 3-3/8" is required between bowls. Countertop supplier to determine required support.