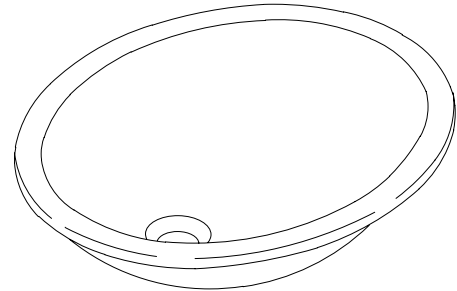


FEATURES

- 17" x 14"
- Vitreous china
- Tile-in
- With overflow
- ADA compliant



CODES/STANDARDS APPLICABLE

Specified model meets or exceeds the following:

- ADA
- ASME/ANSI A112.19.2M
- CABO/ANSI A117.1
- Canadian Standards Association (CSA)

COLORS/FINISHES

- 0 White
- Other Refer to Fixtures Price Book for additional colors

Accessories:

- CP Polished Chrome
- Other Refer to Faucets Price Book for additional finishes

SPECIFIED MODEL:

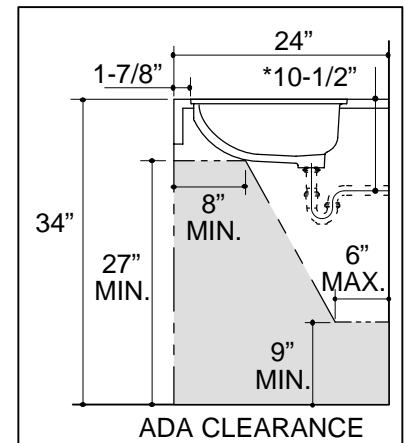
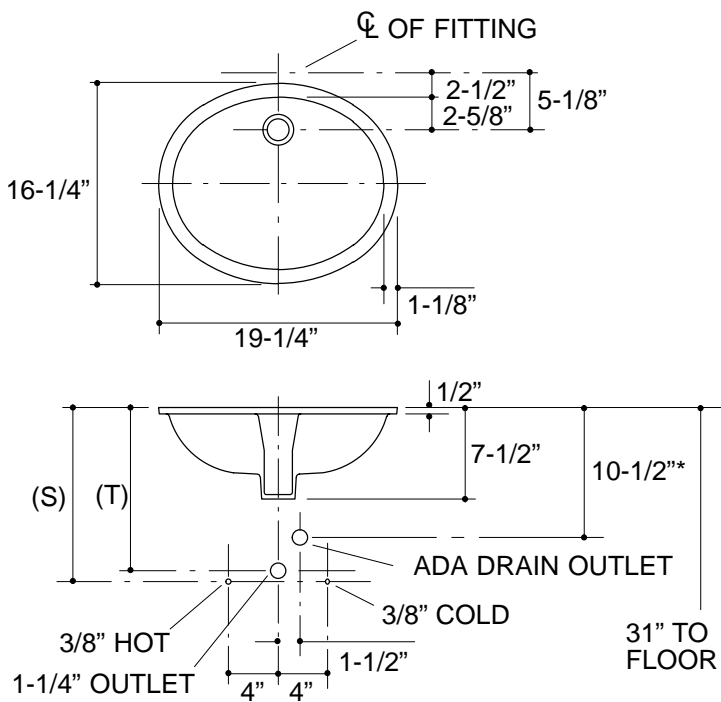
Model	Description	Colors/Finishes	
K-2257	Tile-in lavatory	<input type="checkbox"/> 0 White	<input type="checkbox"/> Other_____
Recommended Accessories			
K-8998	Drain	<input type="checkbox"/> CP	<input type="checkbox"/> Other_____

PRODUCT SPECIFICATION:

The tile-in lavatory shall be 17" in length, and 14" in width. Lavatory shall be made of vitreous china. Lavatory shall have overflow. Lavatory shall be ADA compliant. Lavatory shall be Kohler Model K-2257-_____.

PRODUCT INFORMATION

ADA compliant.			
Fixture*:		basin area	water depth
Lavatory		17" x 14"	4"
Outlet	1-3/4" D.		
* Approximate measurements for comparison only.			
Included Components:			
Cutout template			114752-7



Roughing-In Notes

(T) Pop-up drain 13-1/8", drain 12-1/4".

(S) 14" (Based on 12" riser which may require cutting).

PRODUCT DIAGRAM