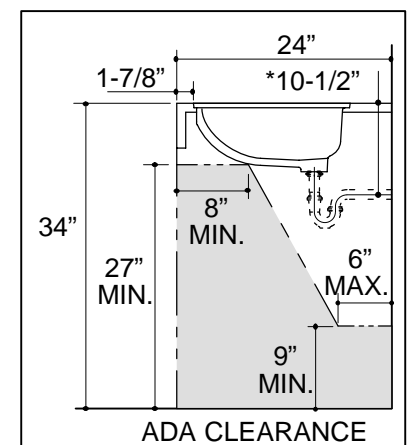
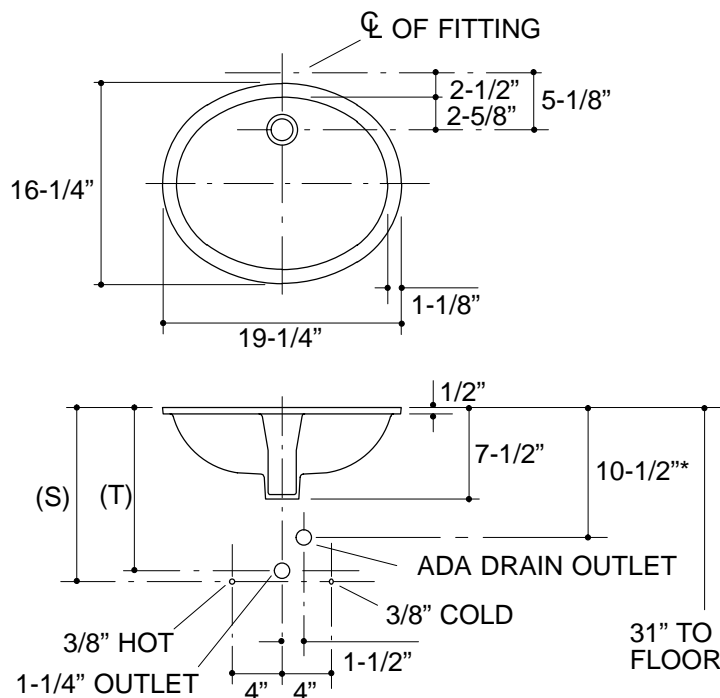


### Ordering Information

Accessories/hardware:		
Metal frame	K-6686	recommended
Trap	K-8998	recommended

### Product Information

ADA compliant.			
Fixture*:		basin area	water depth
Lavatory		17" x 14"	4"
Outlet	1-3/4" D.		
* Approximate measurements for comparison only.			



Roughing-In Notes	
Fixture dimensions are nominal and conform to tolerances in ASME Standard A112.19.2M.	
*Based on K-8998 with 1" of tailpiece exposed.	
(T) Pop-up drain 13-1/8", drain 12-1/4".	
(S) 14" (Based on 12" riser which may require cutting).	
Cutout	metal frame required.