

## Ordering Information

Applicable product:		
Right outlet (Polished Chrome)	K-1052-CP	shown
Right outlet (Polished Brass)	K-1052-PB	shown
Left outlet (Polished Chrome)	K-1053-CP	shown
Left outlet (Polished Brass)	K-1053-PB	shown
Accessories/hardware:		
Jet trim kit	K-9696	required
Drain	K-7161-AF	recommended
Glassworks™ shower door	K-9846	required
Coralais BodySpa Rite-Temp faucet	K-1097	recommended
Coralais two-handle faucet	K-1096	

## Required Electrical Service

Dedicated circuit required, protected with Class A Ground-Fault Circuit-Interrupter (GFCI):	
Pump/control	120 V., 20 A, 60 Hz

## Product Information

Fixture*:	basin area	top area	weight	
Bathing well	1143 x 533mm	1321 x 660mm	125 Kg.	
	water depth	capacity		
To overflow	293mm	184 litres**		
* Approximate measurements for comparison only.				
**110 litre minimum required for BodySpa operation; 167 litre minimum required for whirlpool operation.				
Pump:	HP	V	Hz	A
60 Hz	1	120	60	16.5

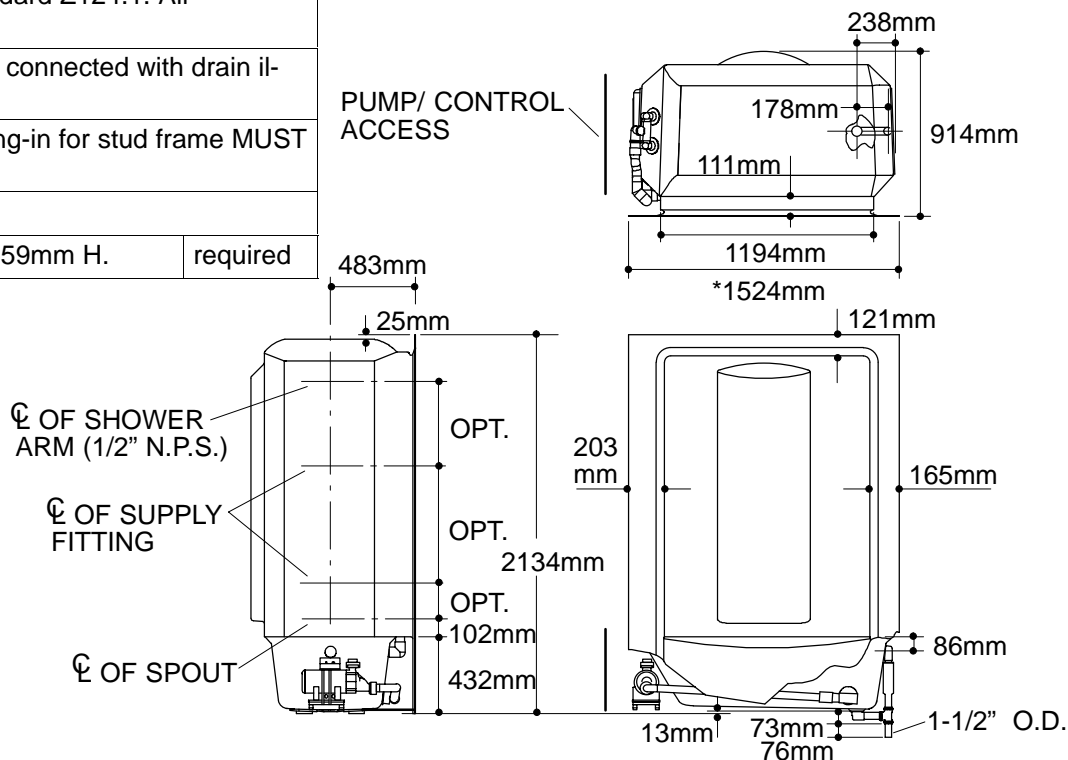
## Installation Notes

Refer to installation instructions included with fixture before beginning installation.

Unit is not drilled for supply fittings.

Each pump is supplied with a grounding type plug-in cord. Locate the outlet behind the bathing system, and within 610mm of the pump.

<b>Roughing-in Notes</b>		
Fixture conforms to ANSI Standard Z124.1. All dimensions are nominal.		
No change in measurements if connected with drain illustrated.		
*Unit width is 1524mm, roughing-in for stud frame MUST be 1537mm.		
Minimum access panel:		
Pump/control	559mm W. x 559mm H.	required



.75<132