

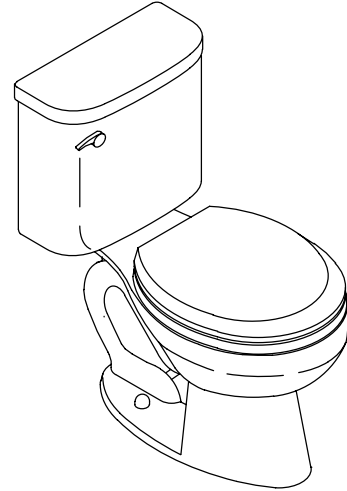
FEATURES

- 12" rough-in
- Vitreous china
- Round front bowl
- 1.6 gpf
- Includes polished chrome trip lever
- Combination toilet
- Less seat and supply

CODES/STANDARDS APPLICABLE

Specified model meets or exceeds the following:

- ASME/ANSI A112.19.2M
- ASME/ANSI A112.19.6M
- Energy Policy Act of 1992 (EPACT)
- IAPMO/UPC
- Canadian Standards Association (CSA)
- State of Texas



COLORS/FINISHES

- 0 White
- 47 Almond
- 55 Innocent Blush
- 95 Ice Grey
- 96 Biscuit

SPECIFIED MODEL:

Model	Description	Colors/Finishes		
K-3557	Round front bowl toilet	<input type="checkbox"/> 0 White	<input type="checkbox"/> Other_____	
Recommended Accessories				
K-4662	Lustra™ seat with cover	<input type="checkbox"/> 0 White	<input type="checkbox"/> Other_____	
K-7637	Angle supply with stop	<input type="checkbox"/> CP	<input type="checkbox"/> PB	<input type="checkbox"/> Other_____

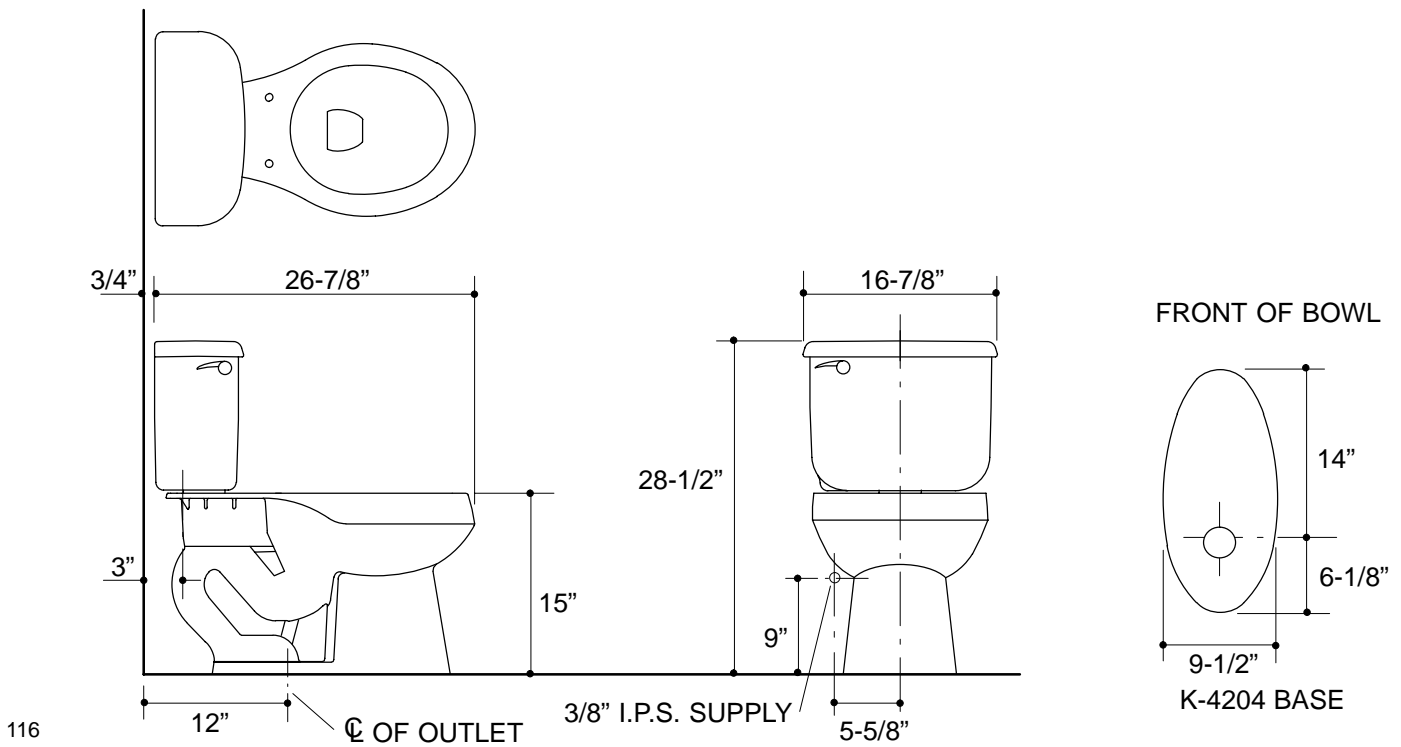
PRODUCT SPECIFICATION:

The round front combination toilet shall be 12" rough-in. Toilet shall be made of vitreous china. Toilet shall be 1.6 gpf. Toilet shall include polished chrome trip lever. Toilet shall be less seat and supply. Kohler toilet shall be Model K-3557-_____.

CONFIDANTE

PRODUCT INFORMATION

Fixture:	
Configuration	2-piece, round
Gallons per flush	1.6
Passageway	2"
Water depth from rim	6"
Seat post hole centers	5-1/2"
Included Components:	
Bowl	K-4204
Tank	K-4456
Tank cover	84537
Trip lever	81618



PRODUCT DIAGRAM