

Ordering Information

Accessories/hardware:		
Drain	K-11677	recommended
Vinyl tiling-in bead*	K-1179	optional

*Use K-1179 vinyl bead when wall material contacts any top surface of bath.

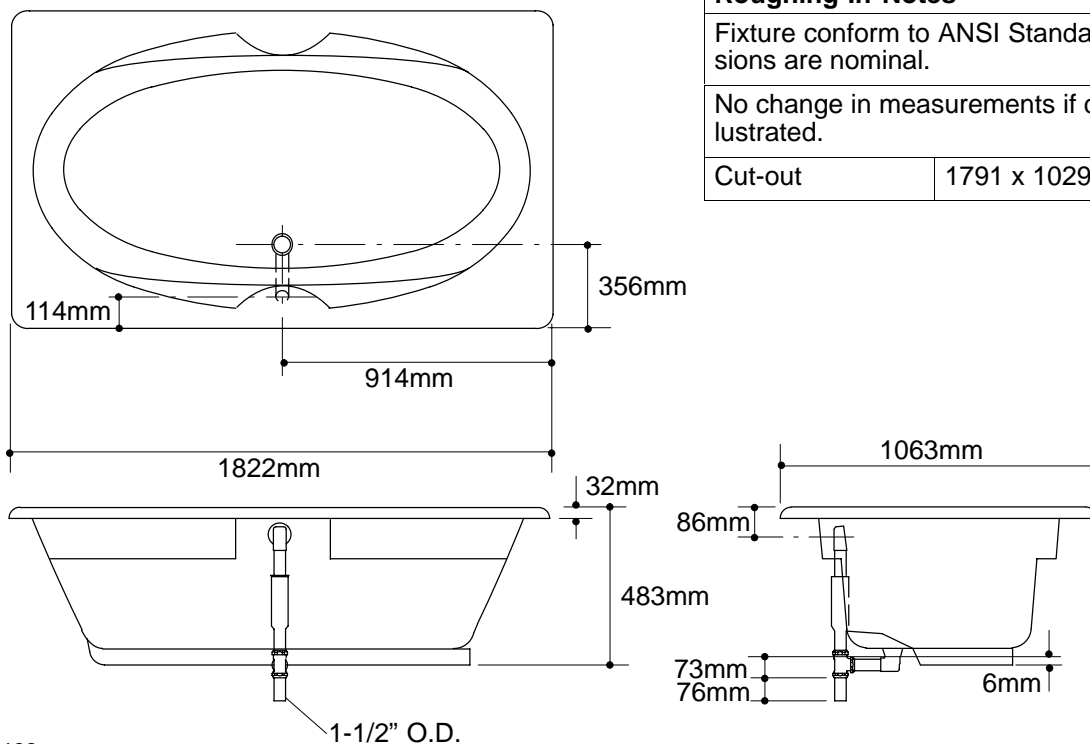
Product Information

Fixture*:	basin area	top area	weight
Bathing well	1346 x 660mm	1651 x 864mm	23 Kg.
	water depth	capacity	
To overflow	381mm	295 litres	

* Approximate measurements for comparison only.

Installation Notes

Refer to installation instructions included with fixture before beginning installation.



Roughing-In Notes

Fixture conform to ANSI Standard Z124.1. All dimensions are nominal.

No change in measurements if connected with drain illustrated.

Cut-out	1791 x 1029mm
---------	---------------

1.25>132

K-1132 System Basic 7242 Bath
114858-1M-AA (A)

KOHLER®