

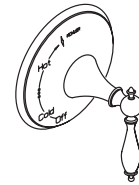
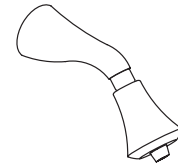
FEATURES

- Brass construction
- Traditional handle
- Available with contrasting or matching finish faceplate and handle accents

CODES/STANDARDS APPLICABLE

Specified model meets or exceeds the following:

- ASME/ANSI A112.18.1M
- ASSE/ANSI 1016
- CSA B125
- IAPMO/UPC

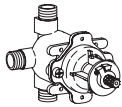
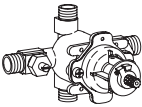


COLORS/FINISHES

- CP Polished Chrome
- PB Polished Brass
- Other Refer to Faucets Price Book for additional finishes

SPECIFIED MODEL: For complete faucet, both faucet trim and Rite-Temp valve must be specified.

Model	Description			
K-T313-4F	Shower Only Trim With Biscuit Accents	<input type="checkbox"/> CP	<input type="checkbox"/> PB	
K-T313-4M	Shower Only Trim With Polished Finish Accents	<input type="checkbox"/> CP	<input type="checkbox"/> PB	<input type="checkbox"/> Other_____
K-T313-4P	Shower Only Trim With White Accents	<input type="checkbox"/> CP	<input type="checkbox"/> PB	
K-T309-4F	Valve Only Trim With Biscuit Accents	<input type="checkbox"/> CP	<input type="checkbox"/> PB	
K-T309-4M	Valve Only Trim With Polished Finish Accents	<input type="checkbox"/> CP	<input type="checkbox"/> PB	<input type="checkbox"/> Other_____
K-T309-4P	Valve Only Trim With White Accents	<input type="checkbox"/> CP	<input type="checkbox"/> PB	

Required Accessory			
K-304-K	Rite-Temp Valve Without Stops	<input type="checkbox"/> NA	<input type="checkbox"/> NA
K-304-KS	Rite-Temp Valve With Stops	<input type="checkbox"/> NA	<input type="checkbox"/> NA

PRODUCT SPECIFICATION:

Rite-Temp pressure-balancing single-control shower faucet trim shall be of brass construction. Shower only trim shall include showerhead with arm, and faceplate with traditional handle. Valve only trim shall include faceplate with traditional handle. Faucet trim shall be Kohler Model K-T_____-_____-_____- and Rite-Temp valve shall be K-304-_____-NA.

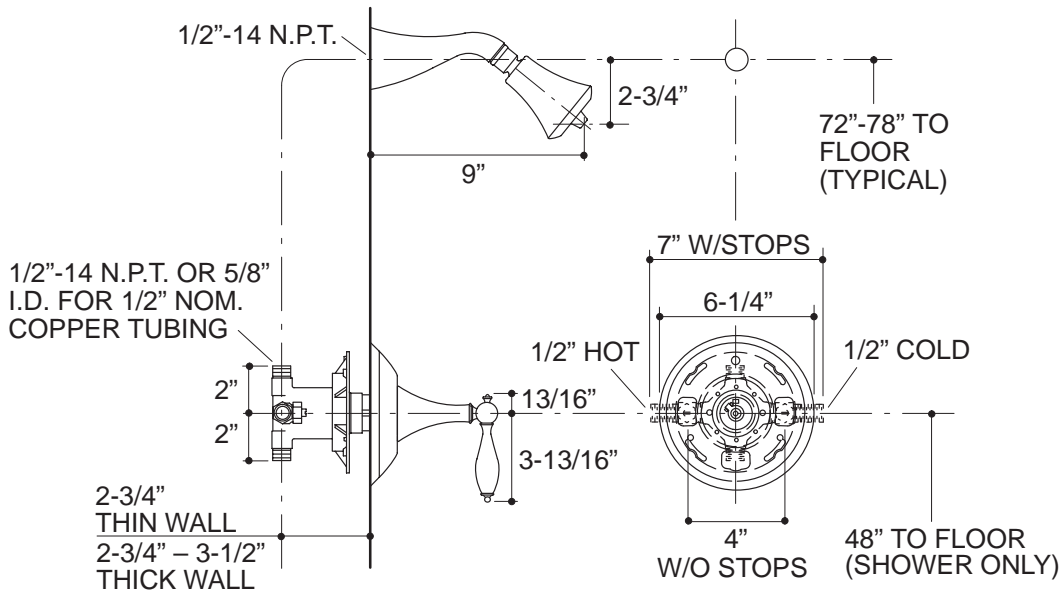
FINIAL TRADITIONAL

INSTALLATION NOTES

Avoid cross-flow conditions. Do not install shut-off device on either valve outlet.

Cap shower outlet if deck-mount spout, diverter, or handshower is connected to spout outlet.

Install straight pipe or tube drop of 7 to 18" with single elbow between valve and wall-mount spout.



PRODUCT DIAGRAM