

Ordering Information

Applicable bath and shower faucet trim:	
With lever handle	K-T15870-4K*
With stacked handle	K-T15870-7K*
*Insert required to complete lever handle:	
with acrylic insert	K-15855-4R
with white porcelain insert	K-15855-4P
with polished chrome insert	K-15855-4M
with polished brass insert	K-15855-4N
*Insert required to complete stacked handle:	
with polished chrome insert	K-15855-7M
with polished brass insert	K-15855-7N
ADA Lever handles are ADA compliant	

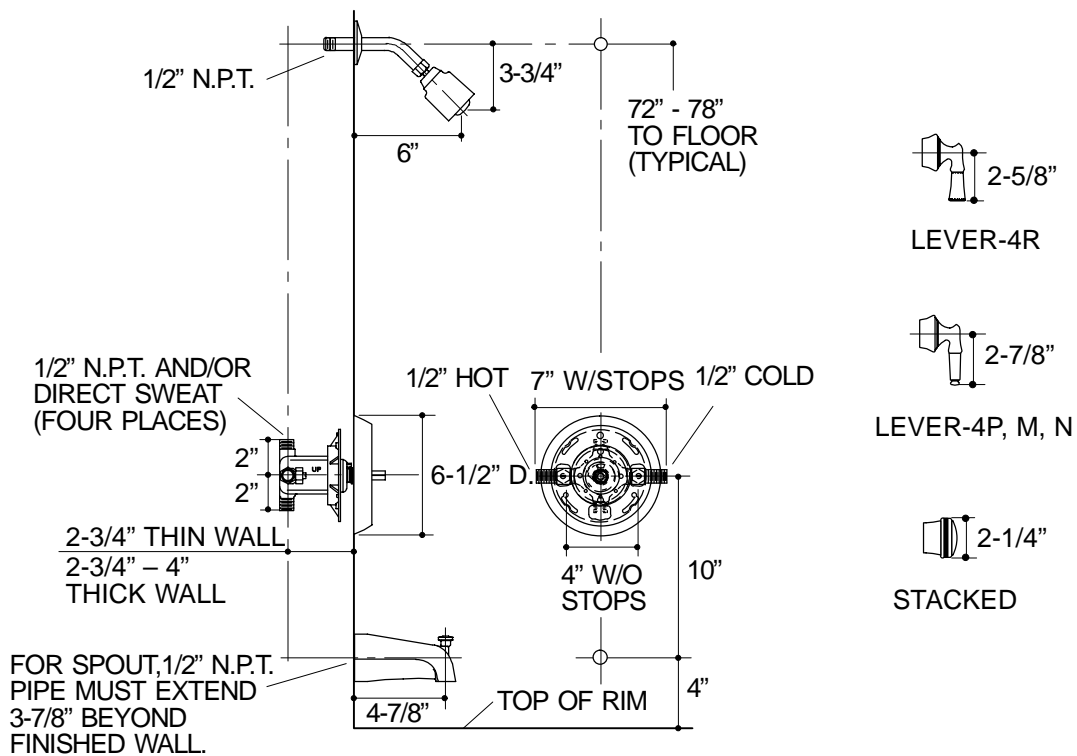
Applicable Rite-Temp valve:		
Less stops	K-15701-K	required**
With stops	K-15701-KS	required**
**Required for configuration illustrated.		

Installation Notes

Avoid cross-flow conditions. Do not install shut-off device on either valve outlet.

Cap shower outlet if deck-mount spout, diverter, or handshower is connected to spout outlet.

Install straight pipe or tube drop of 7 to 18" with single elbow between valve and wall-mount spout.



332

K-T15870, K-15701 Coralais™ Bath and Shower Faucet Trim
114984-1-CA (-)

KOHLER[®]

NOTES: