

**ANGLE STOP**  
**K-7664**

**ALSO K-7666, K-7675, K-7676**

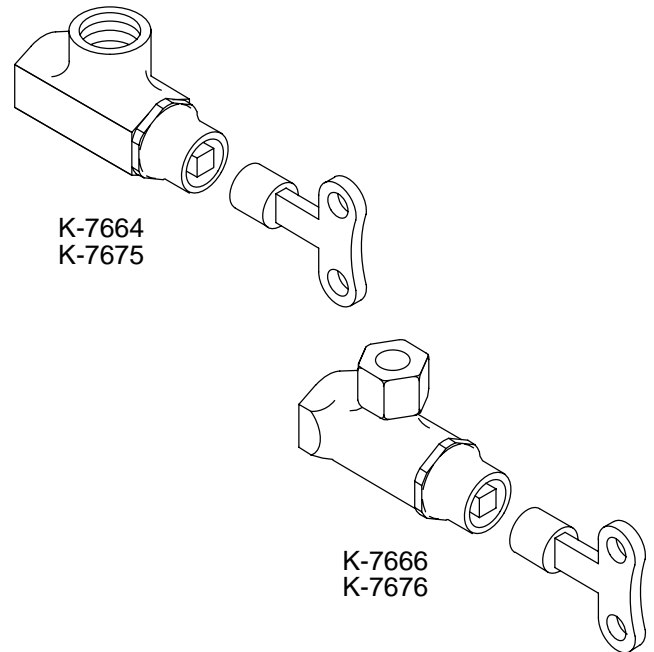
**FEATURES**

- Brass construction
- Compression valve
- Loose key stop

**CODES/STANDARDS APPLICABLE**

Specified model meets or exceeds the following:

- ASME/ANSI A112.18.1M
- IAPMO/UPC (K-7664, K-7675)
- NSF 61



**COLORS/FINISHES**

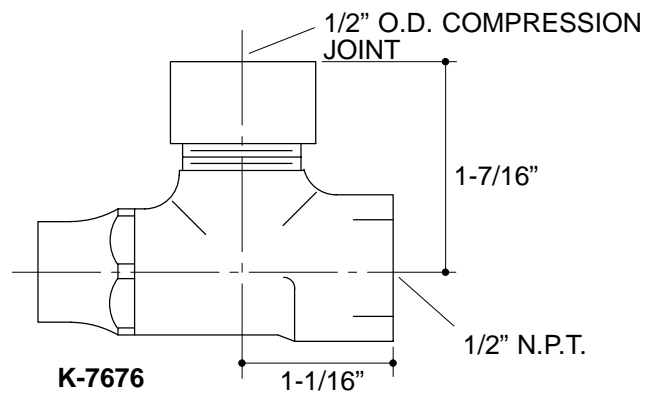
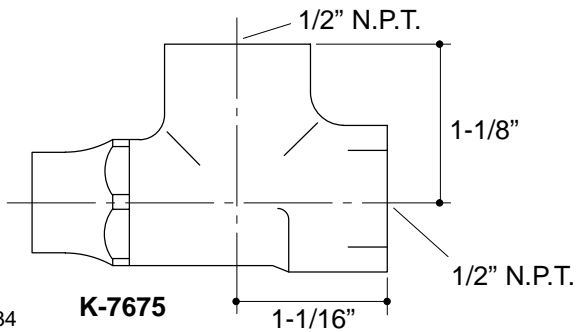
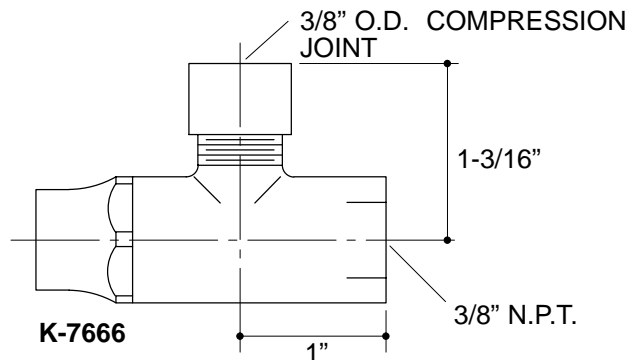
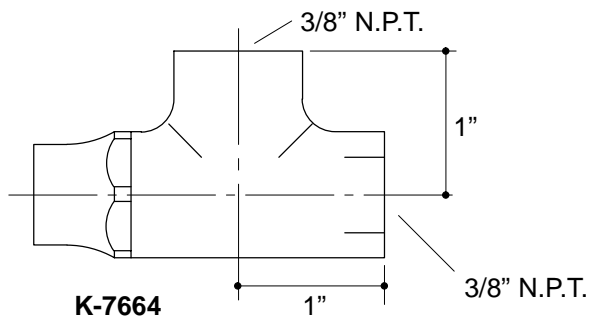
- CP Polished Chrome

**SPECIFIED MODEL:**

Model	Description	
K-7664	3/8" N.P.T. Connection	<input type="checkbox"/> CP
K-7666	3/8" N.P.T. Connection and Compression Fitting for Flexible Riser	<input type="checkbox"/> CP
K-7675	1/2" N.P.T. Connection	<input type="checkbox"/> CP
K-7676	1/2" N.P.T. Connection and Compression Fitting For Flexible Riser	<input type="checkbox"/> CP

**PRODUCT SPECIFICATION:**

Angle stop shall be of brass construction. Product shall include a compression valve, and loose key stop. Optional feature shall be a compression fitting for use with a flexible riser. Stop (single) shall be Kohler Model K-\_\_\_\_\_-\_\_\_\_\_-\_\_\_\_\_.



34

## PRODUCT DIAGRAM