

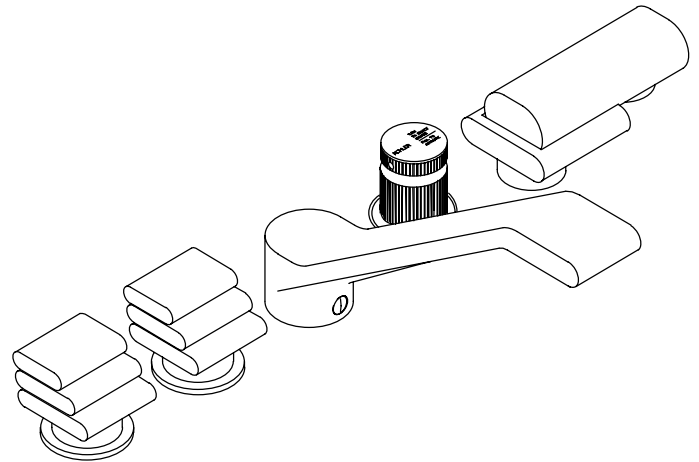
**FEATURES**

- Brass construction
- Deck-mount
- Brass valve bodies
- 3/4" quarter-turn washerless ceramic disc valves
- High-flow valving
- 9-5/8" bullnose non-diverter spout with slip-fit connection
- Pillows handles
- Pillows handshower
- Three-way diverter valve/vacuum breaker

**CODES/STANDARDS APPLICABLE**

Specified model meets or exceeds the following:

- ASME/ANSI A112.18.1M
- California Energy Commission
- Canadian Standards Association (CSA)
- Energy Policy Act of 1992
- NSF 14



**COLORS/FINISHES**

- PB Polished Brass
- SC Satin Chrome

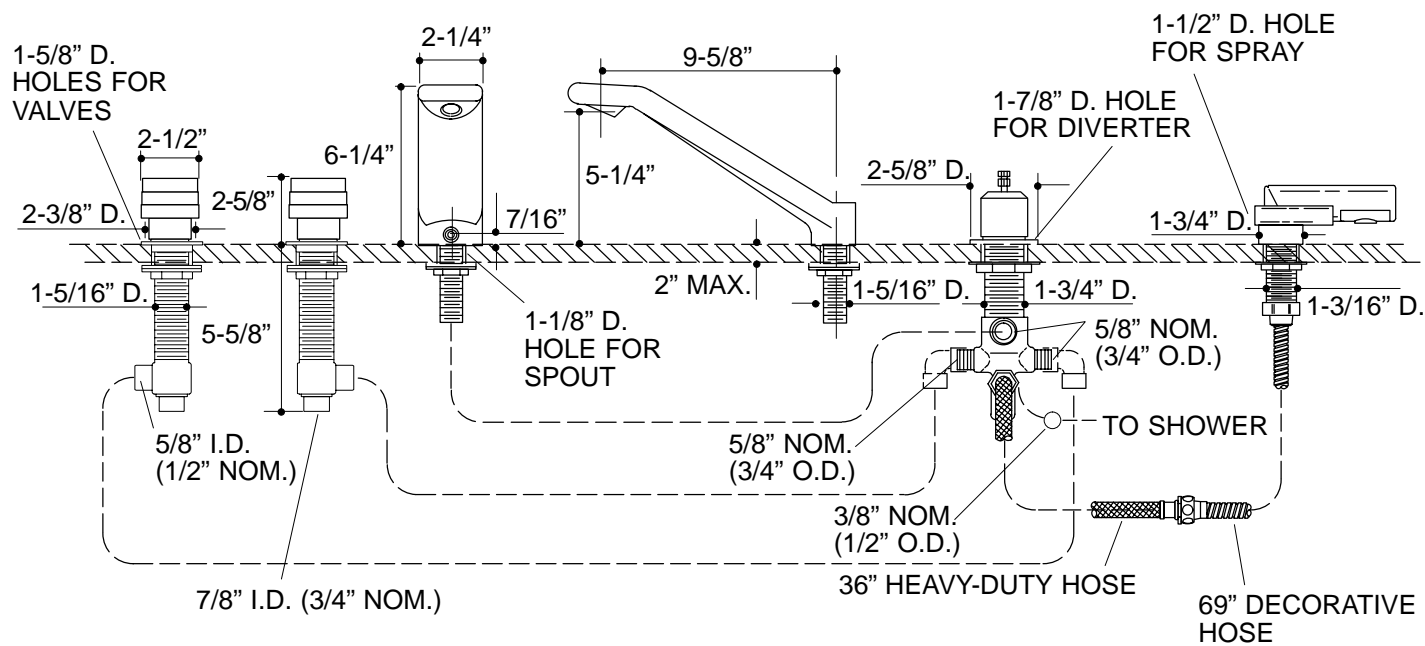
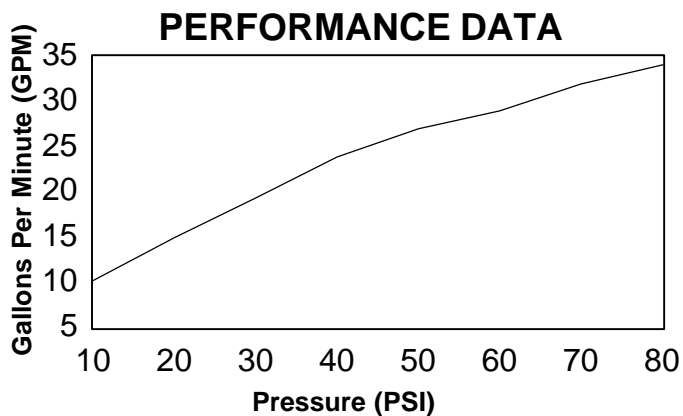
**SPECIFIED MODEL:**

Model	Description		
K-7936-2	Pillows Deck-Mount High-Flow Bath Faucet with Handshower	<input type="checkbox"/> PB	<input type="checkbox"/> SC

**PRODUCT SPECIFICATION:**

Two-handle deck-mount high-flow faucet with handshower shall be of brass construction. Faucet shall feature brass valve bodies. Faucet shall feature 3/4" quarter-turn washerless ceramic disc valves, assuring positive handle stop positioning. High-flow valving allows water to flow 25-30 gpm at 45 psi. Product shall include 9-5/8" bullnose non-diverter spout with slip-fit connection, Pillows handles, Pillows handshower, and three-way diverter valve/vacuum breaker. Faucet shall be Kohler Model K-7936-2-\_\_\_\_\_.

# PILLOWS™



## PRODUCT DIAGRAM