

**SINK GOOSENECK SPOUT**  
**K-13782**  
**ALSO K-13786**

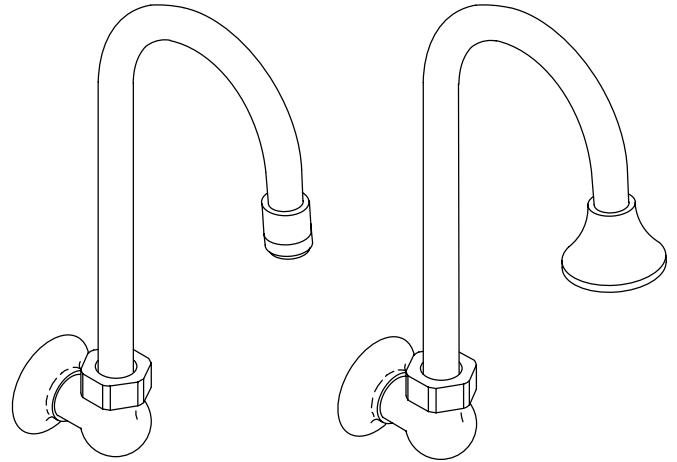
**FEATURES**

- Brass construction
- 5" gooseneck spout
- 6-5/8" back of sink to spout outlet
- 2.5 gallons per minute
- Flange

**CODES/STANDARDS APPLICABLE**

Specified model meets or exceeds the following:

- ASME/ANSI A112.18.1M
- Energy Policy Act of 1992 (K-13782)
- IAPMO/UPC
- NSF 61



K-13782

K-13786

**COLORS/FINISHES**

- CP Polished Chrome

**SPECIFIED MODEL:**

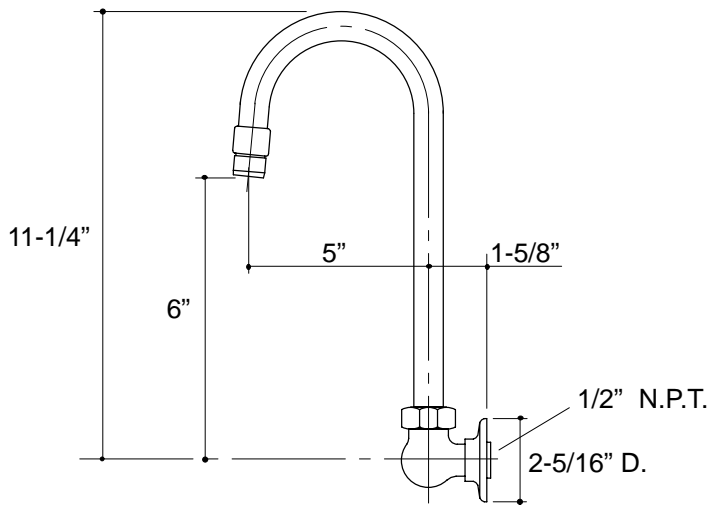
Model	Description	
K-13782	With Standard Aerator	<input type="checkbox"/> CP
K-13786	With Rosespray	<input type="checkbox"/> CP

**PRODUCT SPECIFICATION:**

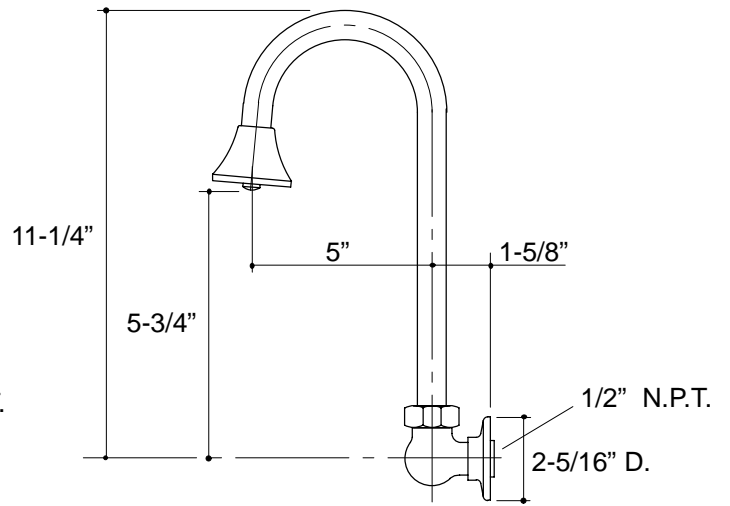
Fixture-mount gooseneck sink spout shall be of brass construction. Spout shall be available with standard or rosespray aerator. Product shall include 5" gooseneck spout, 6-5/8" back of sink to spout outlet, flange, and 1/2" internal N.P.T. connection. Product shall be Kohler Model K-\_\_\_\_\_-CP.



**K-13782**



**K-13786**



316

### PRODUCT DIAGRAM