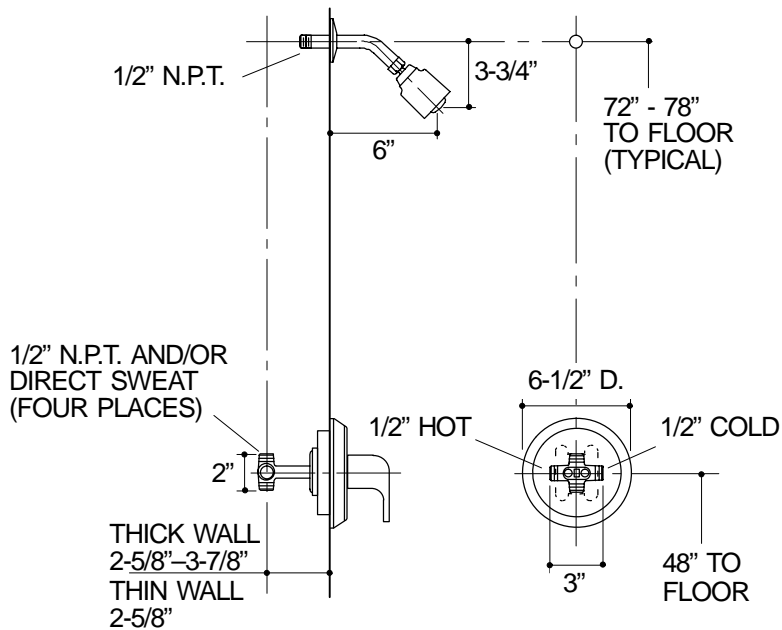


Ordering Information

Applicable product less screwdriver stops:	
Shower faucet	K-15114-4
ADA	Lever handle is ADA compliant



332

K-15114-4 Coralais™ Shower Faucet
 115325-1-AA (9619)

NOTES: