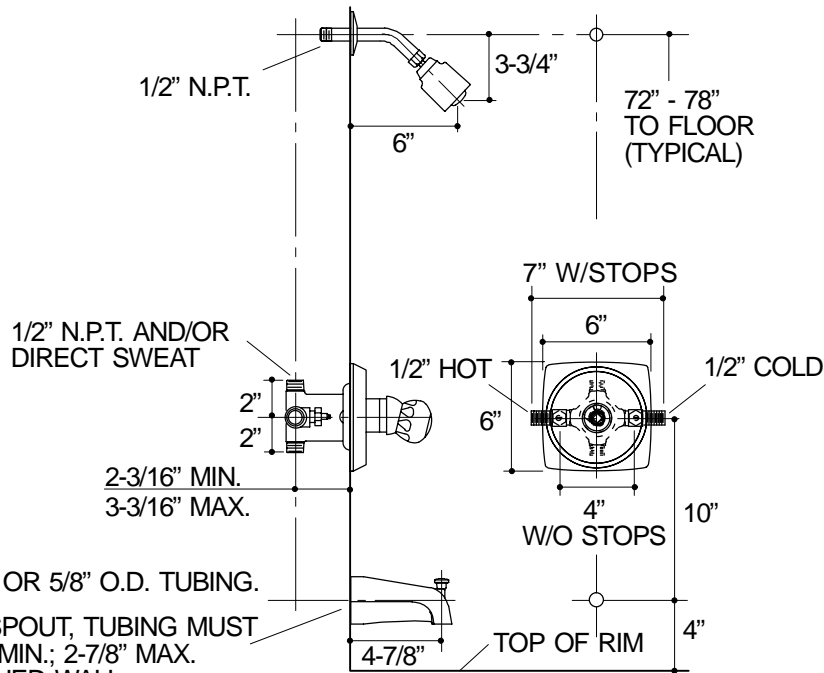


Ordering Information

Applicable product less screwdriver stops:	
Bath and shower	K-15132
Bath and shower with slip-fit spout	K-15132-S
Applicable product with screwdriver stops:	
Bath and shower	K-15134
Bath and shower with slip-fit spout	K-15134-S



1/2" N.P.T. PIPE OR 5/8" O.D. TUBING.
FOR SLIP-FIT SPOUT, TUBING MUST
EXTEND 1-1/2" MIN.; 2-7/8" MAX.
BEYOND FINISHED WALL.

FOR N.P.T. SPOUT, PIPE MUST EXTEND
3-7/8" BEYOND FINISHED WALL.