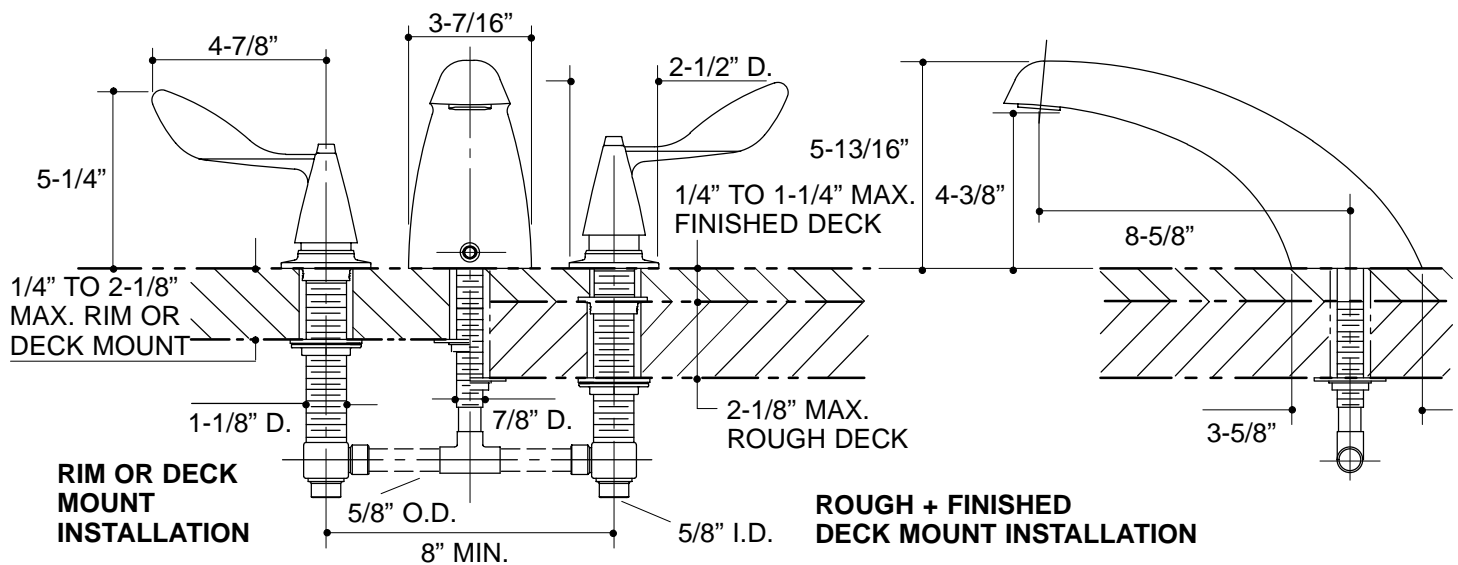


Ordering Information

| | | |
|--|------------|------------|
| Applicable faucet: | | |
| Deck mount* | K-T13313-5 | |
| *Valve K-300-K must be ordered to complete faucet. | | |
| Applicable valve system only: | | |
| 1/2" valve system | K-300-K-NA | required** |
| **Required for configuration illustrated. | | |
| ADA Wristblade handles are ADA compliant | | |



316

K-T13313-5, K-300-K Finesse™ Bath Faucet
115453-1-AA (9619)

NOTES: