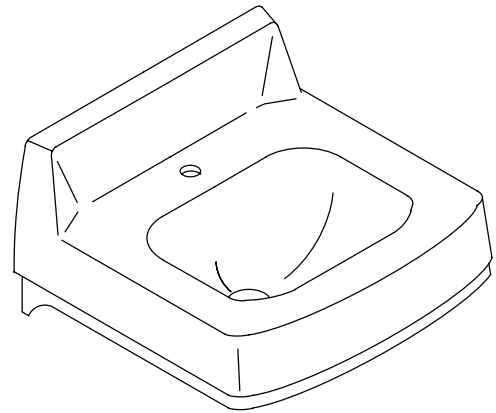


#### FEATURES

- 20-3/4" x 18-1/4"
- Vitreous china
- Wall-mount
- Drilled center hole
- With overflow
- With hanger
- Drilled for concealed arm carrier and fixture-supported knee control fitting



#### CODES/STANDARDS APPLICABLE

Specified model meets or exceeds the following:

- ASME/ANSI A112.19.2M
- IAPMO/UPC
- Canadian Standards Association (CSA)
- State of Massachusetts

#### COLORS/FINISHES

- 0 White

#### Accessories:

- CP Polished Chrome
- NA None Applicable

#### SPECIFIED MODEL:

Model	Description	Colors/Finishes
K-12643	Single-hole lavatory	<input type="checkbox"/> 0 White
<b>Optional Accessories</b>		
K-1808-P	12" brackets (pair)	<input type="checkbox"/> NA
K-13715	Knee control fitting	<input type="checkbox"/> CP

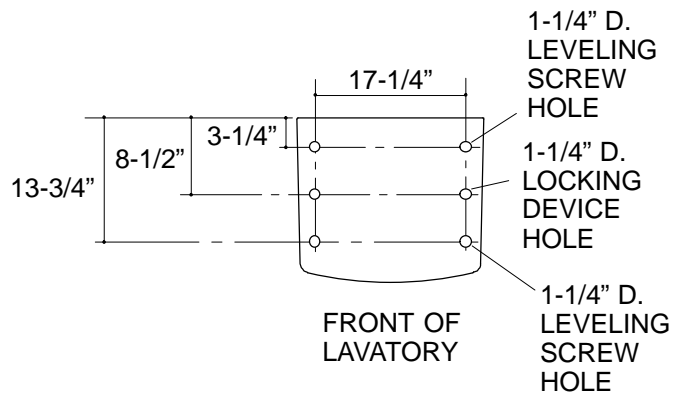
#### PRODUCT SPECIFICATION:

The lavatory with back shall be 20-3/4" in length and 18-1/4" in width. Lavatory shall be made of vitreous china. Lavatory shall be wall-mount with hanger. Lavatory shall have center hole drilling. Lavatory shall have overflow. Lavatory shall be drilled for concealed arm carrier and fixture-supported knee control fitting. Lavatory shall be Kohler Model K-12643-\_\_\_\_\_.

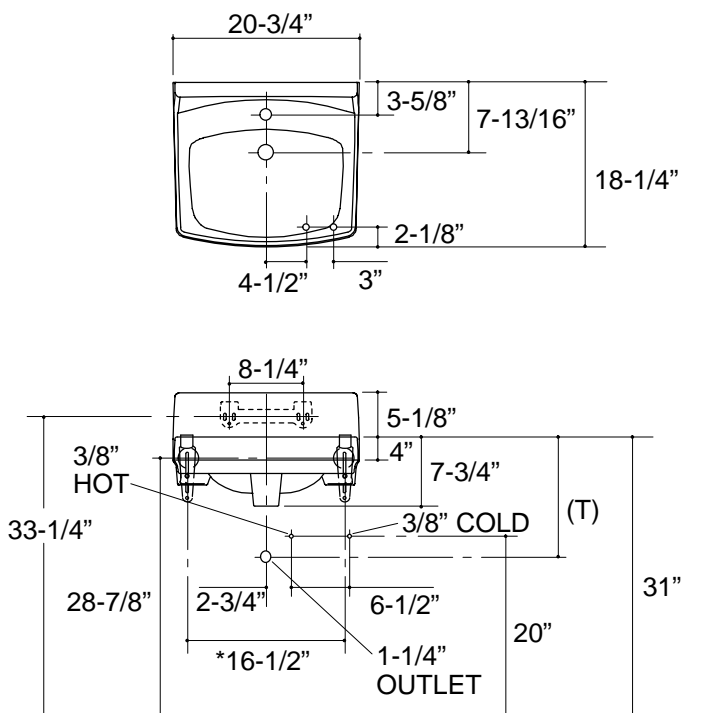
## PRODUCT INFORMATION

ADA compliant.			
Fixture*:		basin area	water depth
Lavatory		15" x 10"	3-1/4"
Outlet	1-3/4" D.		
*Approximate measurements for comparison only.			
Holes	<b>K-12643</b>		
Spout	1-3/8" D.		
Included Components:			
Hanger		64839	
Supplied hanger not used with concealed arm carrier.			

### CONCEALED ARM HOLE LOCATIONS



<b>Roughing-In Notes</b>
*Dimensions from centerline to centerline of brackets.
(T) Grid drain 12-1/2".
(S) 14" (Based on 12" riser which may require cutting).



.75<116

## PRODUCT DIAGRAM