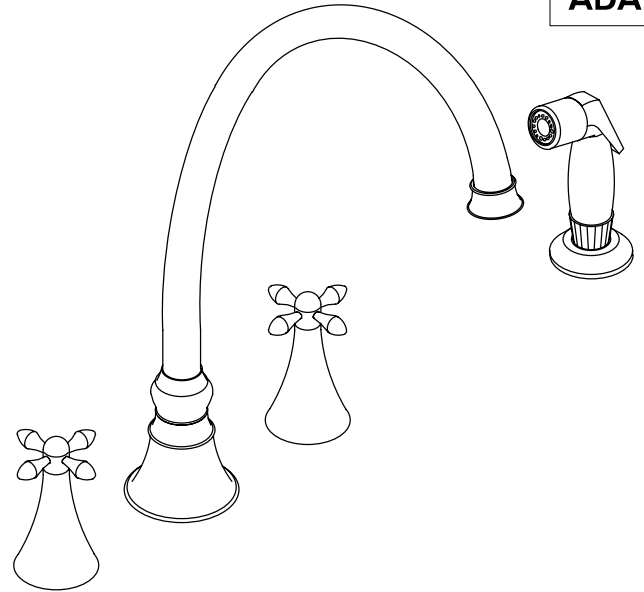


**FEATURES**

- Brass construction
- For 8" centers
- Brass valve bodies
- Quarter-turn washerless ceramic disc valves
- 9-3/16" swing spout
- 2.2 gallons per minute
- Cross handles
- White handspray

ADA



**CODES/STANDARDS APPLICABLE**

Specified model meets or exceeds the following:

- ASME/ANSI A112.18.1M
- Energy Policy Act of 1992
- IAPMO/UPC
- NSF 61

**COLORS/FINISHES**

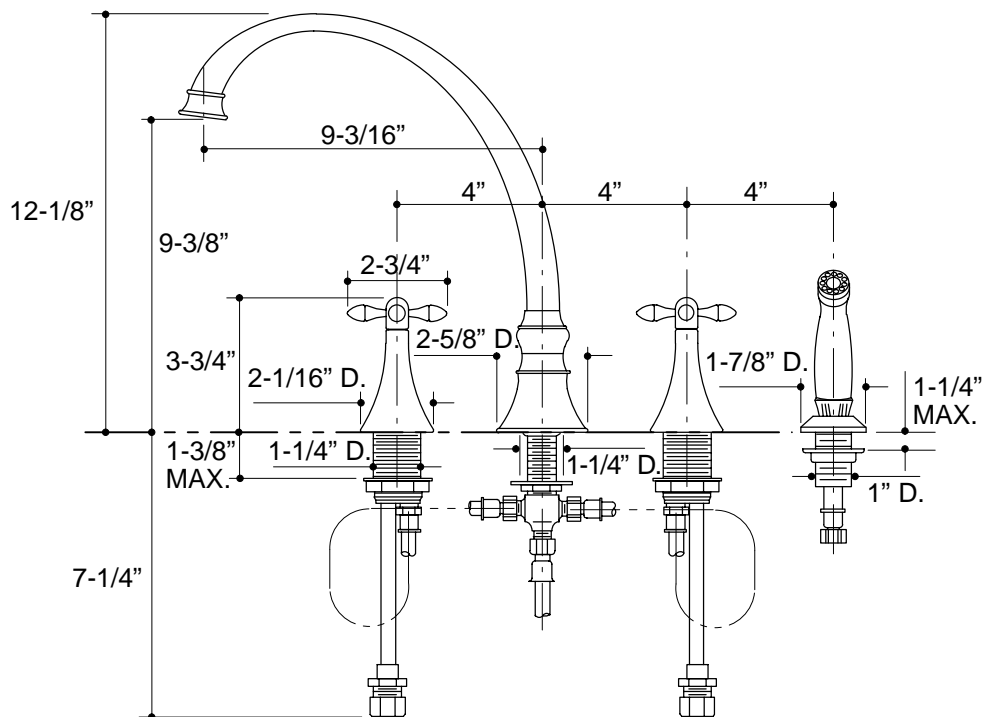
- Other Refer to Faucets Price Book for additional finishes

**SPECIFIED MODEL:**

Model	Description	
K-377-3	Finial Fundamentals Kitchen Sink Faucet	<input type="checkbox"/> Other_____

**PRODUCT SPECIFICATION:**  
Two-handle kitchen sink faucet shall be of brass construction. Faucet shall feature brass valve bodies. Faucet shall feature quarter-turn washerless ceramic disc valves, assuring positive handle stop positioning. Product shall include 8" centers, 9-3/16" swing spout, cross handles, and white handspray. Faucet shall be Kohler Model K-377-3-\_\_\_\_\_.

# FINIAL FUNDAMENTALS



316

## PRODUCT DIAGRAM