

### Ordering Information

Applicable product:		
Right outlet	K-12104	shown
Left outlet	K-12103	not shown
Accessories/hardware:		
Drain	K-7161-AF	recommended
Mastershower™ Handshower	K-9500	recommended*
Revival™ valve trim	K-T16117-4A	recommended
Rite-Temp™ valve	K-304-K	recommended
Bath spout	K-6855	recommended
Dome light	K-1570	optional
Focal bypass bath door <b>OR</b>	K-701026	optional
Forum™ bypass bath door <b>OR</b>	K-703012	
Helios™ bath door <b>OR</b>	K-704010	
Helios™ bath screen	K-704012	
* Dimensions illustrated		

### Product Information

<b>ADA compliant</b>			
Fixture*:	basin area	top area	weight
Bathing well	1118 x 584mm	1295 x 660mm	91 Kg.
	water depth	capacity	
To overflow	330mm	208 litres	
Configuration			1-piece
Drain Outlet			Ø57mm
* Approximate measurements for comparison only.			

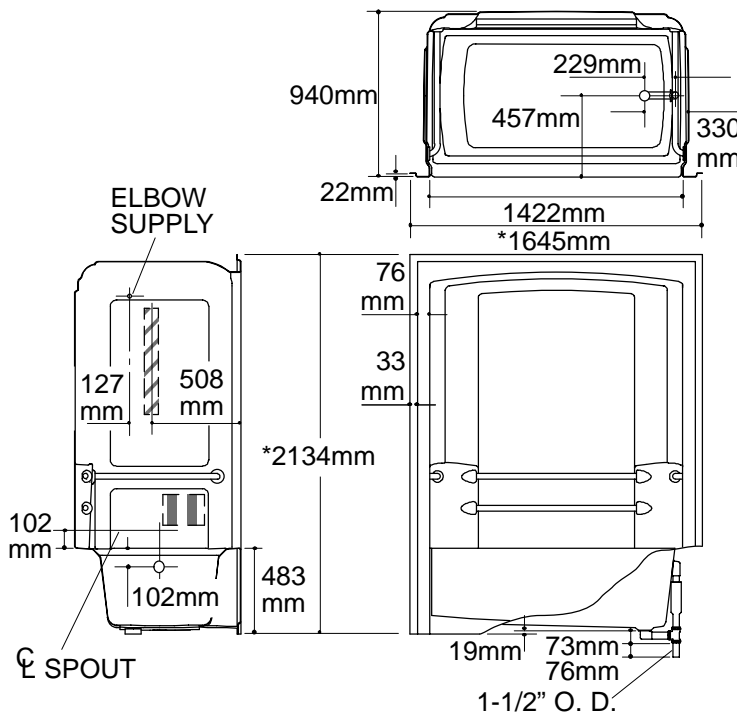
### Installation Notes

Refer to installation instructions included with fixture before beginning installation.

Fixture not drilled for supply fittings.

Shimming may be required to level fixture.

For optimum accessibility, specify faucets and fittings to install and operate within the control area shown.



.75<132

### Roughing-In Notes

Fixture conforms to ANSI Standard Z124.2. All dimensions are nominal.

\*Recess opening must be 1651 x 2140mm.

No change in measurements if connected with drain illustrated.

Stud opening tolerance (+ 6mm – 0mm). When fire rated wall is specified, dimensions are to the inside of the wall board. Some shimming between stud frame and fixture may be required.

Provide clear floor space per ANSI A117.1, and as shown.

	Represents control area for faucets.
	Represents 610mm wall mount slide bar.
	Represents clear floor space for 914 x 1524mm side entrance.
	Represents clear floor space for 1219 x 1524mm front entrance.