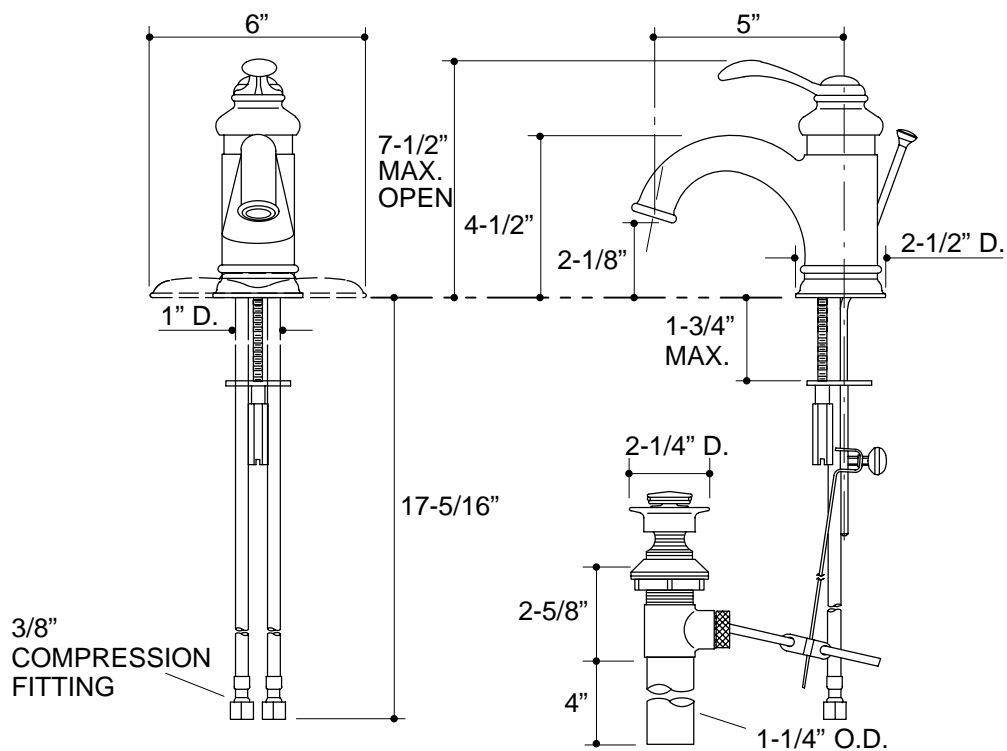


Ordering Information

Applicable faucet:	
With 6" escutcheon plate and drain	K-12181
With 6" escutcheon plate and plastic drain	K-12181-D
With single hole escutcheon ring and drain	K-12182
With single hole escutcheon ring and plastic drain	K-12182-D
ADA Lever handle is ADA compliant	



316

K-12181, K-12182 Fairfax Lavatory Faucet
116130-1-BA (A)

NOTES: