

Ordering Information

Accessories/hardware:		
Drain	K-7161-AF	recommended
Removable pillow	K-1491	optional

Product Information

Fixture*:	basin area	top area	weight
Bathing well	49" x 25"	66" x 29"	80 lbs.
	water depth	capacity	
To overflow	13-1/2"	78 gal.	

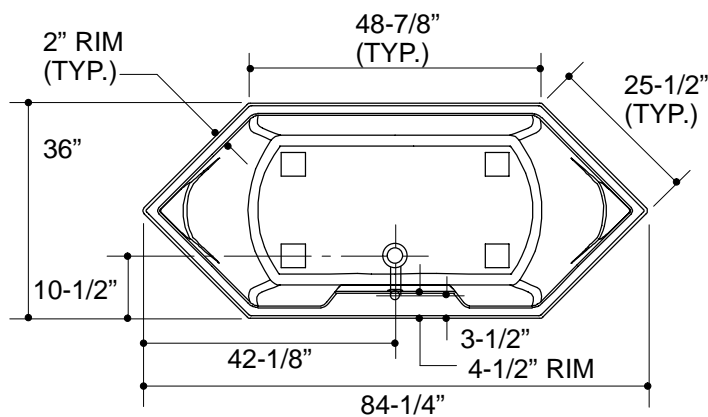
* Approximate measurements for comparison only.

Included Components:	
Cutout template	116165-7

Installation Notes

Refer to installation instructions included with fixture before beginning installation.

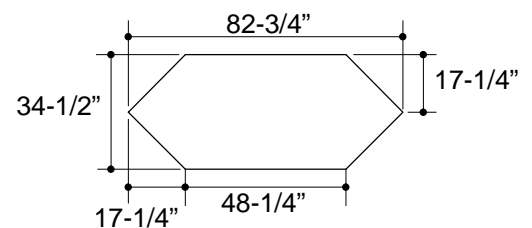
If installing a rim-mount faucet, make sure there is no interference with drain overflow before drilling any holes. Consult local and national codes for minimum air gap requirements if installing a spout on the faucet deck.



Roughing-In Notes

Fixture conforms to ANSI Standard Z124.1. All dimensions are nominal.

No change in measurements if connected with drain illustrated.



CUT-OUT DETAIL

