

Ordering Information

Applicable product:		
Left outlet, integral flange	K-1224-L	shown
Right outlet, integral flange	K-1224-R	not shown
Drop-in rim style	K-1224	not shown
Accessories/hardware:		
Jet trim kit	K-9695	included
Apron	K-1234	optional
Pillow	K-1491	optional
Drain	K-7161-AF	recommended

Required Electrical Service

Dedicated circuit required, protected with Class A Ground-Fault Circuit-Interrupter (GFCI):	
Pump/control	120 V., 15 A, 60 Hz

Product Information

Fixture*:	basin area	top area	weight
Bathing well	48" x 24"	59" x 30"	110 lbs.
	water depth	capacity	
To overflow	14"	67 gal.	

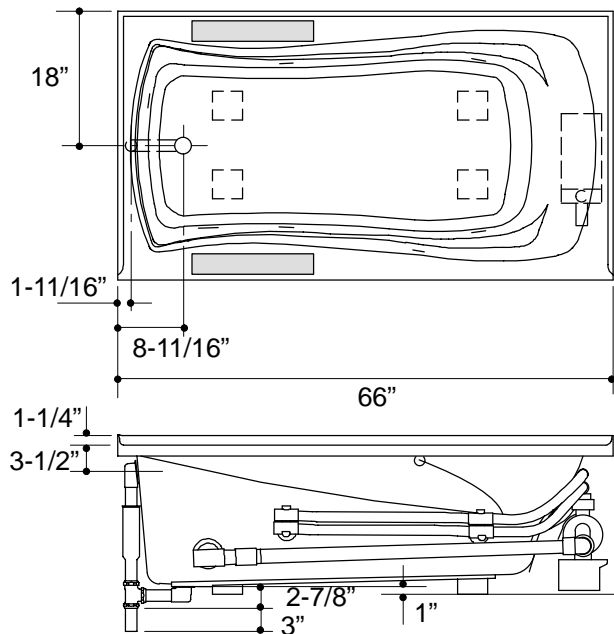
* Approximate measurements for comparison only.

Pump:	HP	V	Hz	A
1-speed	3/4	120	60	10.5

Installation Notes

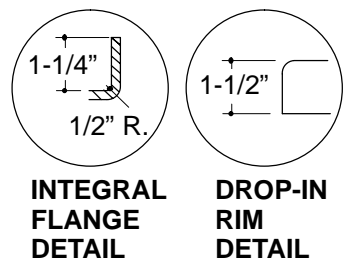
Refer to installation instructions included with fixture before beginning installation.

Each pump is supplied with a grounding type plug-in cord. Locate the outlet behind the whirlpool, and within 24" of the pump.



Roughing-In Notes	
Fixture conforms to ANSI Standard Z124.1. All dimensions are nominal.	
No change in measurements if connected with drain illustrated.	
Cut-out	K-1224 drop-in rim style, 64" x 34"
Minimum access panel:	
Pump/control	20" W x 15" H required
Faucet area	recommended

PUMP/CONTROL ACCESS



1-1/2" O.D.

1.25>132