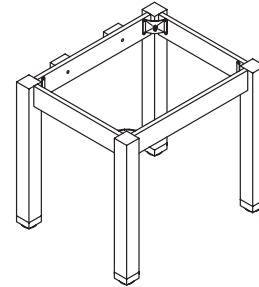


TABLE FRAMES

FEATURES

- 22-3/4" x 17-3/4" x 28" (K-3100), 22-3/4" x 20-3/4" x 32" (K-3101), 34-3/4" x 17-3/4" x 28" (K-3102), 34-3/4" x 20-3/4" x 32" (K-3103)
- Solid select hard maple
- Vessel and console heights for ease of use
- Modular system allows creativity and flexibility with design layout

K-3100, K-3101, K-3102, K-3103



CODES/STANDARDS APPLICABLE

Specified model meets or exceeds the following:

- None applicable

COLORS/FINISHES

- F1 Sunwash
- F2 Black Forest

Accessories:

- SP Satin Chrome/Polished Chrome
- T6 Ironstone White
- T7 Solar Black
- T8 Shell Beach
- T9 Loam Grey
- ST Stainless Steel

SPECIFIED MODEL:

Model	Description	Module Colors/Finishes	
		<input type="checkbox"/> F1	<input type="checkbox"/> F2
K-3100	22-3/4" x 17-3/4" frame	<input type="checkbox"/> F1	<input type="checkbox"/> F2
K-3101	22-3/4" x 20-3/4" frame	<input type="checkbox"/> F1	<input type="checkbox"/> F2
K-3102	34-3/4" x 17-3/4" frame	<input type="checkbox"/> F1	<input type="checkbox"/> F2
K-3103	34-3/4" x 20-3/4" frame	<input type="checkbox"/> F1	<input type="checkbox"/> F2

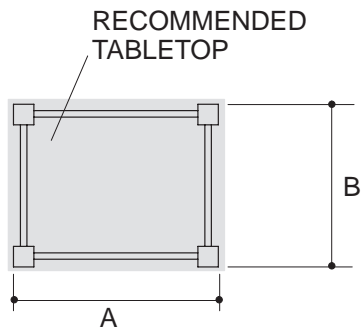
Recommended Accessories						
K-3040	Tabletop (24" x 19")	<input type="checkbox"/> T6	<input type="checkbox"/> T7	<input type="checkbox"/> T8	<input type="checkbox"/> T9	<input type="checkbox"/> ST
K-3041	Tabletop (24" x 22")	<input type="checkbox"/> T6	<input type="checkbox"/> T7	<input type="checkbox"/> T8	<input type="checkbox"/> T9	<input type="checkbox"/> ST
K-3042	Tabletop (36" x 19")	<input type="checkbox"/> T6	<input type="checkbox"/> T7	<input type="checkbox"/> T8	<input type="checkbox"/> T9	<input type="checkbox"/> ST
K-3043	Tabletop (36" x 22")	<input type="checkbox"/> T6	<input type="checkbox"/> T7	<input type="checkbox"/> T8	<input type="checkbox"/> T9	<input type="checkbox"/> ST
K-3044	Tabletop (36" x 19"), for offset lavatory placement	<input type="checkbox"/> T6	<input type="checkbox"/> T7	<input type="checkbox"/> T8	<input type="checkbox"/> T9	<input type="checkbox"/> ST

Optional Accessories on Page 2

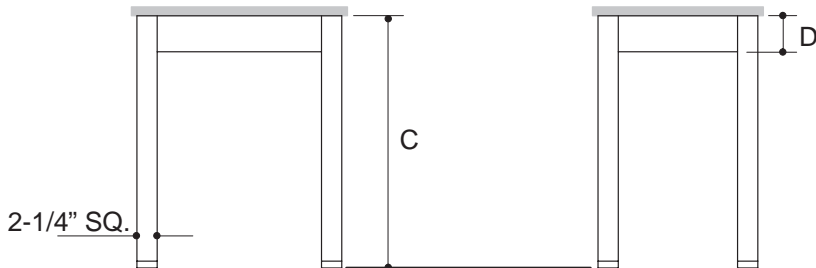
PRODUCT SPECIFICATION:

The table frames shall be 22-3/4" in length, 17-3/4" in width and 28" in height (K-3100), 22-3/4" in length, 20-3/4" in width and 32" in height (K-3101), 34-3/4" in length, 17-3/4" in width and 28" in height (K-3102), 34-3/4" in length, 20-3/4" in width and 32" in height (K-3103). Table frames shall be made of solid select hard maple. Table frames shall be Kohler Model K-_____.

Optional Accessories						
K-3114-00	Shelf (22-3/4" x 17-3/4" frame)	<input type="checkbox"/> T6	<input type="checkbox"/> T7	<input type="checkbox"/> T8	<input type="checkbox"/> T9	<input type="checkbox"/> ST
K-3114-01	Shelf (22-3/4" x 20-3/4" frame)	<input type="checkbox"/> T6	<input type="checkbox"/> T7	<input type="checkbox"/> T8	<input type="checkbox"/> T9	<input type="checkbox"/> ST
K-3114-02	Shelf (34-3/4" x 17-3/4" frame)	<input type="checkbox"/> T6	<input type="checkbox"/> T7	<input type="checkbox"/> T8	<input type="checkbox"/> T9	<input type="checkbox"/> ST
K-3114-03	Shelf (34-3/4" x 20-3/4" frame)	<input type="checkbox"/> T6	<input type="checkbox"/> T7	<input type="checkbox"/> T8	<input type="checkbox"/> T9	<input type="checkbox"/> ST
K-3112-00	Towel bar (11-3/4")					<input type="checkbox"/> SP
K-3112-01	Towel bar (14-3/4")					<input type="checkbox"/> SP



Roughing-In Notes				
	A	B	C	D
K-3100	22-3/4"	17-3/4"	28"	4"
K-3101	22-3/4"	20-3/4"	32"	7"
K-3102	34-3/4"	17-3/4"	28"	4"
K-3103	34-3/4"	20-3/4"	32"	7"



.75<116

PRODUCT DIAGRAM