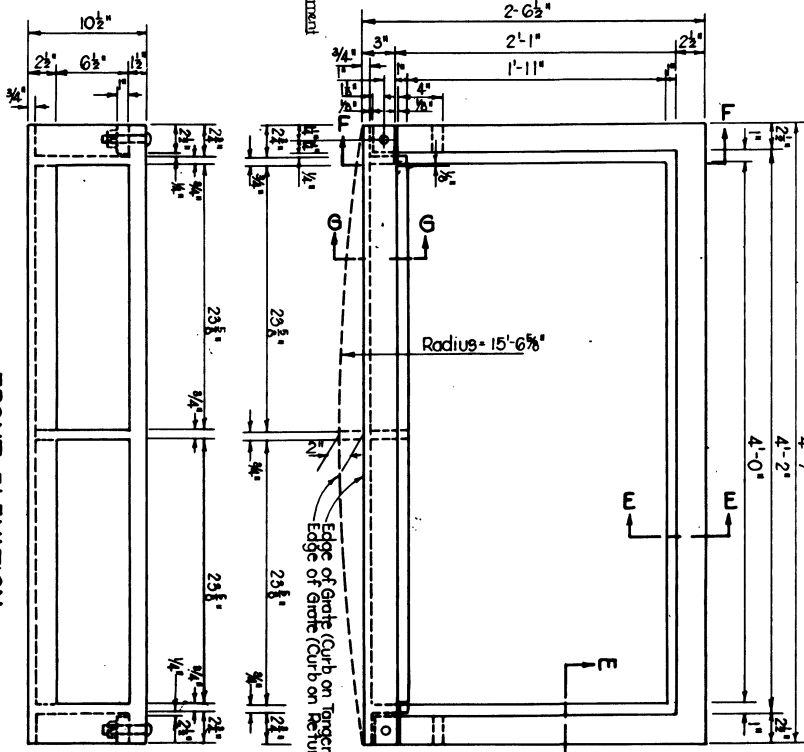
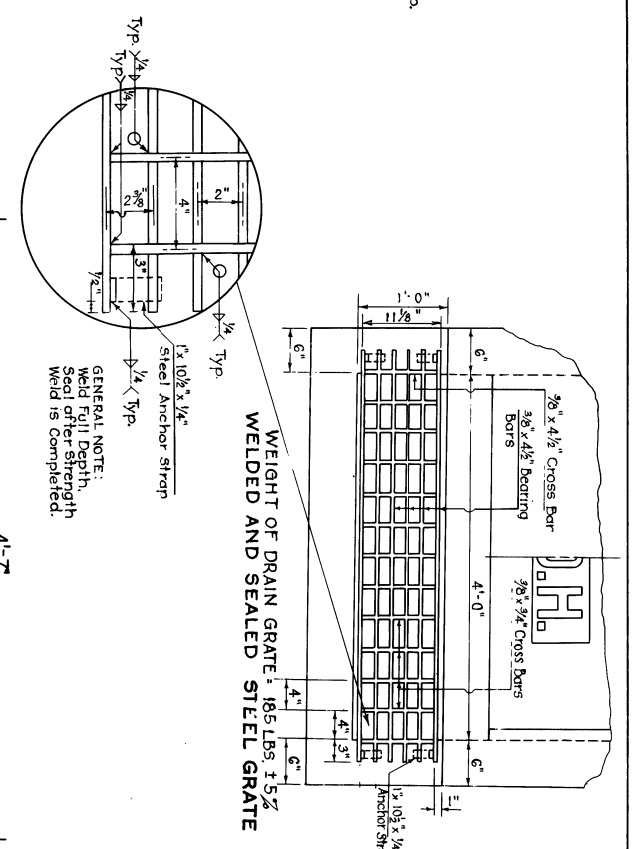
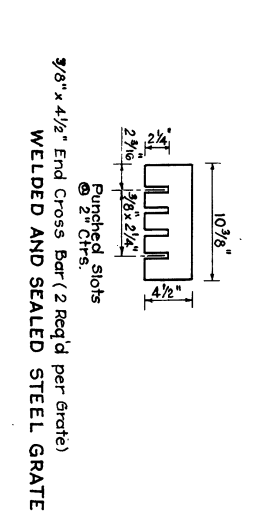
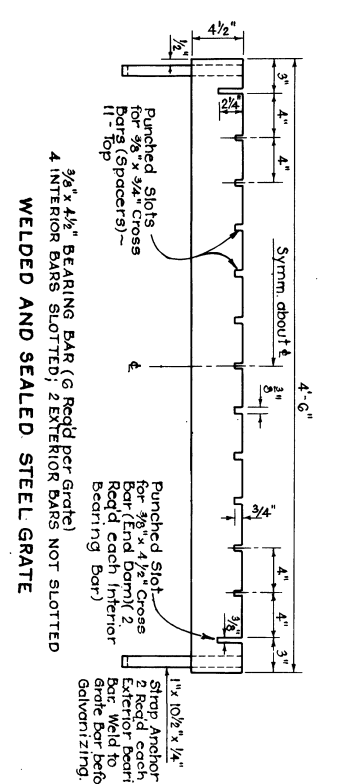
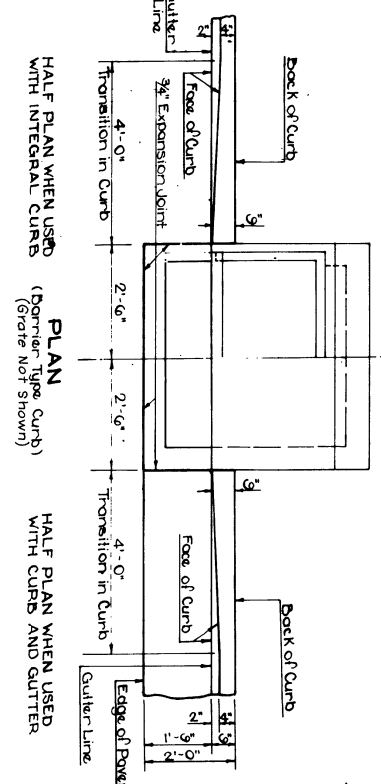


Center to Center of Bearing Bars Equals 2'-0"

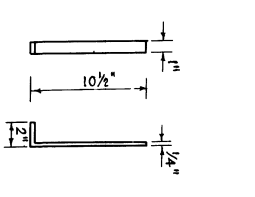
WEIGHT OF DRAIN GRATE - 176 LBS. ± 5%



FRONT ELEVATION AND GRATE

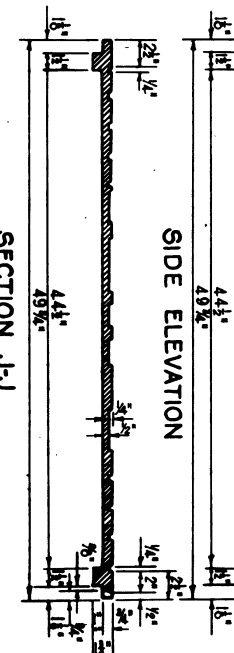
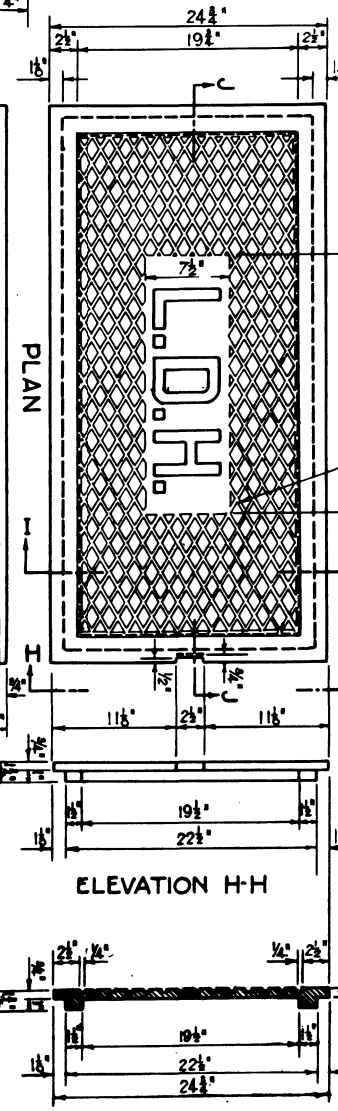
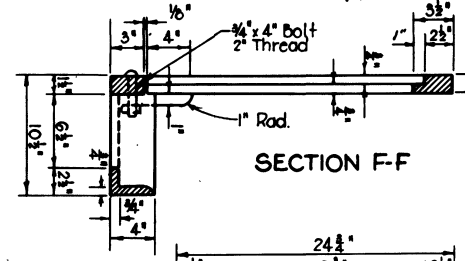
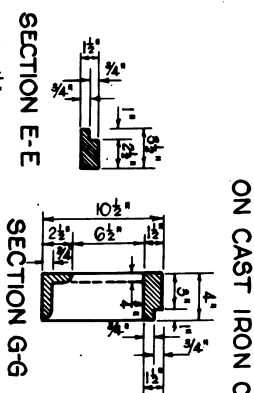
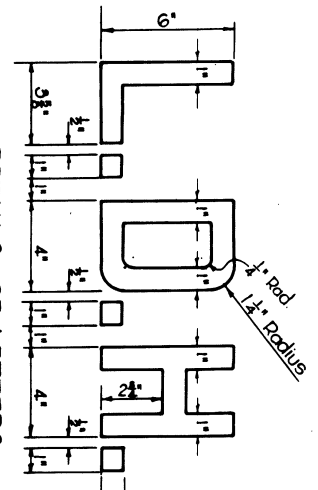
Weight of Cast Iron Frame - 129 Lbs. ± 5%

Weight of Cast Iron Grate - 160 Lbs. ± 5%



DETAILS OF STEEL ANCHOR STRAP

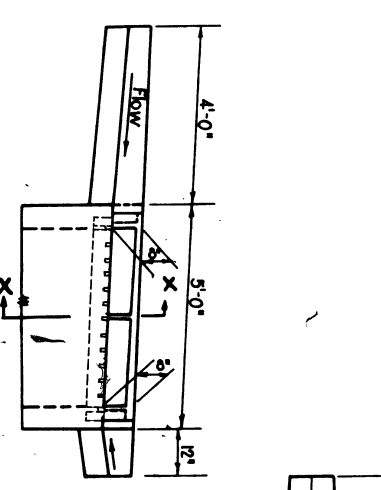
(4 REQUIRED PER GRATE)



SECTION J-J

DETAILS OF CAST IRON COVER

Weight - 266 Lbs. ± 5



SECTION X-X

Showing Sump in Pavement and Gutter

Castings to be ASTM Class 30

Note: The Contractor will not pour above the bottom of the slab until the pouring adjacent to the basin has been completed.

NO.	REVISIONS	BY	DATE
1	As noted on Drawing System W.T.D.	W.E.M.	5/23/71
2	Revised Grate	W.E.M.	5/27/71
3	Revised Gutter Grate	W.E.M.	5/27/71
4	Revised Section Added	W.E.M.	5/27/71
5	Curb Section Added	W.E.M.	5/27/71

DATE: Aug. 22, 1971

STATE OF LOUISIANA

DEPARTMENT OF HIGHWAYS

STANDARD PLAN

R.C. CATCH BASIN

CURB & GUTTER GRATE

8" CURB EXPOSURE