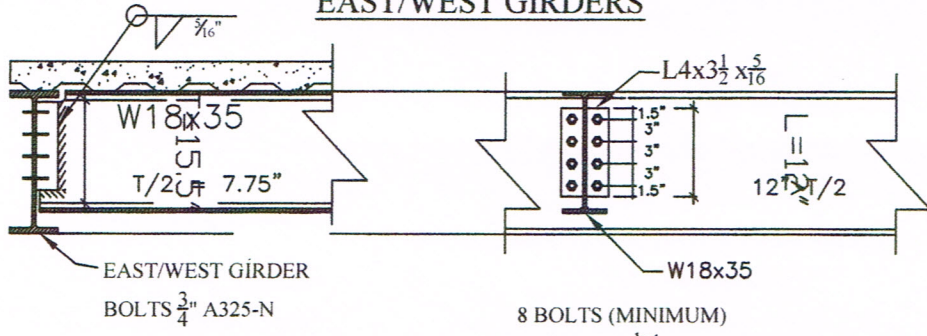
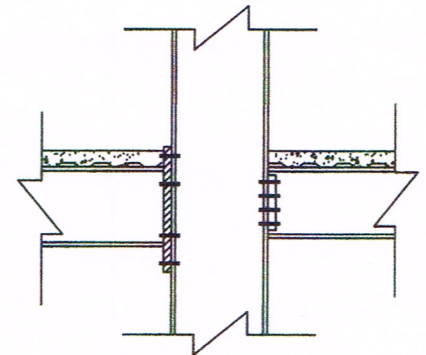


**NORTH/SOUTH BEAMS PINN CONNECTION TO  
 EAST/WEST GIRDERS**



8 BOLTS (MINIMUM)  
 ASD  $8 (10.6 \frac{k}{bolt}) = 84k > 29.0k$   
 LRFD  $8 (15.9 \frac{k}{bolt}) = 127k > 41.2k$

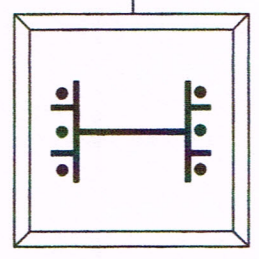
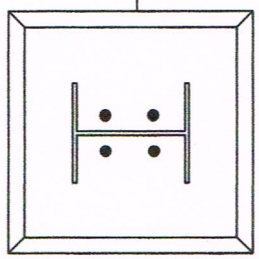
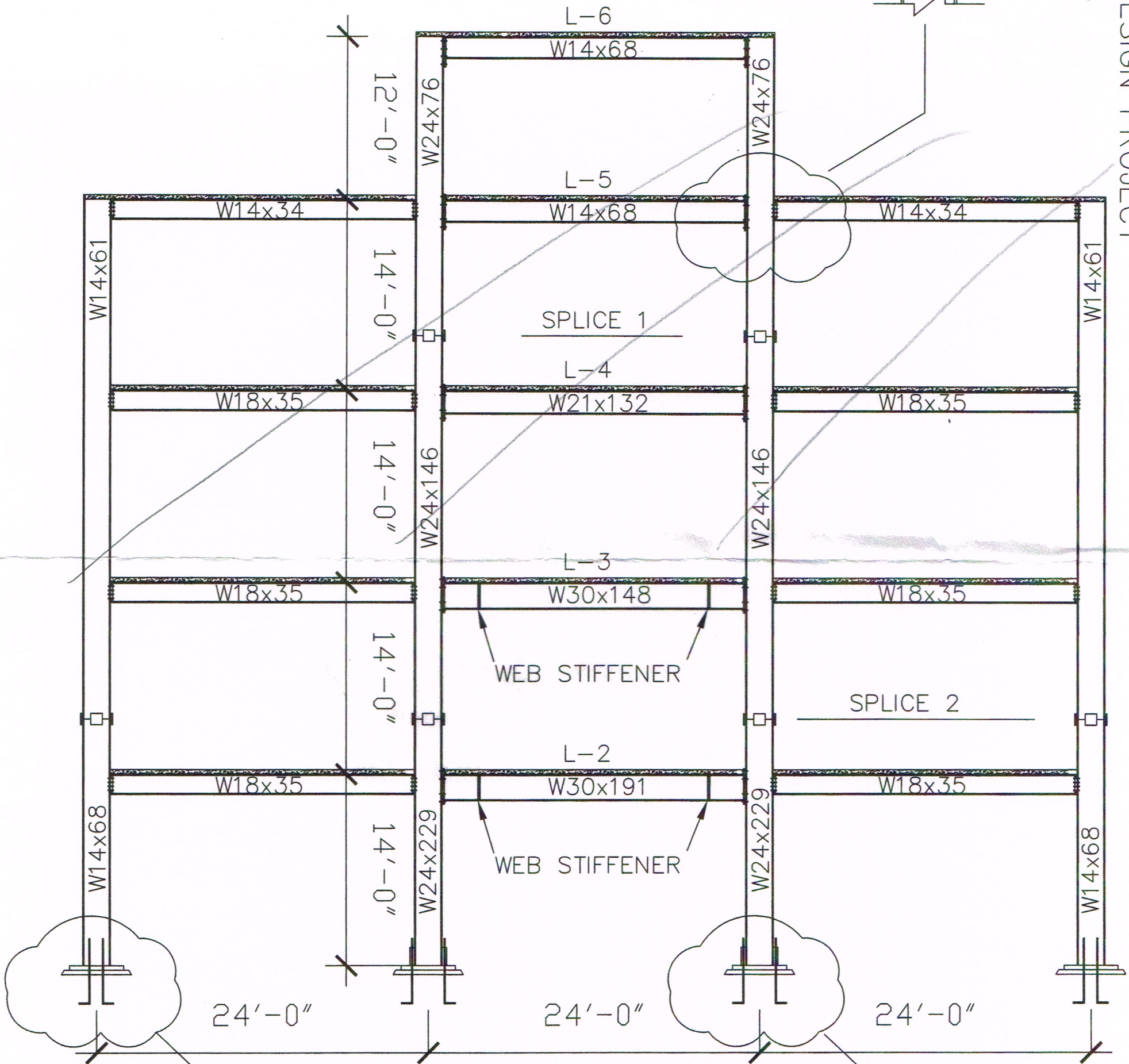


(P)

(M)

(N)

(O)



**FRAMING ELEVATION**  
 SCALE: 1/8"=1'  
 FRAMING LINE 2 & 5

