

# KITCHEN ELEVATION

1/4" = 1'-0"

HALL COMPLY WITH 4.16.  
 E FOR WATER CLOSETS NOT IN STALLS SHALL  
 RANGED TO ALLOW EITHER A LEFT-HANDED  
 SHALL BE 17" TO 19" (430mm TO 485mm),  
 SHALL NOT BE SPRUNG TO RETURN TO A  
 LOSETS NOT LOCATED IN STALL SHALL COMPLY  
 WATER CLOSET SHALL BE 36" (915mm) MINIMUM.  
 SHALL BE HAND OPERATED OR AUTOMATIC AND  
 VALVES SHALL BE MOUNTED ON THE WIDE  
 ) ABOVE THE FLOOR.  
 SHALL BE INSTALLED WITHIN REACH, AS SHOWN  
 THAT DO NOT PERMIT CONTINUOUS PAPER

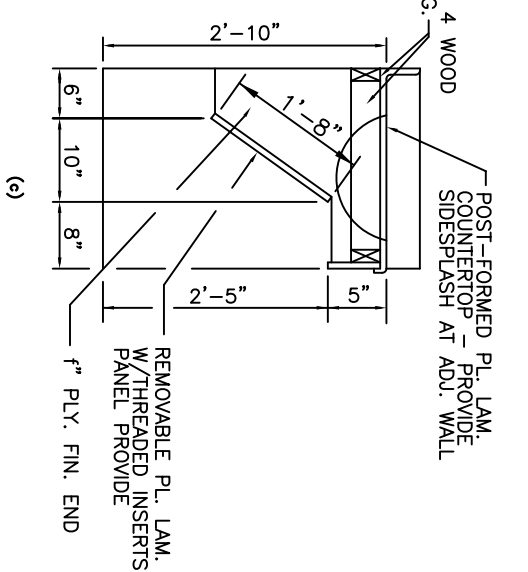
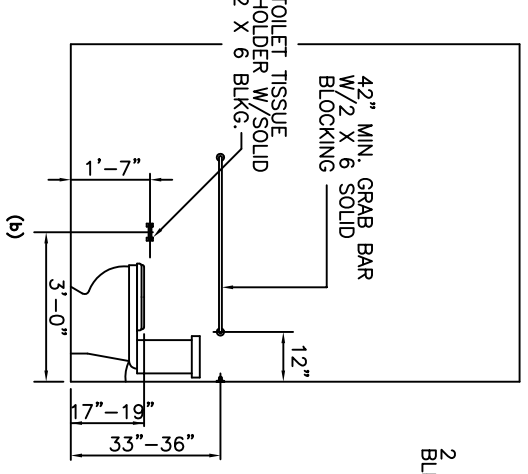
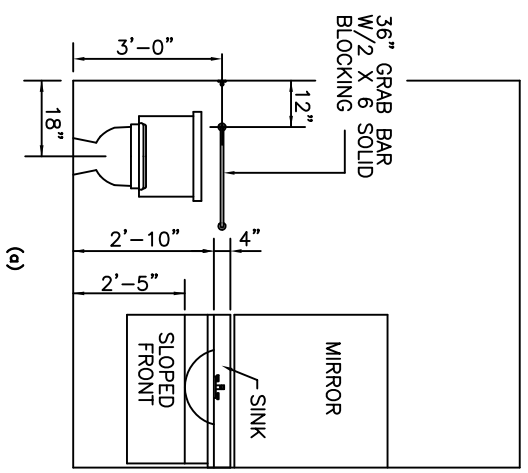


FIG. 31  
 LAVATORY & WATER CLOSET CLEARANCES

- 4.23.5 CLEAR FLOOR S 1220mm) COMPLYING 1 FORWARD APPROACH. EXTEND A MAXIMUM OF
- 4.23.6 EXPOSED PIPES SHALL BE INSULATED O SURFACES UNDER SINKS
- 4.23.7 FAUCETS. FAL TOUCH-TYPE, OR ELECT
- 4.25 STORA
- 4.25.1 GENERAL. FIXI DRAWERS REQUIRED TO
- 4.25.2 CLEAR FLOOR SI 1220mm) COMPLYING V BY A PERSON USING A
- 4.25.3 HEIGHT. ACC REACH RANGES SPECIFI 54" (1370mm)
- 4.25.4 HARDWARE. 4.27.4 TOUCH LATCHES
- 4.26 HANDR
- 4.26.1 GENERAL.