

SIGN#	SIGN TYPE	SIGN DESCRIPTION	ACTION
E02	ALST.CL.RW.B_12	12"h Illuminated Blue Day/White Night Raceway Channel Letters 1' 8-5/8"oah x 7' 0-7/8"oal (12.25 SF)	Remove & Replace Sign
E03	ALST.WVT_C	1st Surface Window Vinyl Treatment "C" Swoosh Version	Remove & Replace Sign

**PROPOSED SIGNAGE PHOTO**




**EXISTING SIGNAGE PHOTO**

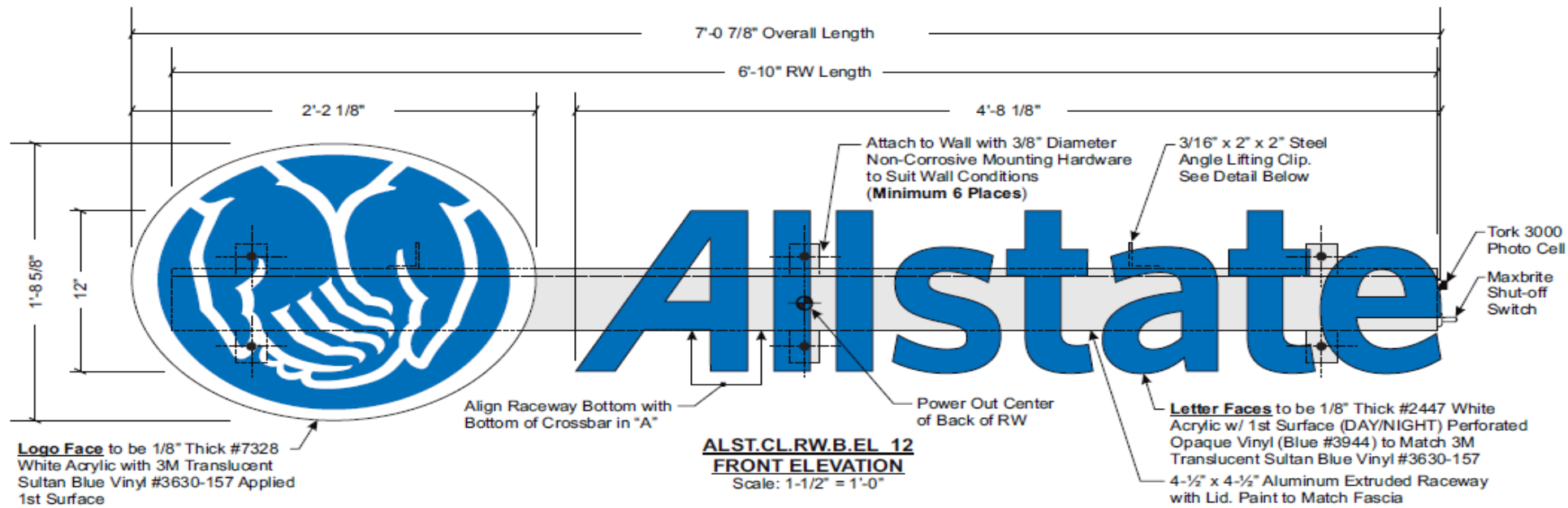


- This sign is designed to with stand 130MPH wind load
- This sign will contain a UL label
- This sign is to be installed using 3/8" thru-bolts or appropriately sized fasteners as necessary.

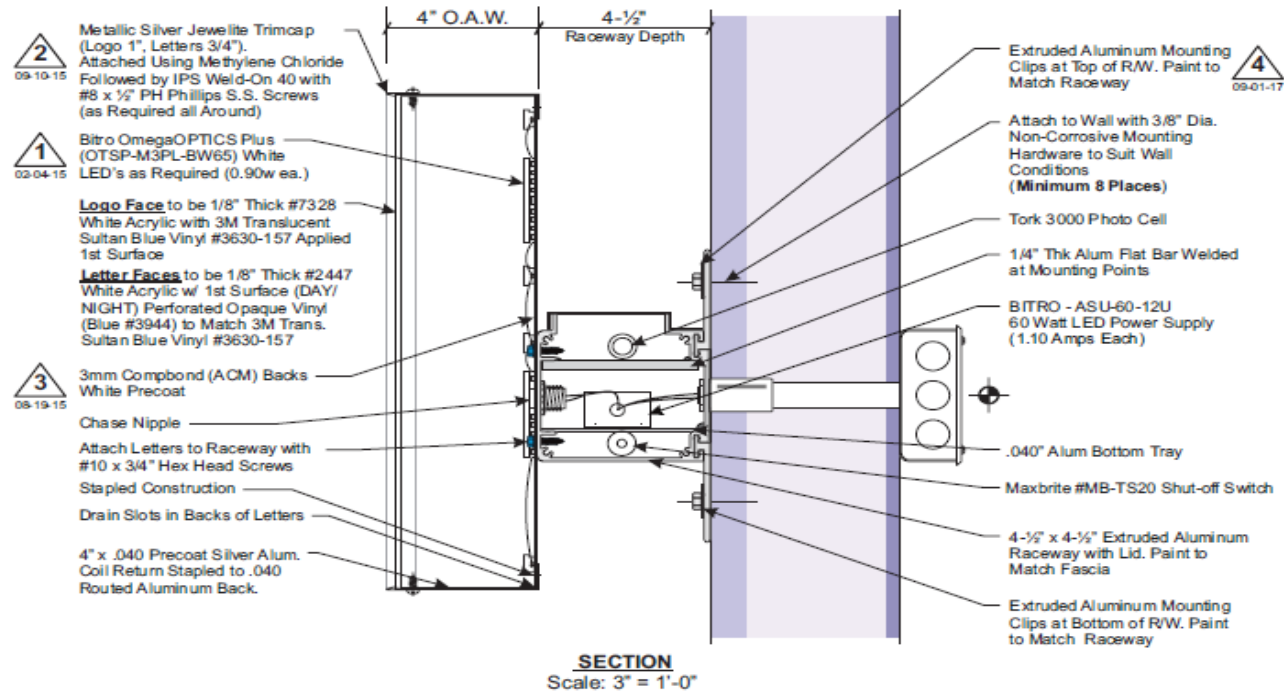
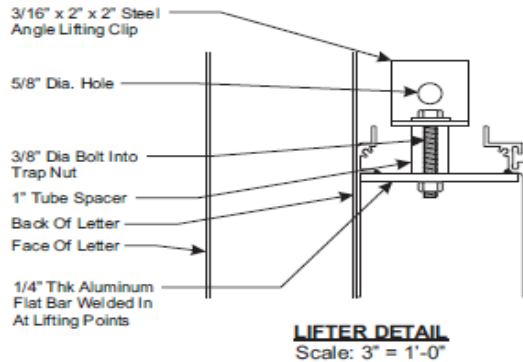
**\*NOTE:**

*Your approval of the Brandbook indicates your acceptance that the signage, provided to you and owned by Allstate, will be manufactured and installed as shown, pending landlord and/or municipality approval. Once accepted, signage may not be declined at time of installation for any reason other than a manufacturing defect. Any Allstate-branded items that we install are the property of Allstate .*

 <b>PHILADELPHIASIGN</b> BRINGING THE WORLD'S BRANDS TO LIFE 707 West Spring Garden Street Palmyra, NJ 08065-1798	CLIENT: ALLSTATE - SO LOCATION: LA32B Paul Carter Agency 5100 Lapalco Blvd, 5 Marrero, LA	DATE: 1/13/2020 SHEET: P02 DWG BY: RJW	REVISION: 01.15.20 BES Revised E02 <b>DRAWING NUMBER: A34392</b>	THIS IS AN ORIGINAL UNPUBLISHED DRAWING CREATED BY PHILADELPHIA SIGN IT IS SUBMITTED FOR YOUR PERSONAL USE IN CONJUNCTION WITH A PROJECT BEING PLANNED FOR YOU BY PHILADELPHIA SIGN IT IS NOT TO BE SHOWN TO ANYONE OUTSIDE YOUR ORGANIZATION NOR IS IT TO BE USED, COPIED, REPRODUCED, OR EXHIBITED IN ANY MANNER.



\*This sign is designed to withstand 130MPH wind load  
\*This sign will contain a UL label  
\*This sign is to be installed using 3/8" thru-bolts or appropriately sized hardware as necessary.



PHILADELPHIASIGN  
BRINGING THE WORLD'S BRANDS TO LIFE

707 West Spring Garden Street  
Palmyra, New Jersey 08065

Phone: 856.829.1460  
Fax: 856.829.8549  
www.philadelphiasign.com

CUSTOMER:  
**ALLSTATE**

JOB NUMBER:

SIGN TYPE:  
**ALST.CL.RW.B.EL\_12**

LOCATION:

DATE:  
**12/15/2014**

DRAWN BY:  
**GJF**

REVISION:  
Number: 4 Date: 09/01/2017 By: JTR

SHEET:  
**1 of 1** ENG DEPT

DWG NUMBER:  
**B58612**

ENGINEER SEAL:



MAX DESIGN WIND SPEED 90 MPH  
EXPOSURE C

THIS IS AN ORIGINAL UNPUBLISHED DRAWING CREATED BY PSCD. IT IS SUBMITTED FOR YOUR PERSONAL USE IN CONJUNCTION WITH A PROJECT BEING PLANNED FOR YOU BY PSCD. IT IS NOT TO BE SHOWN TO ANYONE OUTSIDE YOUR ORGANIZATION NOR IS IT TO BE USED, COPIED, REPRODUCED, OR EXHIBITED IN ANY FASHION.