
The logo for Stratus, featuring the word "Stratus" in a bold, white, sans-serif font with a registered trademark symbol, set against a dark purple background.

onestratus.com
888.503.1569

LOCATION NUMBER:

LFT - Lafayette Regional Airport

SITE ADDRESS:

123 Grissom Dr
Lafayette, LA 70508

[View in Google Maps](#)



Infinite possibilities, ideal solutions.

SITE PLAN

Scale: NTS



E02

E06

E07

SIGN LOCATIONS TO BE VERIFIED



Stratus

onestratus.com
8909 Tyler Boulevard
Mentor, Ohio 44060
888.503.1509

CLIENT: **SIGNATURE AVIATION**

ADDRESS: 123 GRISSOM DR, LAFAYETTE, LA 70508

ORDER NUMBER: 1199095

PAGE NO: 190452

PROJECT NUMBER: 87724

PROJECT MANAGER: DUSTIN SAN MIGUEL

Rev #	Req #	Date/Author	Description
Original	451382	11/16/23 RH	
Rev 1	459818	01/08/24 Z-RH	
Rev 2	514440	03/03/25 KF	Added page
Rev 3	520619	03/19/25 RH	
Rev 4	521965	03/21/25 RH	
Rev 5	522226	03/26/25 RH	
Rev 6	524250	04/01/25 KF	Added E11

Rev #	Req #	Date/Author	Description
Rev 7	526373	04/17/25 KF	
Rev 8	533744	05/29/25 CA	
Rev 9	538207	06/24/25 CA	

ELECTRONIC FILE NAME: G:\ACCOUNTS\BRIAN A MESTICH\PROJECTS\87724\LFT_Lafayette Regional Airport

LFT_Lafayette Regional Airport P01.dwg

PRINTING THIS DRAWING WITHOUT THE STRATUS, SIGNATURE AVIATION, OR DAMMON LOGOS IS PROHIBITED. REPRODUCTION OF THIS DRAWING WITHOUT THE PRIOR WRITTEN CONSENT OF STRATUS, SIGNATURE AVIATION, OR DAMMON IS PROHIBITED.

E01

REPLACEMENT FACE

Scale: 3/16" = 1'-0"

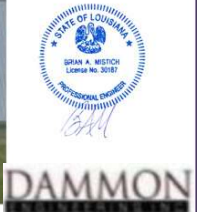
TERMINAL LANDSIDE

EXISTING SIGN SF:	85.5
PROPOSED SIGN SF:	85.5

EXISTING CONDITIONS



EXISTING 6'-0" X 14'-1/4" NON-ILLUMINATED SIGNATURE CABINET TO BE REFACED



Stratus®

onestratus.com
 8969 Tyler Boulevard
 Mentor, Ohio 44060
 888.503.1560

CLIENT: SIGNATURE AVIATION

ADDRESS: 123 GRISSOM DR LAFAYETTE, LA 70508

ORDER NUMBER: 1199095

PAGE NO.: 190452

PROJECT NUMBER: 87724

PROJECT MANAGER: DUSTIN SAN MIGUEL

Rev #	Date	Drawn/Artist	Description
Original	4/1/20	11/16/23 RH	
Rev 1	4/5/20	61/08/24 Z-RH	
Rev 2	5/14/20	63/03/25 KF	Revised per notes
Rev 3	5/20/20	63/19/25 RH	Revised scope
Rev 4	5/21/20	63/21/25 RH	
Rev 5	5/22/20	63/28/25 RH	
Rev 6	5/24/20	64/07/25 KF	

Rev #	Date	Drawn/Artist	Description
Rev 7	5/26/23	04/17/25 KF	
Rev 8	5/31/24	05/28/25 CA	
Rev 9	5/30/27	06/24/25 CA	

ELECTRONIC FILE NAME:
 5 WOODS SIGNATURE FLIGHT SUPPORT LOCATIONS_2023AULT_Lafayette Regional Airport
 LFT_Lafayette Regional Airport R9.cdr

PLEASE NOTE: THIS IS A COPY OF THE ORIGINAL DRAWING. THIS MATERIAL SHALL NOT BE USED, DUPLICATED, OR OTHERWISE REPRODUCED WITHOUT THE PRIOR WRITTEN CONSENT OF STRATUS.

E01 **REPLACEMENT FACE**
 Scale: 3/8"=1'-0" TERMINAL LANDSIDE 85.5 square feet



COLOR PALETTE

	Signature Runway: CMYK: 41,22,0,85 Pantone 433 C
	White

CABINET: Existing non-illuminated cabinet w/ 1-1/2" retainers to remain; Cabinet & retainers painted to match Runway

FACES: .187 Flat white polycarbonate

GRAPHICS: Digitally printed graphics to match Runway;
Reverse weeded to show thru white

QUANTITY: (1) ONE REQUIRED

Paint finish to be satin unless otherwise specified



Stratus

onestratus.com
 8969 Tyler Boulevard
 Mentor, Ohio 44060
 888.503.1569

CLIENT: SIGNATURE AVIATION

ADDRESS: 123 GRISSOM DR
LAFAYETTE, LA 70508

ORDER NUMBER: 1199095

SITE NUMBER: 190452

ELECTRONIC FILE NAME: S:\ACCOUNTS\SIGNATURE FLIGHT SUPPORT_LOCATIONS_2020\HALFT_Lafayette Regional Airport LFT_Lafayette Regional Airport RS.odr

PROJECT NUMBER: 87724

PROJECT MANAGER: DUSTIN SAN MIGUEL

Rev #	Req #	Date/Author	Description	Rev #	Req #	Date/Author	Description
Original	451382	11/16/23 RH		Rev 7	528773	04/17/24 KF	
Rev 1	458836	01/08/24 Z-RU		Rev 8	533744	05/29/25 CA	
Rev 2	514449	03/03/25 KF	Revised per notes	Rev 9	538207	06/24/25 CA	
Rev 3	520619	03/19/25 RH					
Rev 4	521985	03/21/25 RH					
Rev 5	522226	03/26/25 RH					
Rev 6	524301	04/07/25 KF					

THIS DRAWING IS THE EXCLUSIVE PROPERTY OF STRATUS. THIS MATERIAL SHALL NOT BE USED, DUPLICATED, OR OTHERWISE REPRODUCED WITHOUT THE PRIOR WRITTEN CONSENT OF STRATUS.

E02

FACE LIT CHANNEL LETTERS

Scale: 1"=1'-0"

TERMINAL RAMPSIDE HANGAR

SA-LI-FL-42B

EXISTING SIGN SF:	48.4
PROPOSED SIGN SF:	236.2

EXISTING CONDITIONS



EXISTING 6'-11-1/2" X 6'-11-1/2" NON-ILLUMINATED "S" CABINET TO BE REMOVED & REPLACED; WALL TO BE REPAIRED AS REQUIRED



Stratus®

onstratus.com
 8963 Tyler Boulevard
 Mentor, Ohio 44060
 888.503.1569

CLIENT: **SIGNATURE AVIATION**

ADDRESS: 123 GRISBOM DR, LAFAYETTE, LA 70508

ORDER NUMBER: 1199095

SITE NUMBER: 190452

ELECTRONIC FILE NAME: S:\ACCOUNTS\SIGNATURE FLIGHT SUPPORT\LOCATIONS_2020\ALFT_Lafayette Regional Airport_LFT_Lafayette Regional Airport R0.dwg

PROJECT NUMBER: 87724

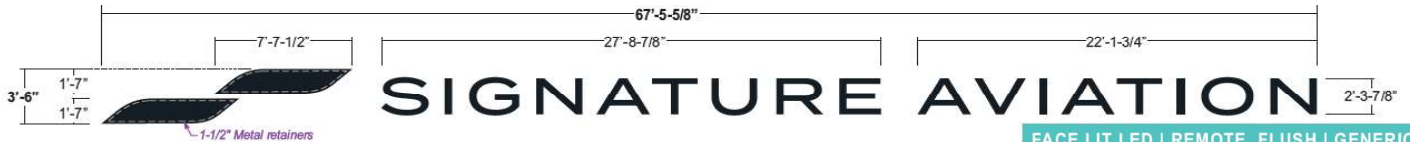
PROJECT MANAGER: DUSTIN SAN MIGUEL

Rev #	Rev #	Date/Rev/Iss	Description
Original	451382	11/16/23	RIA
Rev 1	458846	01/06/24	Z-RU
Rev 2	514440	03/03/25	KF Revised per notes
Rev 3	520639	03/19/25	RH Inset of set
Rev 4	521860	03/21/25	RH
Rev 5	522226	03/26/25	RH
Rev 6	524301	04/07/25	KF

Rev #	Rev #	Date/Rev/Iss	Description
Rev 7	526373	04/17/25	KF
Rev 8	533744	05/29/25	CA
Rev 9	538207	06/24/25	CA

PLEASE NOTE: THIS IS THE EXCLUSIVE PROPERTY OF STRATUS. THIS MATERIAL SHALL NOT BE USED, DUPLICATED, OR OTHERWISE REPRODUCED WITHOUT THE PRIOR WRITTEN CONSENT OF STRATUS.

E02 **FACE LIT CHANNEL LETTERS** **SA-LI-FL-42B**
 Scale: 3/16"=1'-0" 236.2 Square feet

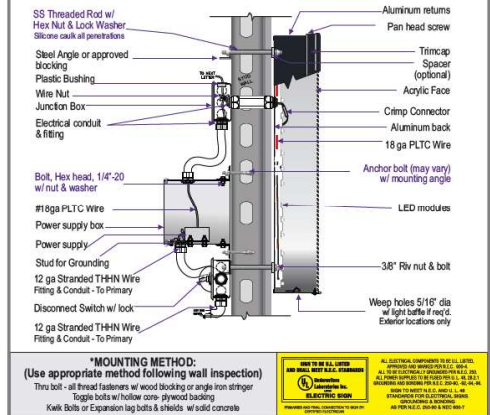


- FACES:** .187" #2447 white acrylic w/ surface applied Dual color film printed Runway
Faces will illuminate White at night
- TRIMCAP:** **LETTERS:** 1" Jewelite painted Runway;
LOGO: 1-1/2" Metal retainers painted Runway
- RETURNS:** 3" deep .063 alum. painted Runway, interior painted white
- BACKS:** .063" alum. - insides pre-finished White
- ILLUM.:** White LED's as required by manufacturer;
REMOTE POWER SUPPLIES
- WALL MATL.:** Corrugated Metal
- INSTALL:** Thru bolted flush using all thread into blocking as required
 12" standard length of threaded rod will be supplied unless otherwise noted
 3/8" threaded rod into blocking or Stratus approved equivalent;
 Spacers provided to accommodate corrugated wall surface
- QUANTITY:** (1) ONE Required



DAMMON
 ENGINEERING

FACE LIT LED | REMOTE, FLUSH | GENERIC INSTALL



SEE TO BE A LICENSED ELECTRICIAN
 ALL ELECTRICAL COMPONENTS TO BE UL LISTED, APPROVED AND INSTALLED IN ACCORDANCE WITH ALL LOCAL, STATE AND FEDERAL ELECTRICAL CODES. ALL WORK SHALL BE DONE IN ACCORDANCE WITH THE NATIONAL ELECTRICAL CODE (NEC) AS APPLICABLE. THE CONTRACTOR SHALL BE RESPONSIBLE FOR OBTAINING ALL NECESSARY PERMITS AND INSURANCE. THE CONTRACTOR SHALL BE RESPONSIBLE FOR OBTAINING ALL NECESSARY PERMITS AND INSURANCE.

Stratus
 onestratus.com
 3969 Tyler Boulevard
 Mentor, Ohio 44060
 888.503.1569

CLIENT: SIGNATURE AVIATION
ADDRESS: 123 GRISSOM DR LAFAYETTE, LA 70508
PAGE NO.:

ORDER NUMBER: 1199095
PROJECT NUMBER: 87724
SITE NUMBER: 190452
PROJECT MANAGER: DUSTIN SAN MIGUEL
ELECTRONIC FILE NAME: S:\WORK\STRATUS\FLIGHT SUPPORT_LOCATIONS_2020\ALFT_Lafayette Regional Airport_LFT_Lafayette Regional Airport R9.dwg

Rev #	Req #	Date/Author	Description	Rev #	Req #	Date/Author	Description
Original	451382	11/16/23 RH		Rev 7	538273	04/17/25 KF	
Rev 1	458846	01/08/24 Z RH		Rev 8	533744	05/28/25 CA	
Rev 2	514448	03/03/25 KF		Rev 9	538207	06/24/25 CA	
Rev 3	520619	03/18/25 RH	Inset of set				
Rev 4	521889	03/27/25 RH					
Rev 5	522226	03/28/25 RH					
Rev 6	524301	04/07/25 KF					

PRINTS ARE THE EXCLUSIVE PROPERTY OF STRATUS. THIS MATERIAL SHALL NOT BE USED, DUPLICATED, OR OTHERWISE REPRODUCED WITHOUT THE PRIOR WRITTEN CONSENT OF STRATUS.

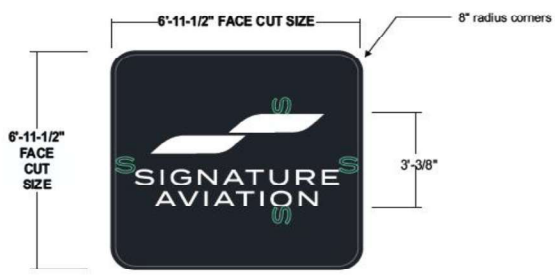
E06

REPLACEMENT FACE

Scale: 3/8"=1'-0"

RF83.fpl

48.4 square feet



CABINET: Existing 4-1/2" deep non-illuminated cabinet w/ 1-5/8" retainers and 8" radius corners to remain; Cabinet & retainers painted to match Runway

FACES: .177 Flat white polycarbonate

GRAPHICS: Digitally printed graphics to match Runway; Reverse weeded to show thru white

QUANTITY: (1) ONE REQUIRED

COLOR PALETTE

Signature Runway:
CMYK: 41 22 0 85
Pantone 433C

White

Paint finish to be satin unless otherwise specified



DAMMON
DESIGN BUILD

EXISTING HANGAR 11 - SIDE 1



EXISTING FACE TO BE REMOVED & REPLACED



PROPOSED SIGNAGE
Scaled proportionally

Stratus

onestratus.com
8929 Tyler Boulevard
Mentor, Ohio 44060
888.503.1669

CLIENT: SIGNATURE AVIATION		ORDER NUMBER: 1199095	PROJECT NUMBER: 87724	REV #	REQ #	DATE/ARTIST	DESCRIPTION	REV #	REQ #	DATE/ARTIST	DESCRIPTION
ADDRESS: 123 GRIESOM DR LAFAYETTE, LA 70508		SITE NUMBER: 190452	PROJECT MANAGER: DUSTIN SAN MIGUEL	Original	451382	11/18/23	SH	Rev 7	526373	04/17/25	KF
PAGE NO.:		ELECTRONIC FILE NAME: G:\COURT\SIGNATURE FLUENT SUPPORT\LOCATIONS_2025\LFT_Lafayette Regional Airport		Rev 1	458816	01/08/24	2-R	Rev 8	533744	05/28/25	CA
		LFT_Lafayette Regional Airport P0.dcf		Rev 2	514440	03/03/25	KF	Rev 9	538207	06/24/25	CA
				Rev 3	520619	03/19/25	RH				
				Rev 4	521869	03/21/25	RH				
				Rev 5	522228	03/26/25	RH				
				Rev 6	524301	04/07/25	KF				

PLEASE NOTE: THIS IS A CLUSIVE PROPERTY OF STRATUS. THIS MATERIAL SHALL NOT BE USED, DUPLICATED, COPIED, REPRODUCED, OR RE-PRODUCED WITHOUT THE PRIOR WRITTEN CONSENT OF STRATUS.

E07

HANGAR 11 - SIDE 2

Scale: 3/32"=1'-0"

SA-LI-FL-36B

EXISTING SIGN SF:	48.4
PROPOSED SIGN SF:	173.5

EXISTING CONDITIONS



EXISTING 6'-11-1/2" X 6'-11-1/2" NON-ILLUMINATED "S" CABINET TO BE REFACED



DAMMON
ARCHITECTS

Stratus

onestratus.com
8863 Tyler Boulevard
Mentor, Ohio 44060
888.503.1569

CLIENT: **SIGNATURE AVIATION**

ADDRESS: 123 GRISSOM DR
LAFAYETTE, LA 70508

ORDER NUMBER: 1199095

PAGE NO.: 190452

PROJECT NUMBER: 87724

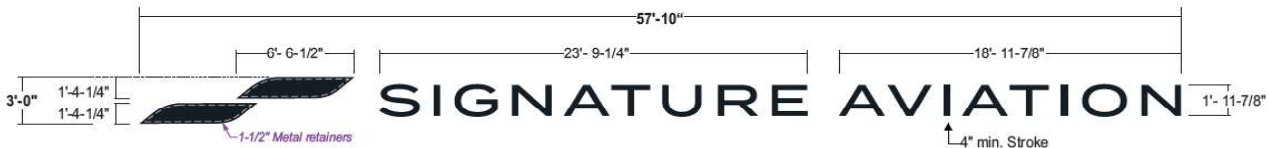
PROJECT MANAGER: DUSTIN SAN MIGUEL

ELECTRONIC FILE NAME:
S:\ACCOUNTS\SIGNATURE FLIGHT SUPPORT\LOCATIONS_2020\AULT_Lafayette Regional Airport
LFT_Lafayette Regional Airport R0.dcf

Rev #	Rev #	Date/Artist	Description	Rev #	Rev #	Date/Artist	Description
Original	451382	11/16/23 BH		Rev 7	526373	04/17/25 KF	
Rev 1	458846	01/08/24 Z-RJ		Rev 8	533744	05/28/25 CA	Revised to SA-LI-FL-42B
Rev 2	514449	03/03/25 KF	Revised per notes	Rev 9	538207	06/24/25 CA	Revised to SA-LI-FL-36B
Rev 3	520639	03/19/25 RH					
Rev 4	521869	03/21/25 RH					
Rev 5	522226	03/26/25 RH					
Rev 6	524301	04/07/25 KF					

PLEASE NOTE THE EXCLUSIVE PROPERTY OF STRATUS. THIS MATERIAL SHALL NOT BE REPRODUCED, COPIED, OR OTHERWISE REPRODUCED WITHOUT THE PRIOR WRITTEN CONSENT OF STRATUS.

E07 **FACE LIT CHANNEL LETTERS** **SA-LI-FL-36B**
 Scale: 3/16" = 1'-0" 173.5 Square feet

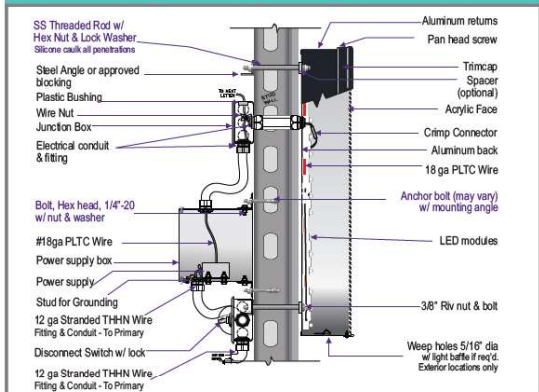


- FACES:** .187" #2447 white acrylic w/ surface applied Dual color film printed Runway
Faces will illuminate White at night
- TRIMCAP:** **LETTERS:** 1" jewelite painted Runway;
LOGO: 1-1/2" Metal retainers painted Runway
- RETURNS:** 3" deep .063 alum. painted Runway, interior painted white
- BACKS:** .063" alum. - insides pre-finished White
- ILLUM.:** White LED's as required by manufacturer;
REMOTE POWER SUPPLIES
- WALL MATL.:** Corrugated metal
- INSTALL:** Thru bolted flush using all thread into blocking as required
12" standard length of threaded rod will be supplied unless otherwise noted
3/8" threaded rod into blocking or Stratus approved equivalent
Spacers provided to accommodate corrugated wall surface
- QUANTITY:** (1) ONE REQUIRED



DAMMON

FACE LIT LED | REMOTE, FLUSH | GENERIC INSTALL



***MOUNTING METHOD:**
 (Use appropriate method following wall inspection)
 Thru bolt - all thread fasteners w/ wood blocking or angle iron stringer
 Toggle bolts w/ hollow cone- plywood backing
 Kwik Bolts or Expansion lag bolts & shields w/ solid concrete

ONLY TO BE FILLED IN BY ALL LICENSED AND SHALL NOT BE A SIGNATURE

Stratus
 ELECTRIC SIGN

ALL ELECTRICAL COMPONENTS TO BE FULLY TESTED AND APPROVED BY THE E.E.C. BEFORE ANY ELECTRICAL WORK IS DONE. ALL ELECTRICAL WORK SHALL BE DONE IN ACCORDANCE WITH THE NATIONAL ELECTRICAL CODE (NEC) AND ALL LOCAL CODES. ALL ELECTRICAL WORK SHALL BE DONE BY A LICENSED ELECTRICIAN. ALL ELECTRICAL WORK SHALL BE DONE IN ACCORDANCE WITH THE NATIONAL ELECTRICAL CODE (NEC) AND ALL LOCAL CODES. ALL ELECTRICAL WORK SHALL BE DONE BY A LICENSED ELECTRICIAN.

Stratus
 onestratus.com
 8863 Tyler Boulevard
 Mentor, Ohio 44060
 888.503.1569

CLIENT: SIGNATURE AVIATION	ORDER NUMBER: 1199095	PROJECT NUMBER: 87724	Rev #	Rev #	Date	Author	Description	Rev #	Rev #	Date	Author	Description
ADDRESS: 123 GRISSOM DR LAFAYETTE, LA 70508	SITE NUMBER: 190452	PROJECT MANAGER: DUSTIN SAN MIGUEL	Original	451382	11/16/23	SM		Rev 7	532373	04/17/25	KF	Revised to SA-LI-FL-42B
PAGE NO.:	ELECTRONIC FILE NAME: S:\WORKSPACE\SIGNATURE FLIGHT SUPPORT\LOCATIONS_2025\LAF_Lafayette Regional Airport LFT_Lafayette Regional Airport P01.dwg		Rev 1	514446	01/06/24	Z-RH	Revised per notes	Rev 8	533744	05/28/25	CA	Revised to SA-LI-FL-42B
			Rev 2	520619	03/19/25	RH		Rev 9	538207	06/24/25	CA	Revised to SA-LI-FL-36B
			Rev 3	520619	03/19/25	RH						
			Rev 4	521868	03/21/25	RH						
			Rev 5	522226	03/26/25	RH						
			Rev 6	524301	04/07/25	KF						

PRINTING: THIS IS EXCLUSIVE PROPERTY OF STRATUS. THIS MATERIAL SHALL NOT BE USED, DUPLICATED, OR OTHERWISE REPRODUCED WITHOUT THE WRITTEN CONSENT OF STRATUS.