



Marlink Front Channel Letters

MARLINK

5901 Earhart Expy. New Orleans, LA 70123

Electrical Notes: All electrical components to be UL approved Customer is responsible for one (1) 120v/20a dedicated circuit with ground per sign within 6' of sign Lock out switch installed at panel box for all electrical signs Install in accordance with N.E.C. article 600 and/or local codes. This includes proper grounding and bonding of signs

Proposed

28' Height

120' Width



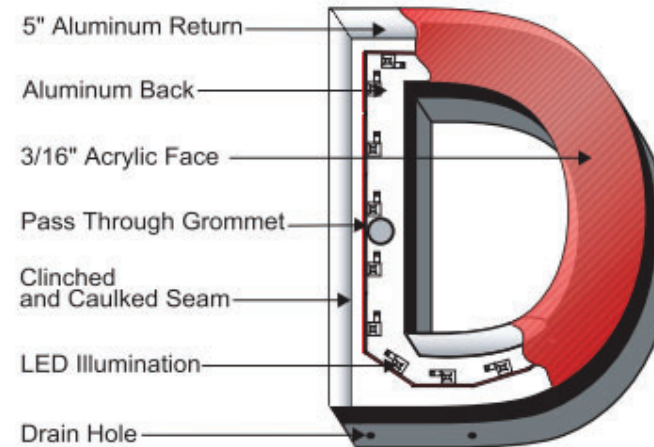
Existing



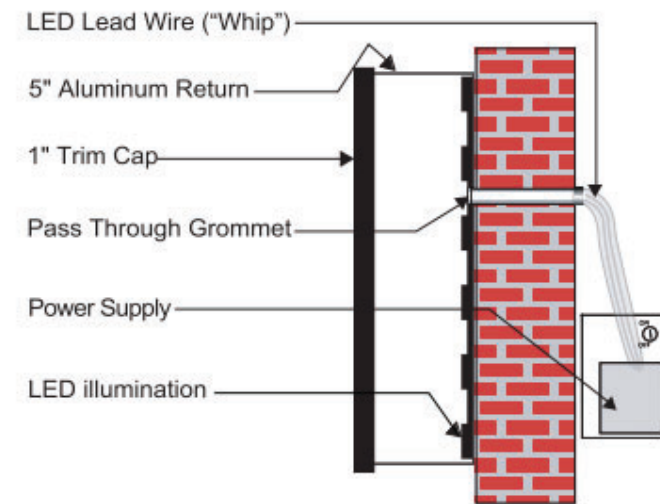
Front Lit Channel Letters



Fastener Info: 3/8" x 5" Non Corrosive Fasteners
60 Sqft



FRONT VIEW



SIDE VIEW FLUSH MOUNT



MARLINK

5901 Earhart Expy. New Orleans, LA 70123

Proposed



Existing

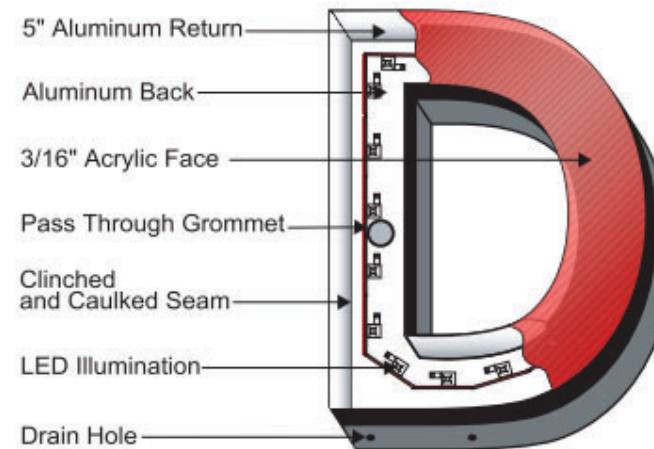


Front Lit Channel Letters

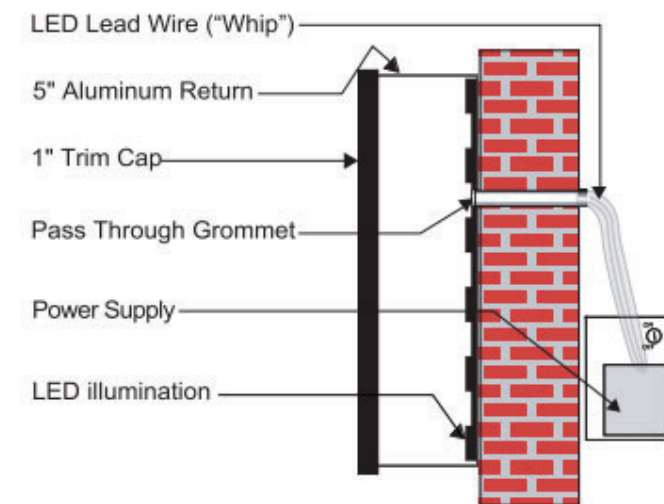
Electrical Notes: All electrical components to be UL approved Customer is responsible for one (1) 120v/20a dedicated circuit with ground per sign within 6' of sign Lock out switch installed at panel box for all electrical signs Install in accordance with N.E.C. article 600 and/or local codes. This includes proper grounding and bonding of signs



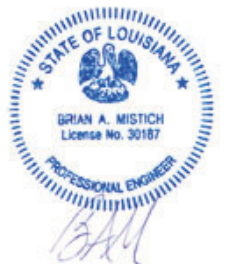
Fastener Info: 3/8" x 5" Non Corrosive Fasteners
60 Sqft

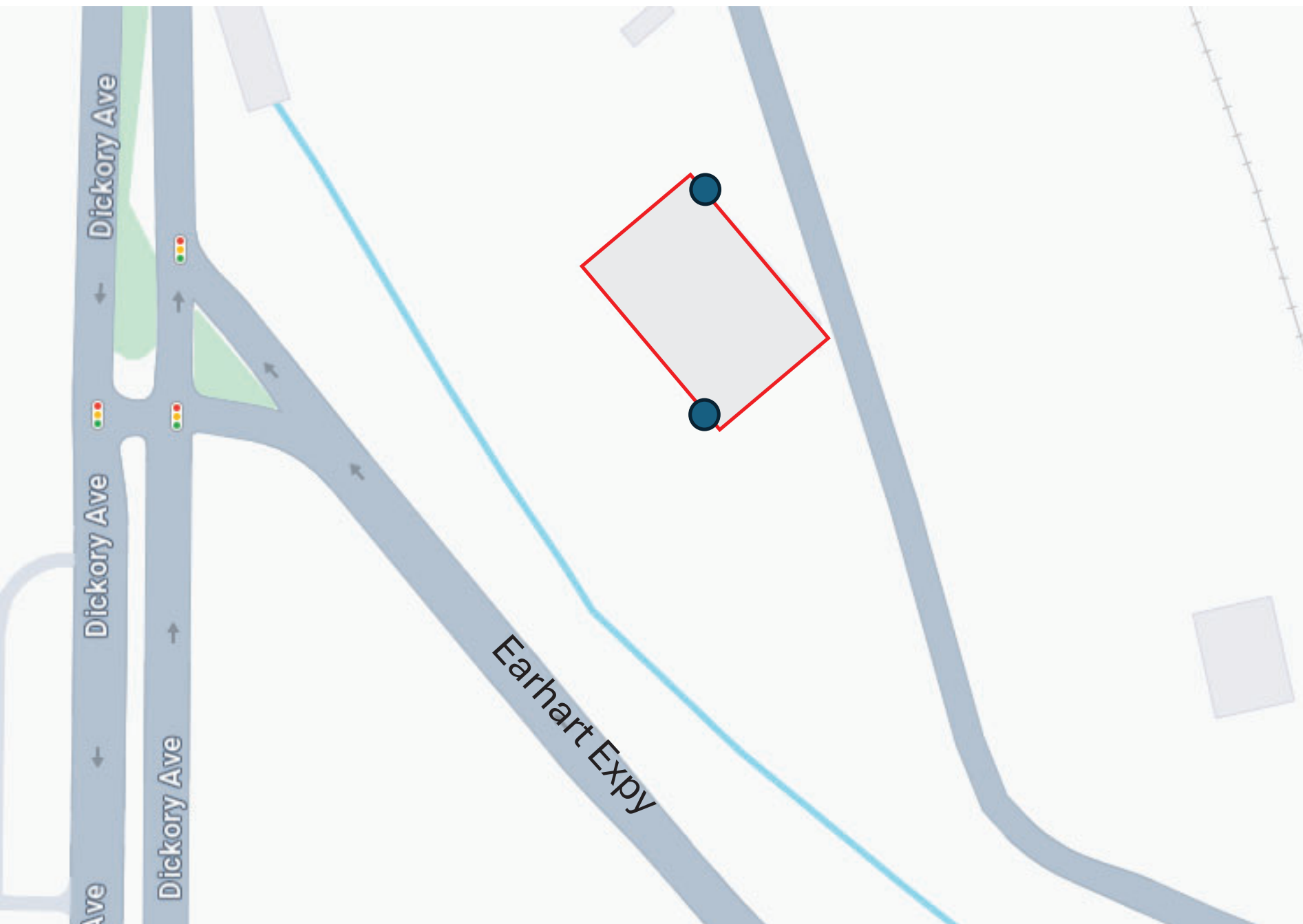


FRONT VIEW



SIDE VIEW FLUSH MOUNT





MARLINK

5901 Earhart Expy. New Orleans, LA 70123

 Building

 Signage locations