

SONDER

R1: revised to fit letters of and stud to calibration. 1/25/21 - gmc
R2: revised to show dedicated entrance. 01/05/22 - gmc



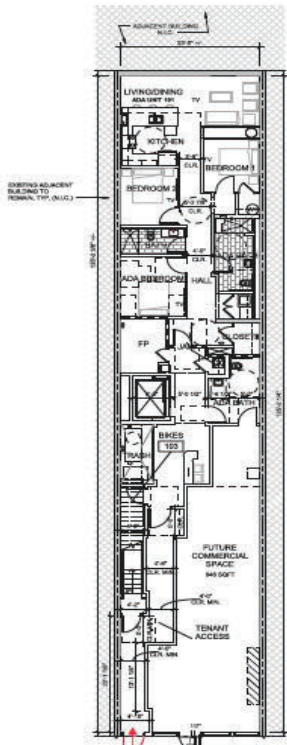
4444 Federal Blvd San Diego, CA 92102
(619) 527-6100 signtech.com

SONDER
131 Carondelet Street
New Orleans, LA 70112 USA

This design is the exclusive property of Signtech and cannot be reproduced in whole or in part, without their prior written approval.

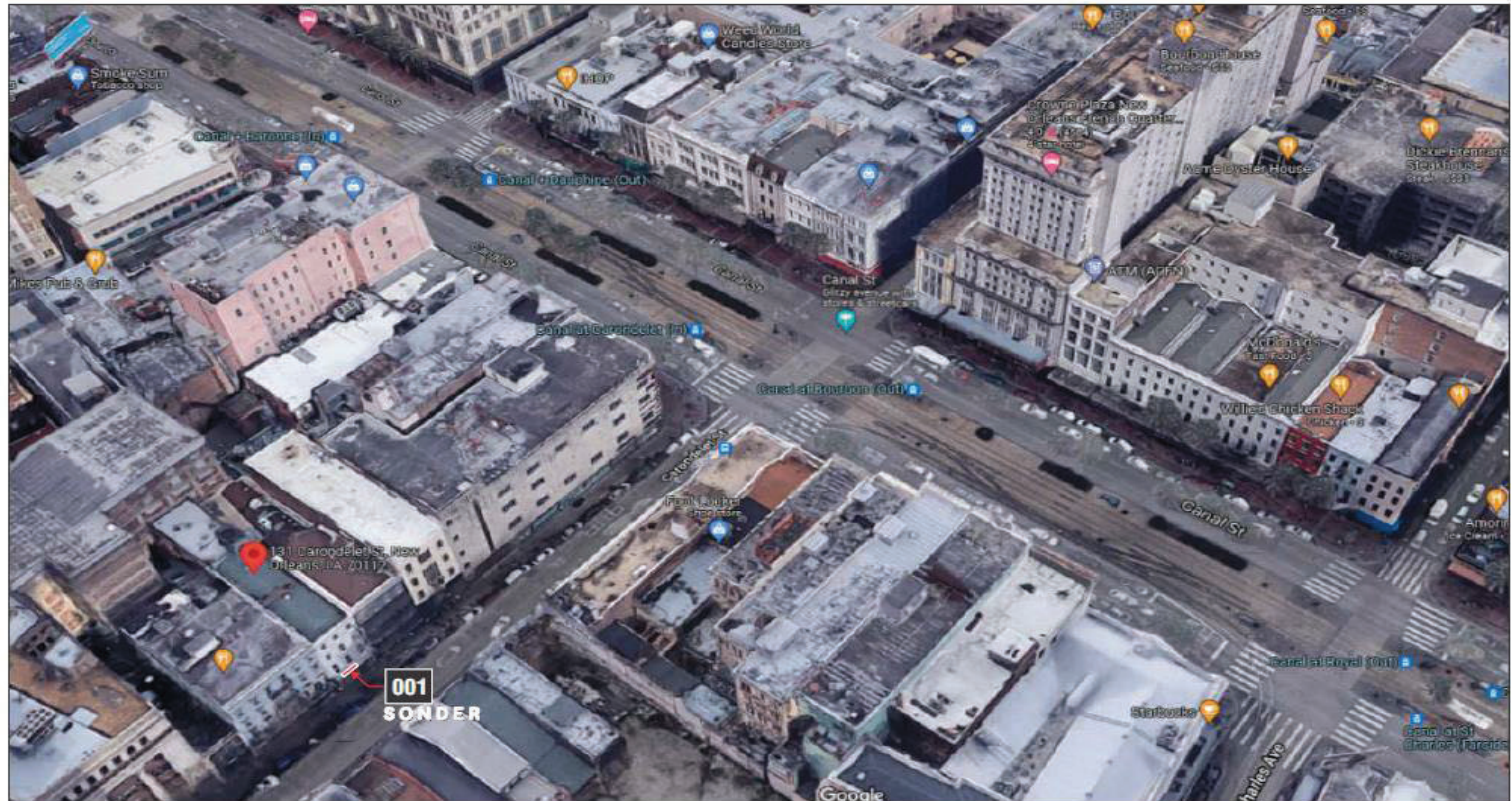
Sales: Christine M. Mello
Coordinator: Steve Wood
Design: gmcclung
Engineering:

date: 12/28/21
drawing: 21-02084 **rev:** R2 - 01/05/22 - gmc
quote:
project ID: SONDER_131_1



**DEDICATED
SONDER
ENTRANCE**

INTERIOR FLOOR PLAN
SCALE: NTS



SITE PLAN
SCALE: NTS



4444 Federal Blvd San Diego, CA 92102
(619) 527-6100 signtech.com

SONDER
131 Carondelet Street
New Orleans, LA 70112 USA

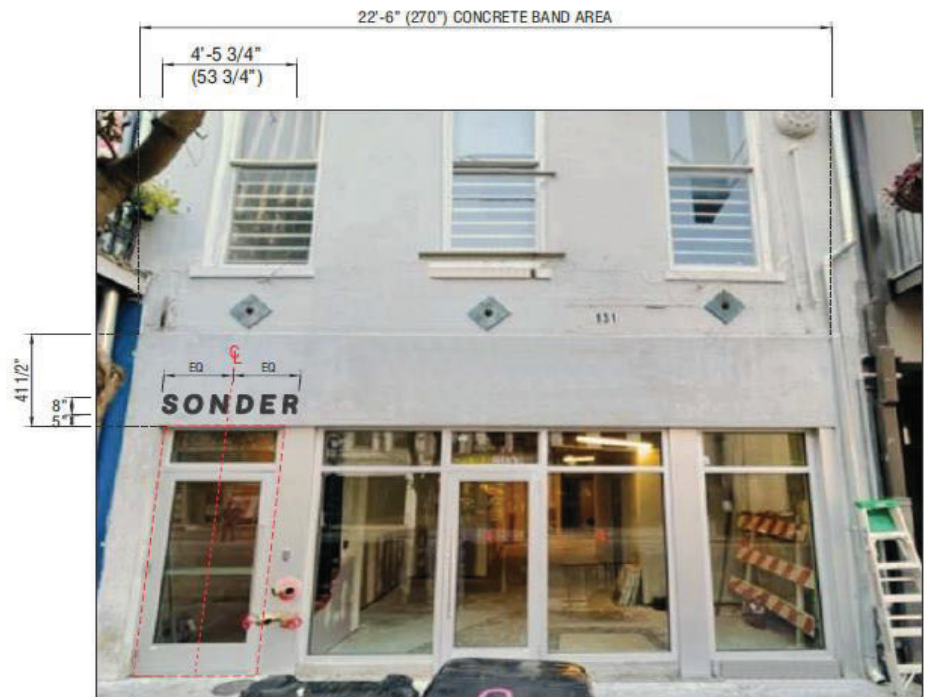
This design is the exclusive property of Signtech and cannot be reproduced in whole or in part, without their prior written approval.

Sales: Christine M. Mello
Coordinator: Steve Wood
Design: gmcclung
Engineering:

date: 12/28/21
drawing: 21-02084 **rev:** R2 - 01/05/22 - gmc
quote:
project ID: SONDER_131_1



EXISTING ELEVATION VIEW
APPROX. SCALE: 1/4" = 1'-0"



PROPOSED SIGNAGE
APPROX. SCALE: 1/4" = 1'-0"



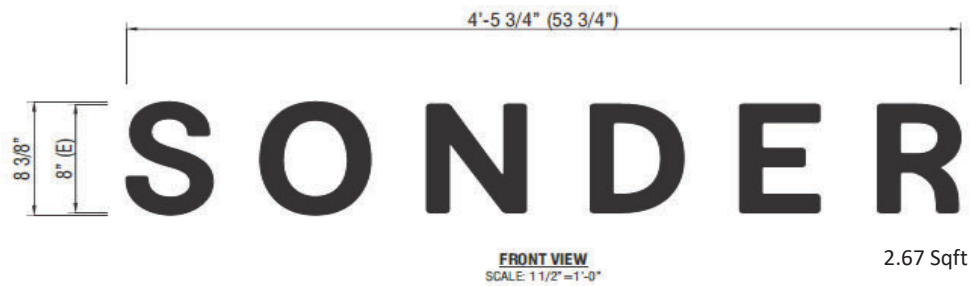
4444 Federal Blvd San Diego, CA 92102
(619) 527-6100 signtech.com

SONDER
131 Carondelet Street
New Orleans, LA 70112 USA

Sales: Christine M. Mello
Coordinator: Steve Wood
Design: gmccclung
Engineering:

date: 12/28/21
drawing: 21-02084 **rev:** R2 - 01/05/22 - gmc
quote:
project ID: SONDER_131_1

This design is the exclusive property of Signtech and cannot be reproduced in whole or in part, without their prior written approval.



001 SIGNTYPE SON-FCO-PL-8-B

MANUFACTURE AND INSTALL ONE (1) NON-ILLUMINATED LETTERSET

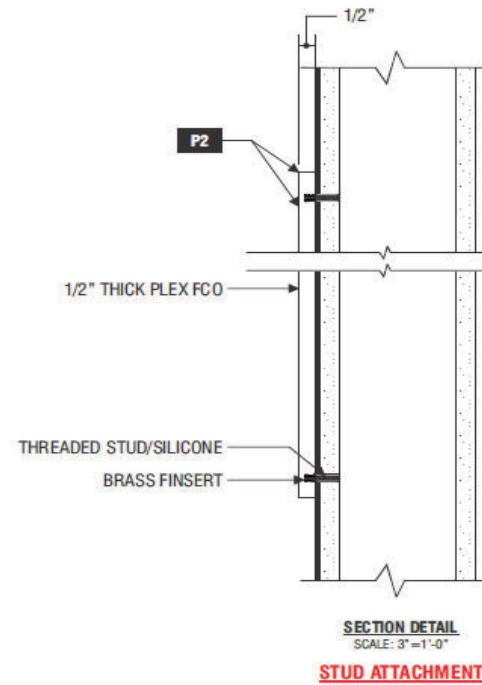
Sign is to be non-illuminated

PAINT

P2 MATTHEWS BLACK,
MATTE FINISH

S O N D E R

ISOMETRIC VIEW



4444 Federal Blvd San Diego, CA 92102
(619) 527-6100 signtech.com

SONDER
131 Carondelet Street
New Orleans, LA 70112 USA

This design is the exclusive property of Signtech and cannot be reproduced in whole or in part, without their prior written approval.

Sales: Christine M. Mello
Coordinator: Steve Wood
Design: gmcclung
Engineering:

date: 12/28/21
drawing: 21-02084 **rev:** R2 - 01/05/22 - gmc
quote:
project ID: SONDER_131_1