

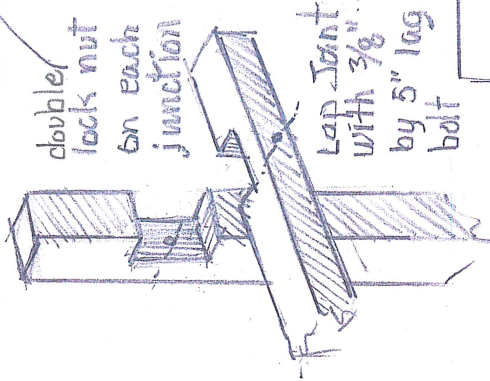
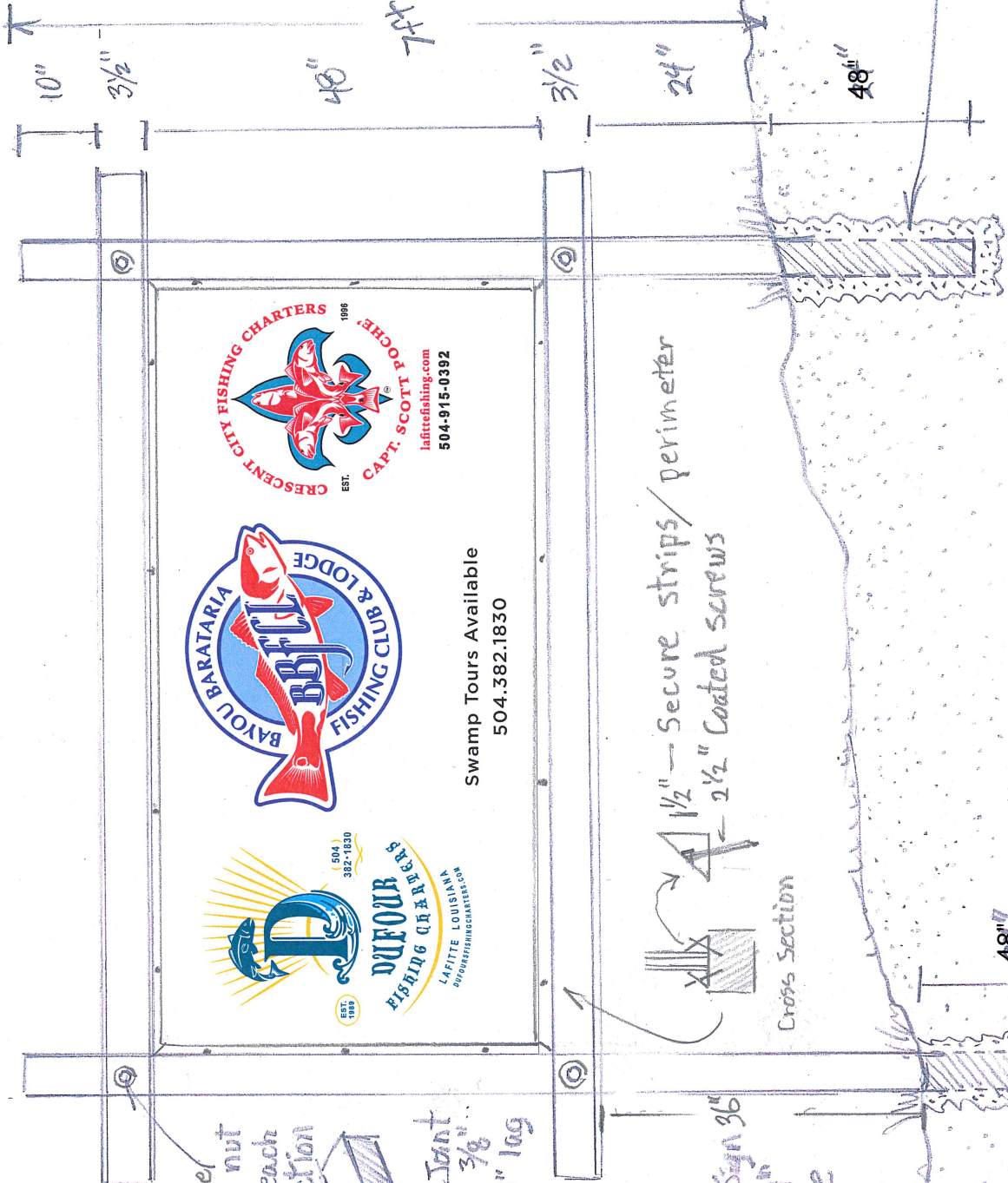


**DAMMON**  
ENGINEERING, INC.  
254 Old Spanish Trail, Slidell, LA 70458 (885) 649-5802

Treated lumber  
4x4 Post (3 1/2 x 3 1/2)



STREET



2 sided  
Aluminum Vinyl Sign 36"  
lamination with 1/4"  
cement board core  
bonded with  
heavy duty  
adhesive



Cross Section

post holes  
4 ft. deep  
with concrete

SURFACE

48"