

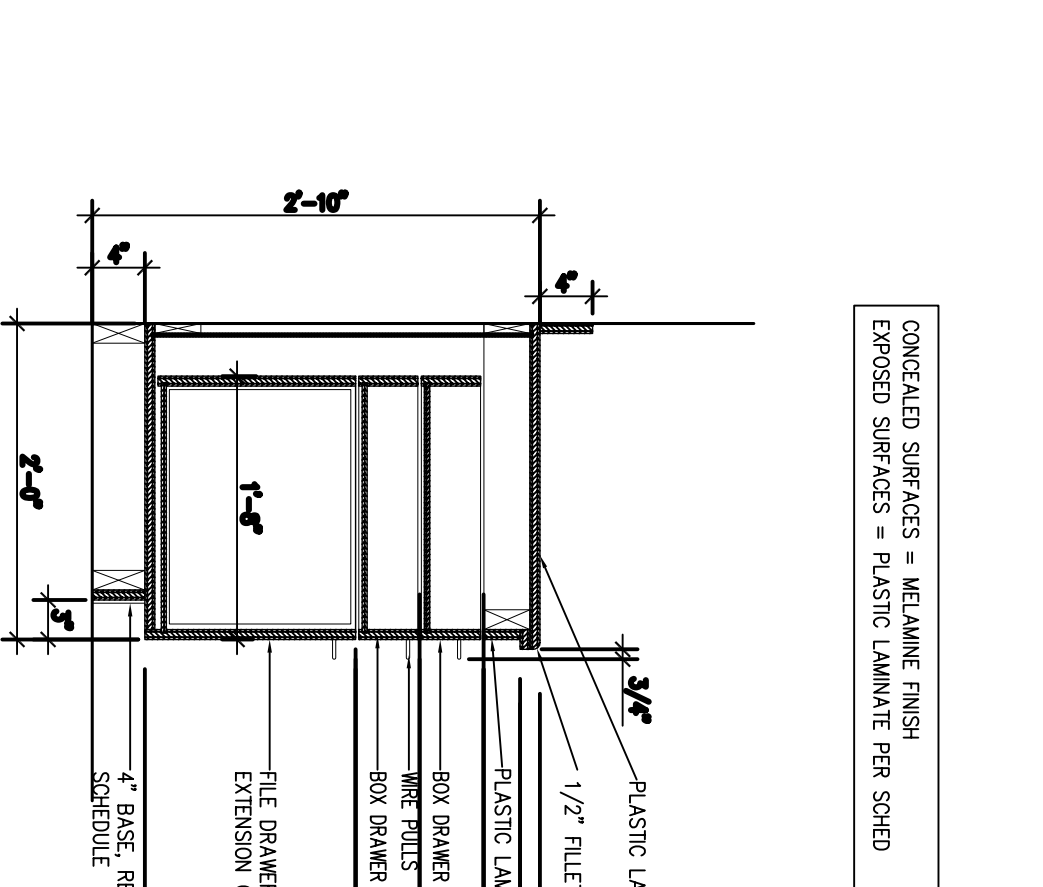
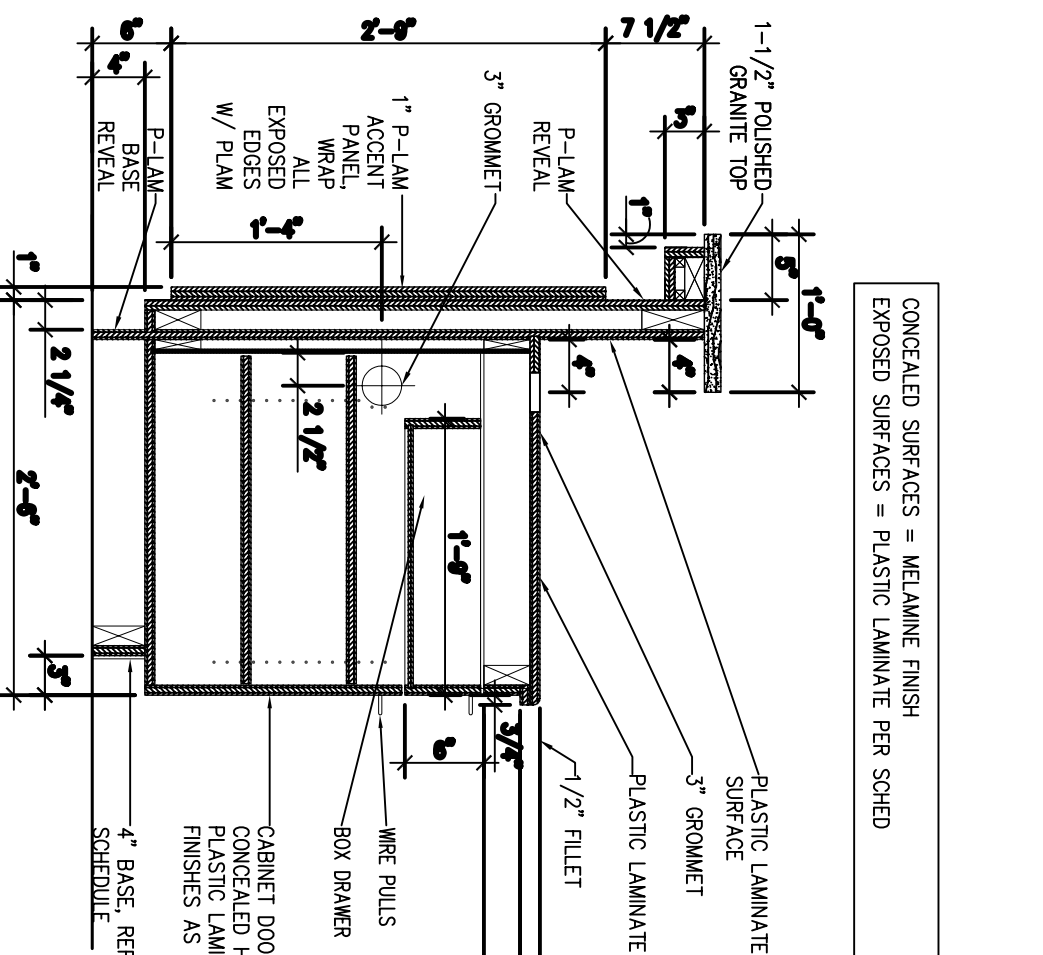
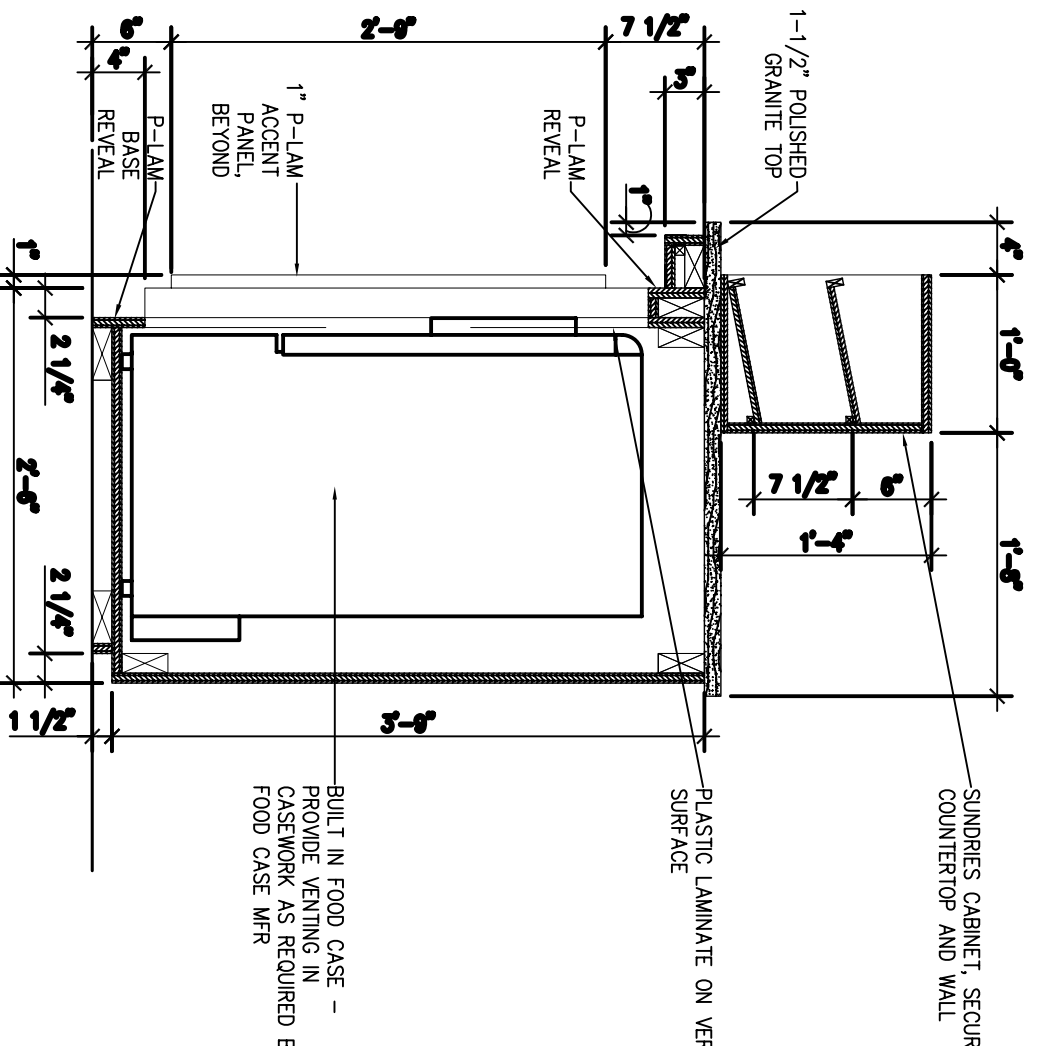
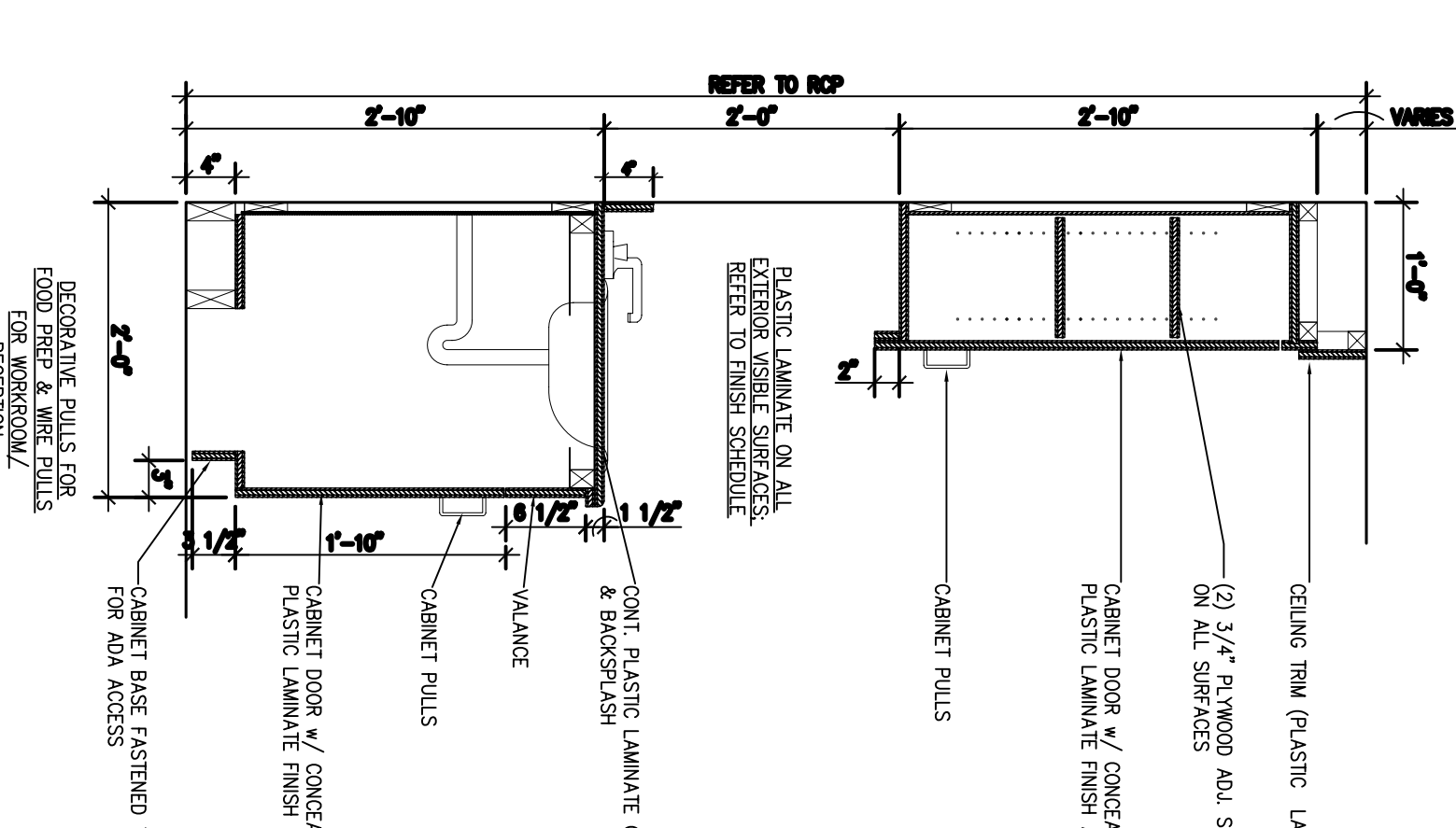
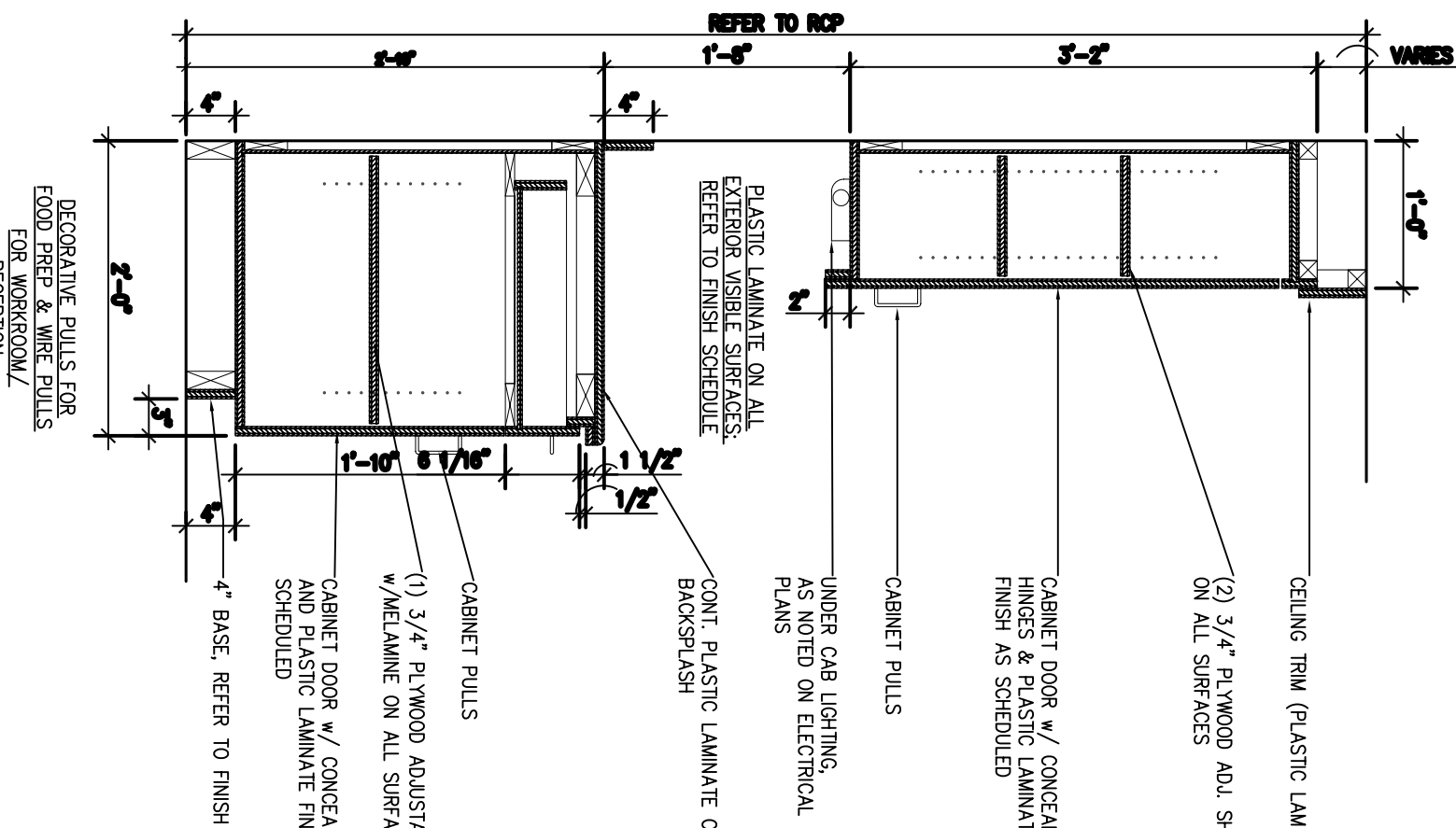
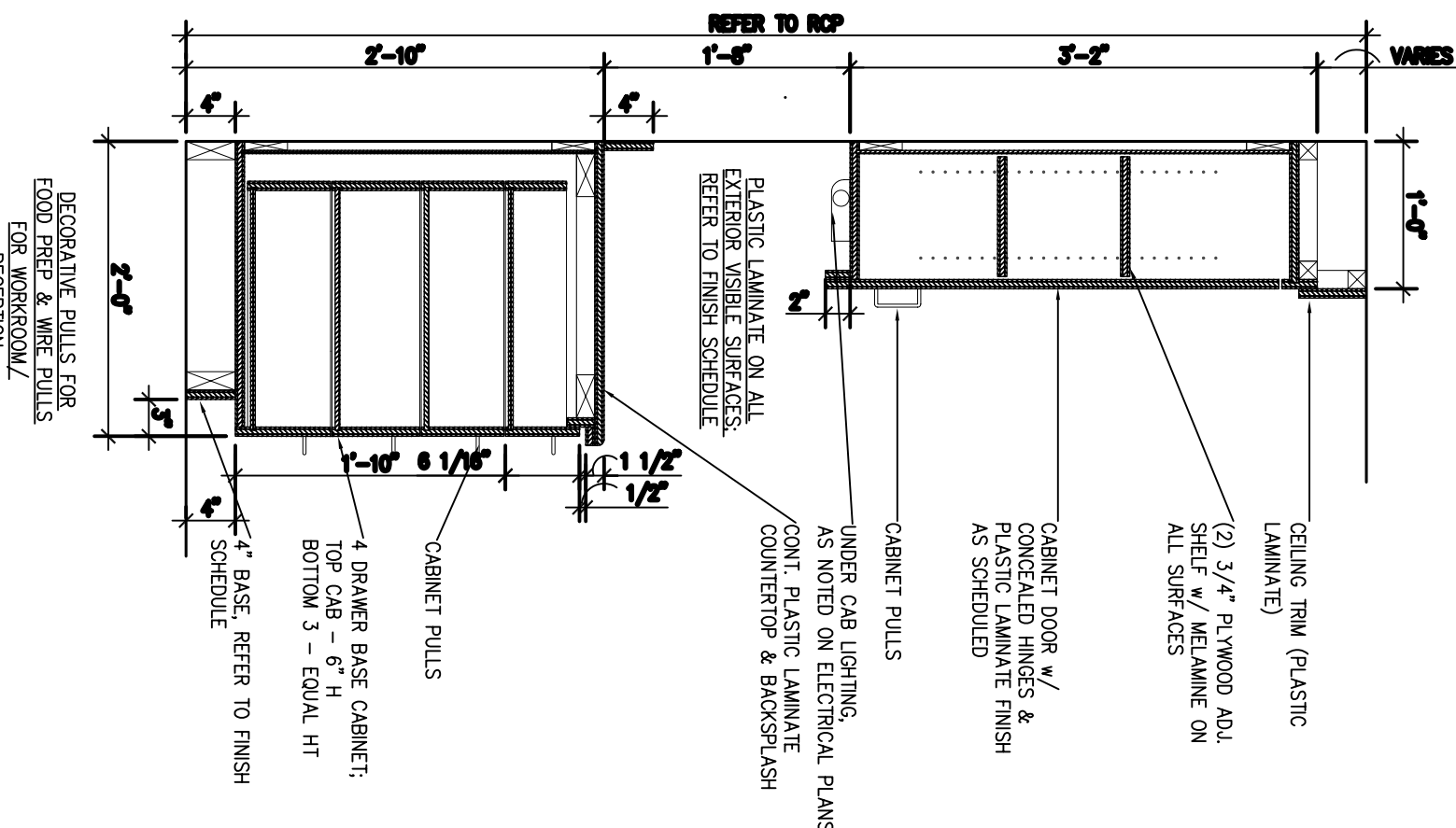
15 PUBLIC RESTROOM VANITY SECTION

12 NOT USED

9 FOOD PREP & BREAKROOM SECTION

6 FOOD PREP & BREAKROOM SECTION

3 FOOD PREP & BREAKROOM SECTION



14 NOT USED

11 NOT USED

8 FOOD CASE SECTION

5 RECEPTION DESK SECTION

2 RECEPTION DESK SECTION

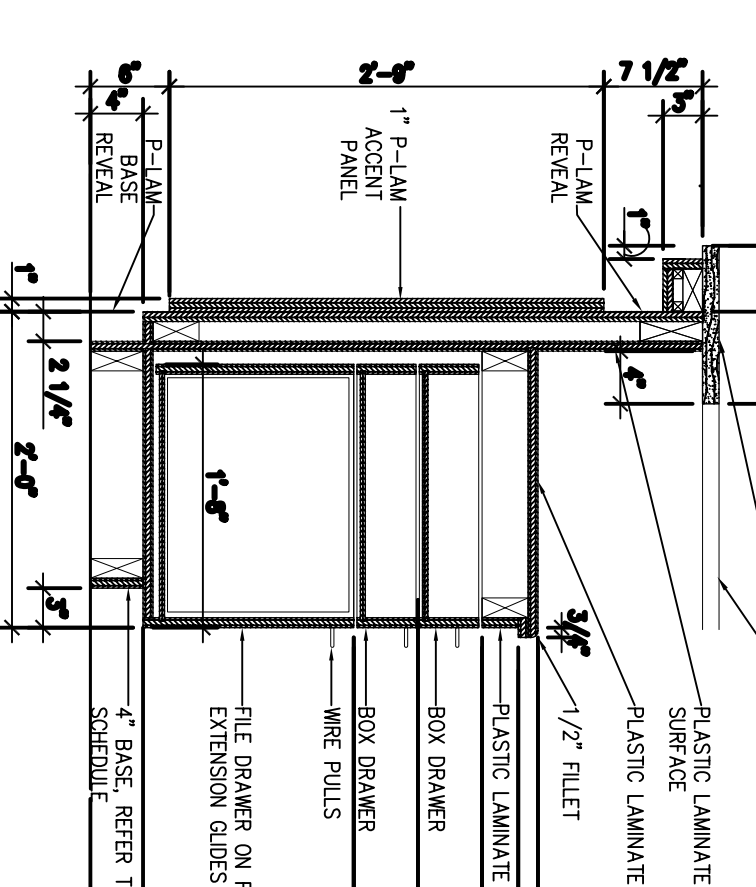
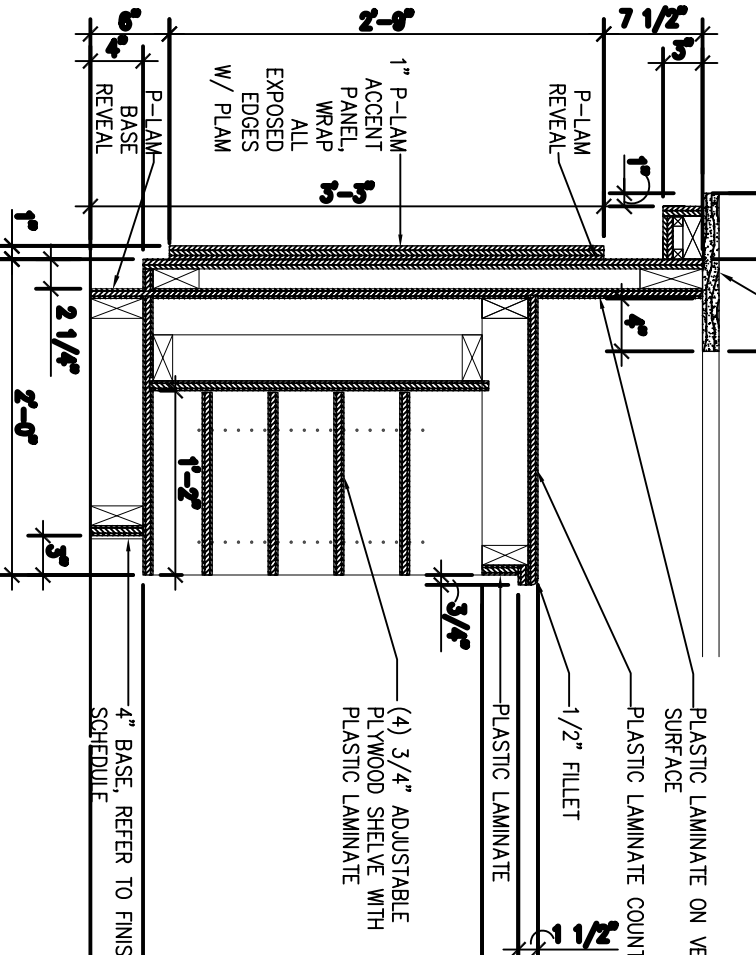
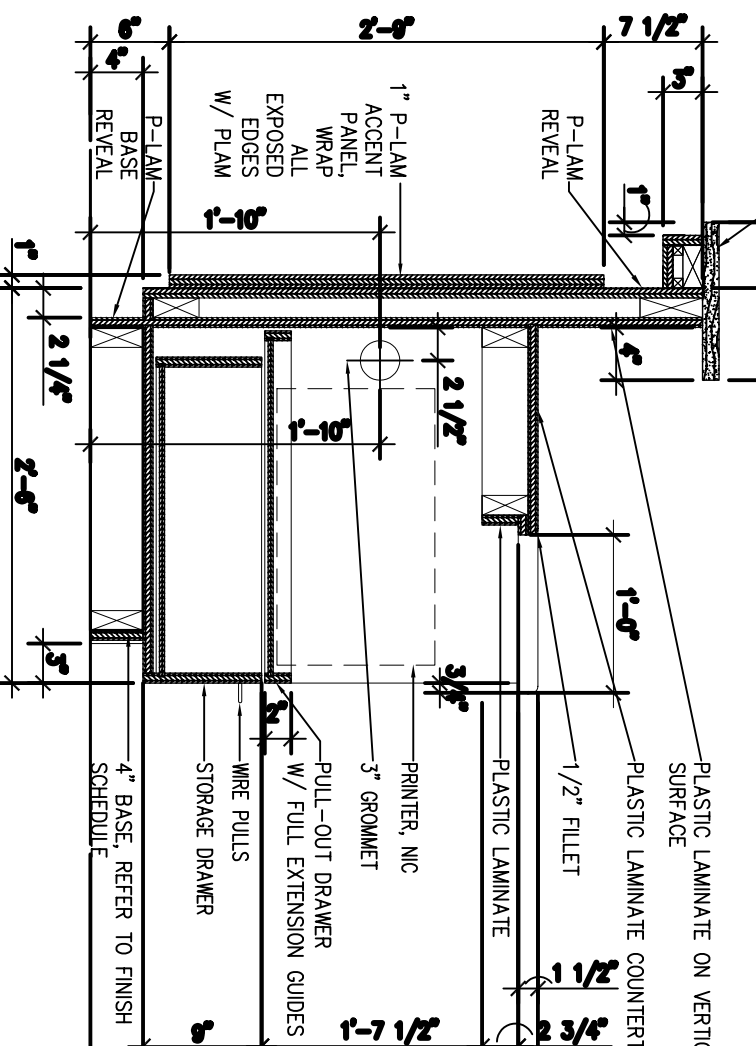
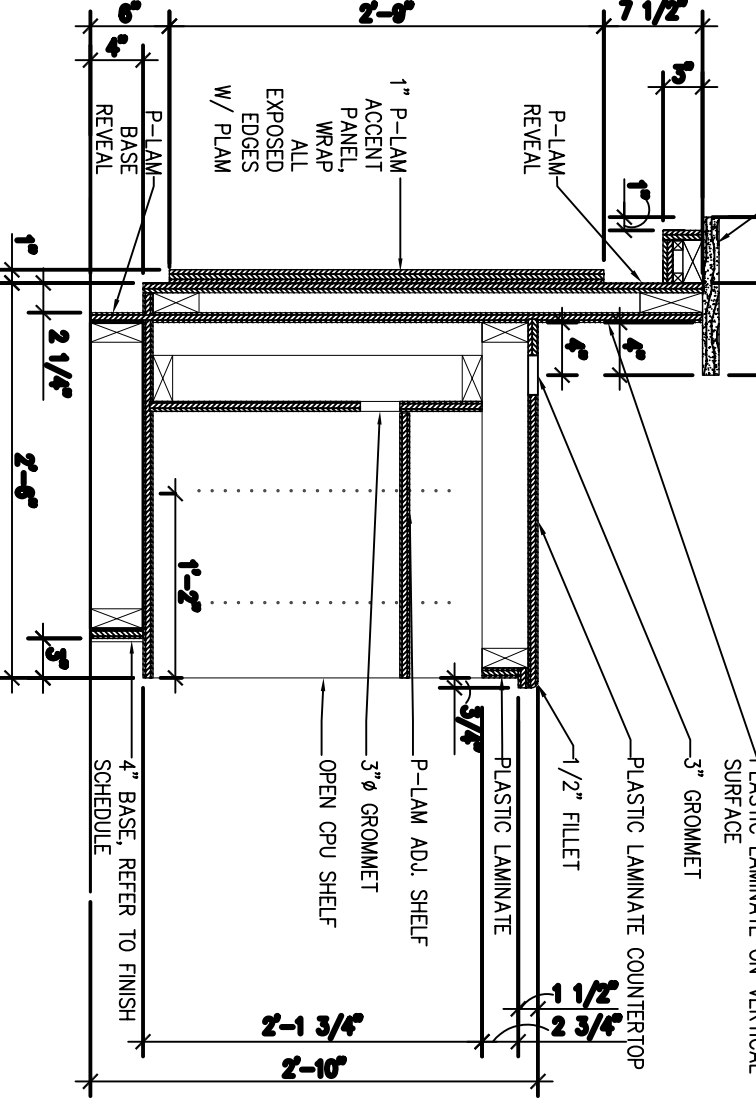
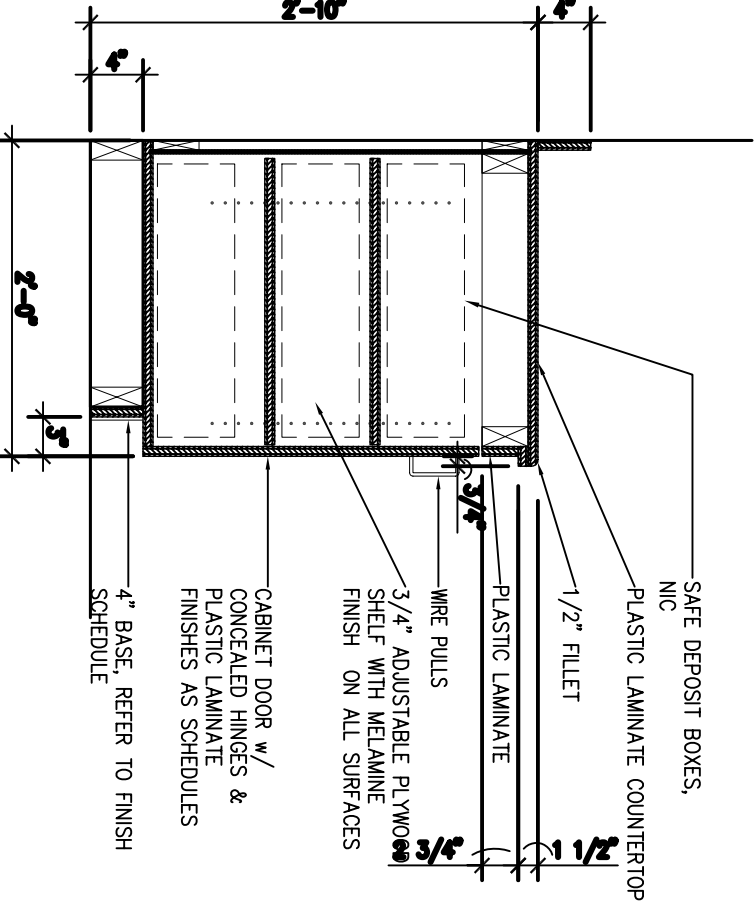
CONCEALED SURFACES = MELAMINE FINISH
EXPOSED SURFACES = PLASTIC LAMINATE PER SCHED

CONCEALED SURFACES = MELAMINE FINISH
EXPOSED SURFACES = PLASTIC LAMINATE PER SCHED

CONCEALED SURFACES = MELAMINE FINISH
EXPOSED SURFACES = PLASTIC LAMINATE PER SCHED

CONCEALED SURFACES = MELAMINE FINISH
EXPOSED SURFACES = PLASTIC LAMINATE PER SCHED

CONCEALED SURFACES = MELAMINE FINISH
EXPOSED SURFACES = PLASTIC LAMINATE PER SCHED



13 RECEPTION DESK SECTION

10 RECEPTION DESK SECTION

7 RECEPTION DESK SECTION

4 RECEPTION DESK SECTION

1 RECEPTION DESK SECTION

#	DESCRIPTION	DATE

DAMMON ENGINEERING, INC.
LOUISIANA & MISSISSIPPI

Chief Engineer: Brian Mistch, PE
554 Old Spanish Trail
Slidell, LA 70458

www.dammonengineering.com
info@dammonengineering.com
PH: 985.649.5832 F: 985.641.5950

PRELIMINARY NOT FOR CONSTRUCTION

MAINSTAY SUITES

100 MAIN STREET
LOT #1 LA HWY 27
HACKBERRY, LA 70645

JOB No: 2265 DATE: JANUARY, 2016

DRAWN BY: JTL CHECKED BY: CKD

SHEET TITLE: PUBLIC AREA MILLWORK DETAILS

DRAWING NUMBER: A701

10 of 2