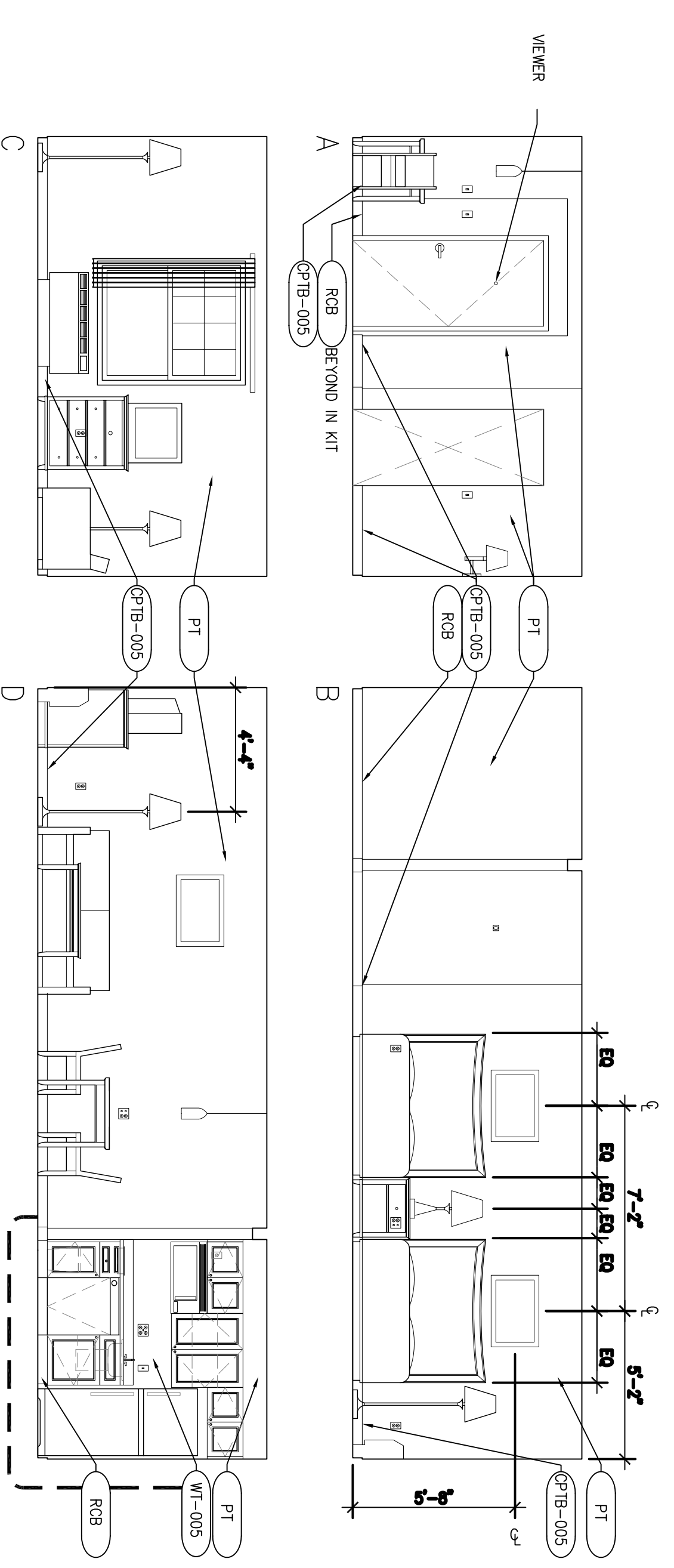
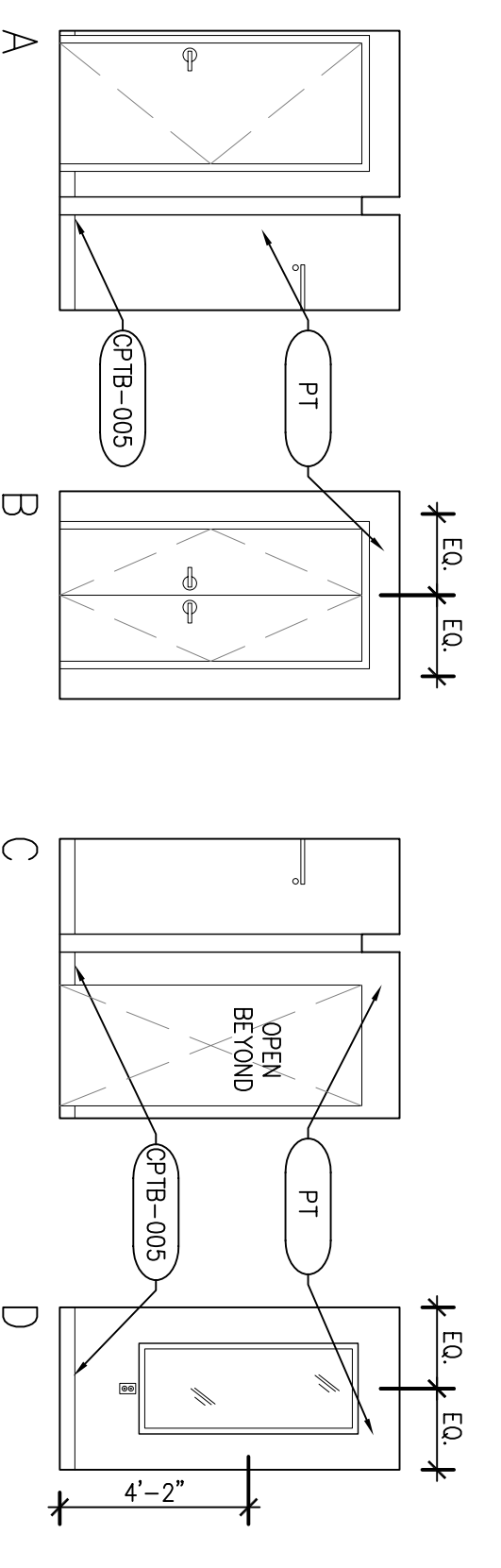


INTERIOR ELEVATIONS
SCALE: 1/4"=1'-0"



INTERIOR ELEVATIONS
SCALE: 1/4"=1'-0"



INTERIOR ELEVATIONS
SCALE: 1/4"=1'-0"

GUESTROOM GENERAL NOTES

- REFER TO 109 FLOOR PLANS FOR OVERALL GUESTROOM AND WINDOW DIMENSIONS, UNO.
- GRID LINES ARE LOCATED AT THE CENTERLINE OF STUDS.
- OVERALL ROOM DIMENSIONS ARE FROM CENTERLINE OF STUD TO CENTERLINE OF STUD. INTERIOR DIMENSIONS ARE FROM FACE OF FINISH TO FACE OF FINISH, UNO.
- FOR DETAILED ELEVATIONS & SECTIONS OF KITCHEN CABINETS, BATHROOM CABINET, & DRESSING ROOM CLOSET SYSTEM, REFER TO SHEET A.703, A.703.
- PLUMBING CHASE SHALL HAVE A FIRESTOP AT EACH FLOOR.
- MAINTAIN, BY CODE, MINIMUM REQUIRED SEPARATION BETWEEN GUESTROOMS AT PLUMBING CHASE WALLS.

GUESTROOM CEILING NOTES

- TYPICAL CEILING FINISH HEIGHT SHALL BE 8'-0" CLEAR AFFRONS, THROUGH 3', UNO. 9'-0" FOURTH FLOOR HEIGHT.
- TYPICAL CEILING FINISH HEIGHT FOR BATHROOMS AND DRESSING ROOMS SHALL BE 7'-6" CLEAR AFF, UNO.
- TYPICAL CEILING FINISH FOR BEDROOMS, LIVING ROOMS, AND DRESSING ROOMS SHALL BE TEXTURED PAINTED GFT BD, UNO.
- TYPICAL CEILING FINISH FOR BATHROOMS AND KITCHENS SHALL BE SMOOTH PAINTED GFT BD, UNO.
- SOFFITS SHALL BE SMOOTH PAINTED FINISH ON GFT BD.
- CENTER SINGLE SURFACE MOUNTED LIGHT FIXTURES IN CEILING, UNO.
- CENTER SPRINKLER HEADS IN SPACES.

LIGHT & POWER SYMBOLS LEGEND

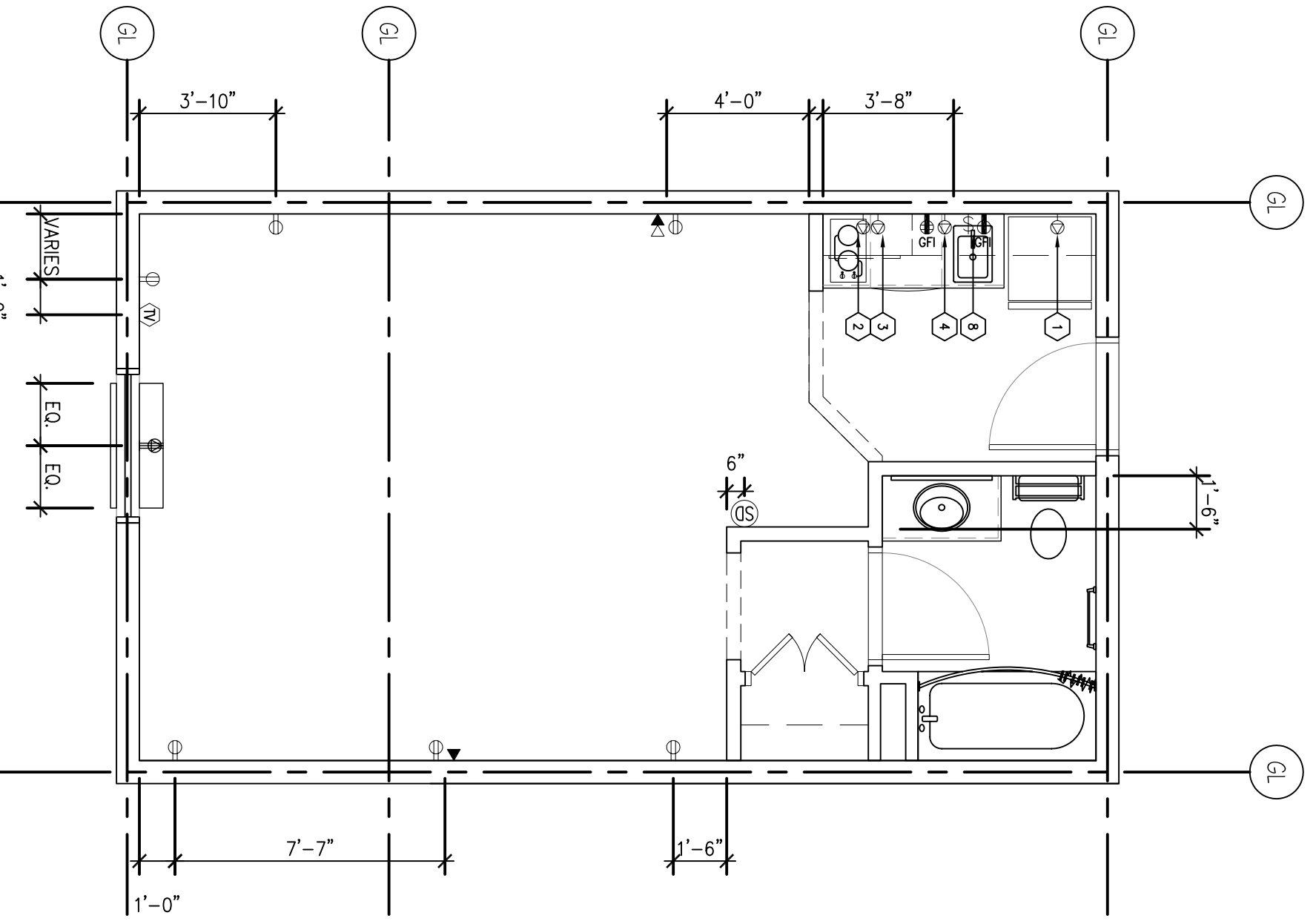
| | |
|--|---|
| | CEILING MOUNTED LIGHT FIXTURE |
| | PENDANT LIGHT FIXTURE |
| | FLOOR LAMP |
| | DESK/TRAVEL LAMP |
| | SMOKE DETECTOR |
| | DOOR BELL W/LIGHT (HEARING IMPAIRED ROOMS) |
| | COABLE TV CONNECTION |
| | TELEPHONE CONNECTION |
| | COMPUTER/DATA OUTLET |
| | THERMOSTAT |
| | EXHAUST FAN |
| | DUPLEX RECEPTACLE |
| | QUADPLEX RECEPTACLE |
| | G.F.I. RECEPTACLE |
| | SPECIAL RECEPTACLE |
| | P1AC RECEPTACLE |
| | DUPLEX RECEPTACLE & TELEPHONE OUTLET W/ COMMON PLATE |
| | DUPLEX RECEPTACLE, TEL/COMP DATA OUTLET W/ COMMON PLATE |
| | GFI RECEPTACLE/SINGLE POLE SWITCH WITH COMMON PLATE |
| | SINGLE POLE SWITCH |
| | DOUBLE POLE SWITCH |
| | THREE WAY SWITCH |
| | FOUR WAY SWITCH |
| | WALL MOUNTED OCCUPANCY SENSOR W/ SWITCH |

TOILET & BATH ACCESSORY SCHEDULE

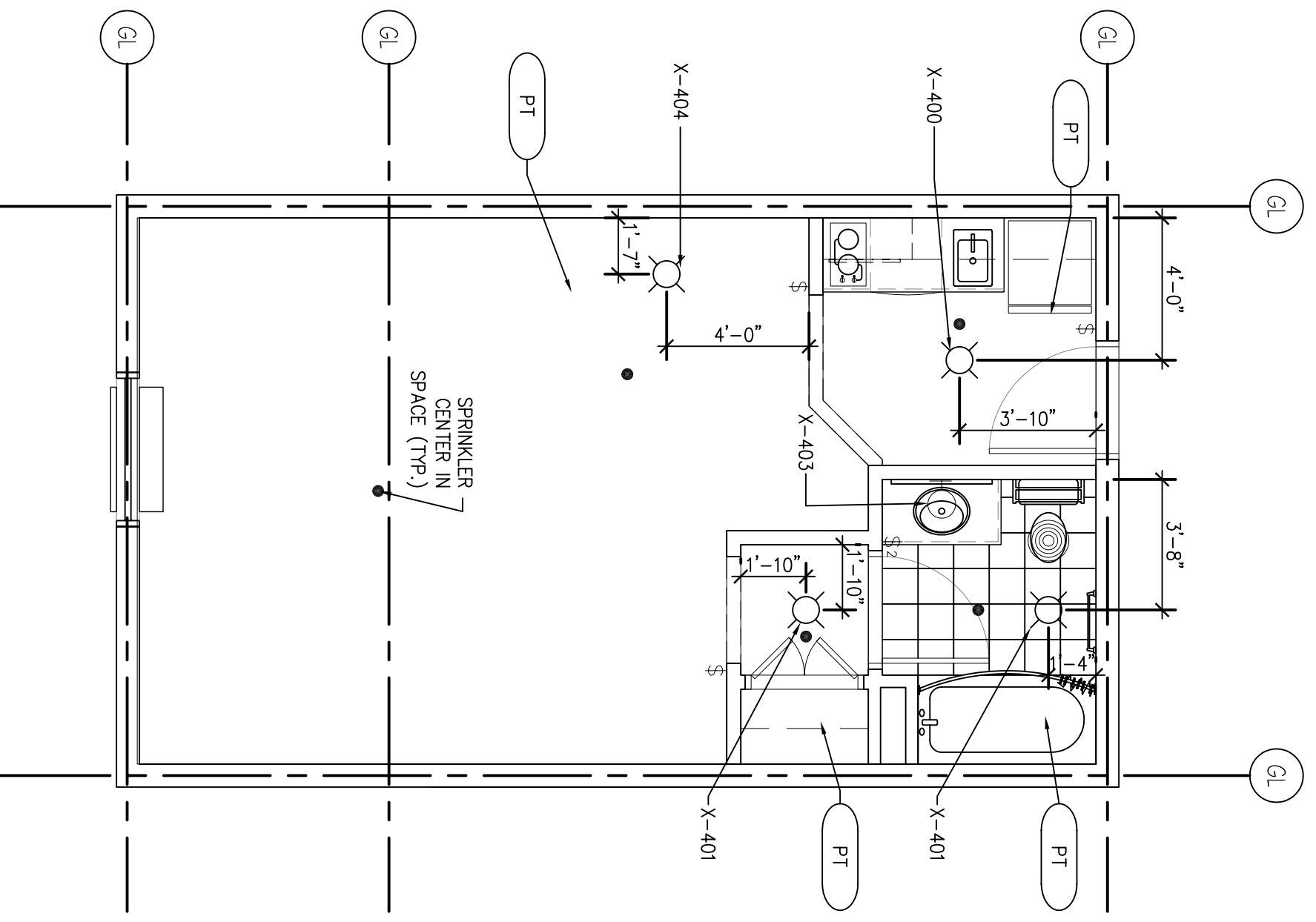
| ITEM# | DESCRIPTION | LOC. |
|-------|--|---------------|
| TA-05 | TOILET | PR, GR ADA GR |
| TA-06 | CONTINUOUS TOILET GRAB BAR (SURFACE MOUNTED) | GR, GR ADA GR |
| TA-07 | SINK / CASKWORK MOUNTING HEIGHT | GR, GR ADA GR |
| TA-08 | MIRROR, SURFACE MOUNTED (BOTTOM @ 40 AFF) | GR, GR ADA GR |
| TA-09 | TOWEL BAR (24" @ 54" AFF, 24" @ 42") SURFACE MOUNTED | GR, GR ADA GR |
| TA-10 | TOWEL BAR (12" @ 54" AFF) SURFACE MOUNTED | GR, GR ADA GR |
| TA-11 | TOILET TISSUE DISPENSER (SINGLE ROLL / RECESSED) | PR, GR ADA GR |
| TA-12 | TUB GRAB BAR, SURFACE MOUNTED (NON-HANDICAPPED) | GR |
| TA-13 | CURVED SHOWER CURTAIN ROD, SURFACE MOUNTED, (MOUNTING HEIGHT = SEE SCHEDULE) | GR, GR ADA GR |
| TA-14 | FOLDING SHOWER SEAT, SURFACE MOUNTED | ADA GR |
| TA-15 | 12" TUB GRAB BAR (HEAD END, SURFACE MTD) | ADA GR |
| TA-16 | 24" TUB GRAB BAR, 2" RIBBED (SIDE WALL, SURFACE MTD) | ADA GR |
| TA-17 | 24" TUB GRAB BAR (DRAIN RIO, SURFACE MTD) | ADA GR |
| TA-18 | SHOWER GRAB BARS SURFACE MOUNTED | ADA GR |
| TA-19 | ROBE/COAT HOOK | GR |
| TA-20 | ROBE/COAT HOOK 48" | ADA GR |
| TA-21 | HAIR DRYER | GR, GR ADA GR |
| TA-22 | SHINE HEAD & CONTROLS (MOUNTING HEIGHT = SEE SCHED) | GR |
| TA-23 | SHINE HEAD & CONTROLS (MOUNTING HEIGHT = SEE SCHED) | ADA GR |
| TA-24 | CULTURED SHELF 24" | GR |
| TA-25 | SOAP DISH 4.2" | GR, GR ACC GR |

TOILETBATH ACCESSORY NOTES:

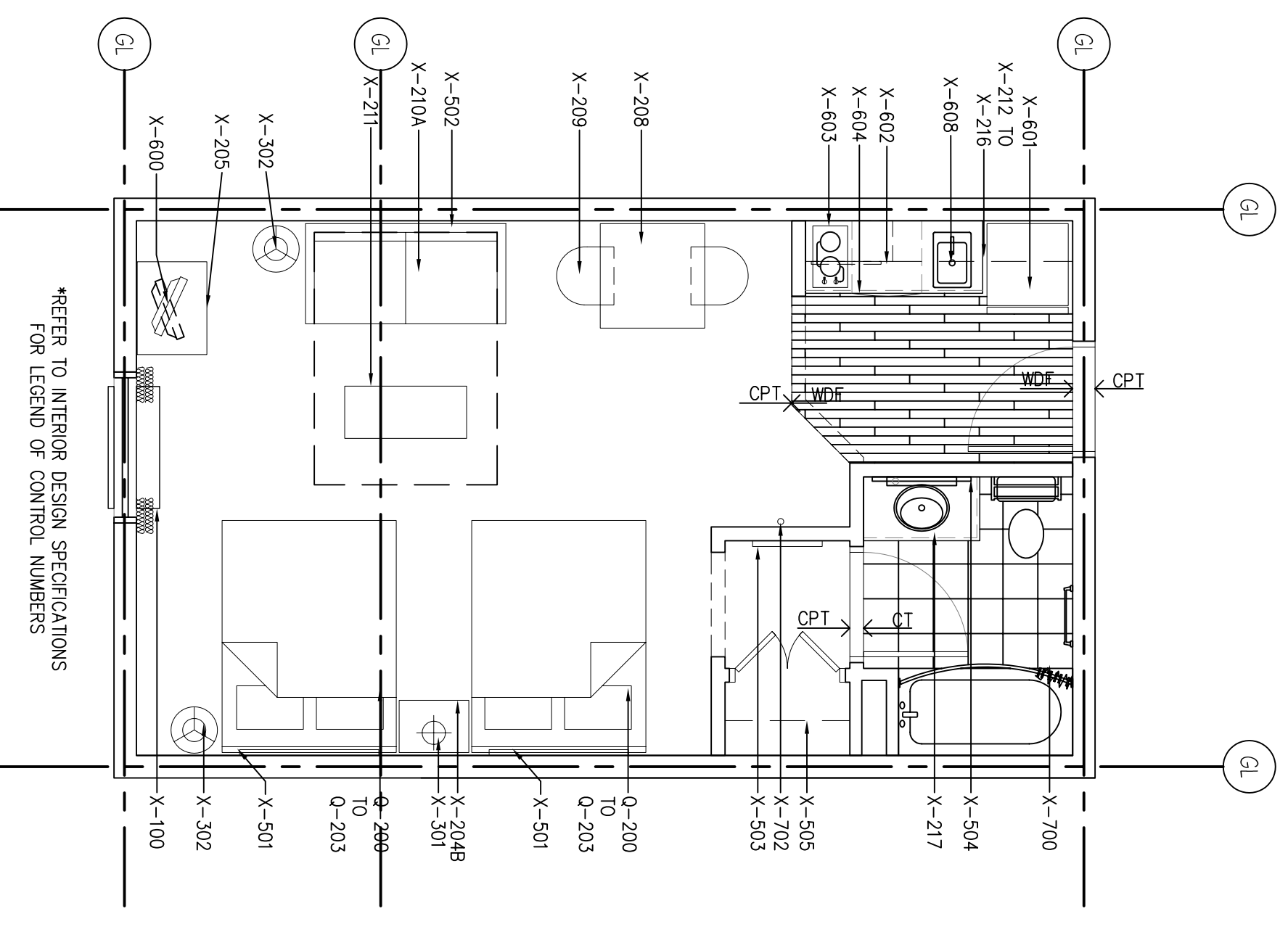
1. PRR = PUBLIC RESTROOM
GR = GUESTROOM
ADA GR = ACCESSIBLE GUESTROOM



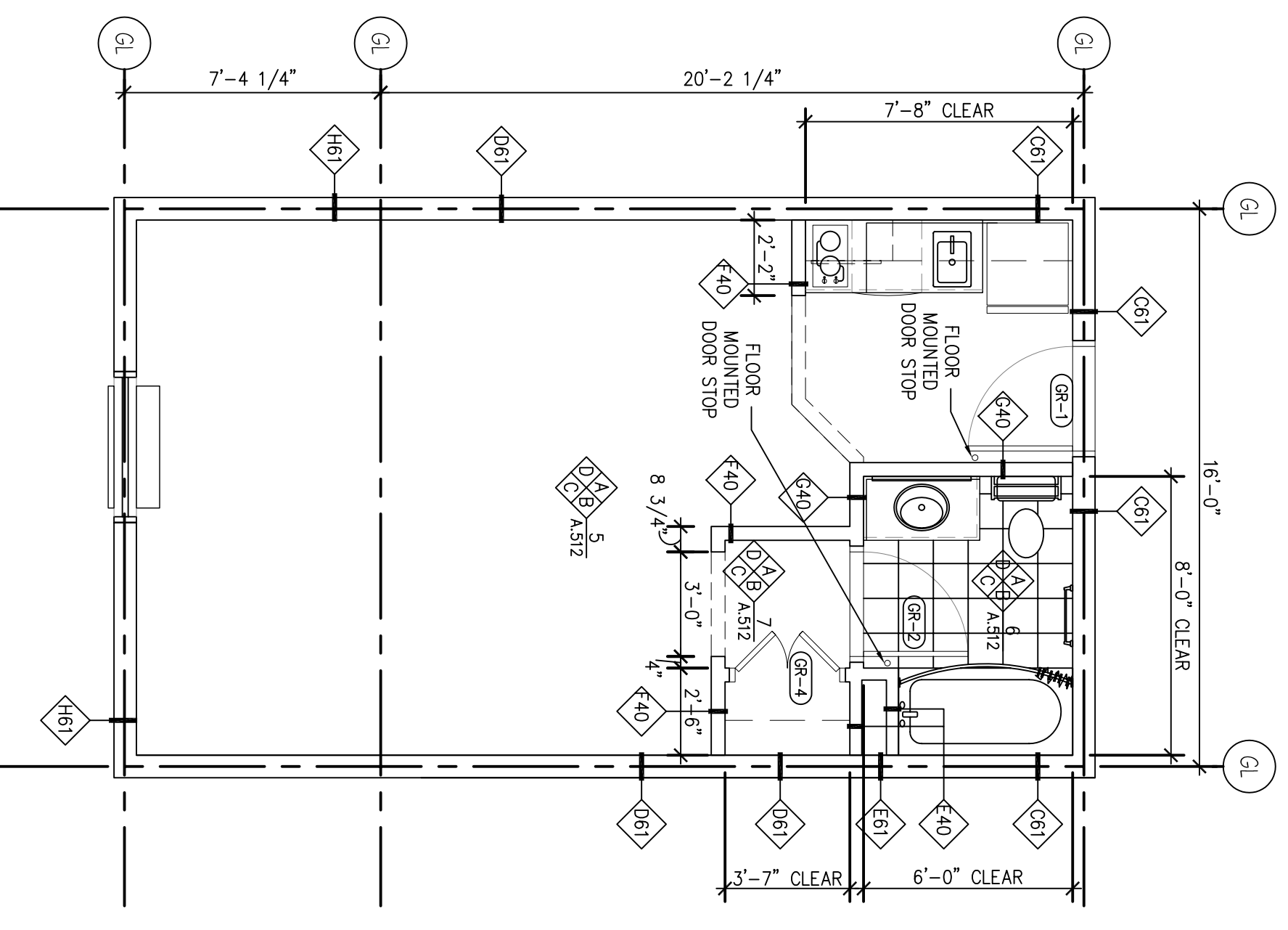
ELECTRICAL PLAN
SCALE: 1/4"=1'-0"



REFLECTED CEILING PLAN
SCALE: 1/4"=1'-0"



FLOOR FINISH/FFEP PLAN
SCALE: 1/4"=1'-0"



ARCHITECTURAL FLOOR PLAN
SCALE: 1/4"=1'-0"

REVISIONS

| # | DESCRIPTION | DATE |
|---|-------------|------|
| | | |
| | | |
| | | |
| | | |

DAMMON ENGINEERING, INC.
LOUISIANA & MISSISSIPPI

Chief Engineer: Brian Mistich, PE
554 Old Spanish Trail
Slidell, LA 70458

www.dammonengineering.com
info@dammonengineering.com
PH: 985.649.5832 F: 985.641.5950

MAIN STAY SUITES

100 MAIN STREET
LOT #1 LA HWY 27
HACKBERRY, LA 70645

JOB No: 2265 DATE: FEBRUARY, 2016
DRAWN BY: JTL CHECKED BY: JMS

The above drawings and specifications, design and engineering are the property of Dammon Engineering, Inc. and shall remain the property of Dammon Engineering, Inc. and no part thereof shall be copied, reproduced, or used in connection with any work or project other than that for which they were prepared and intended. Dammon Engineering, Inc. shall not be held responsible for any errors or omissions in these drawings and specifications. The contractor shall verify all dimensions and conditions of work before beginning any work. Dammon Engineering, Inc. shall not be held responsible for any errors or omissions in these drawings and specifications. The contractor shall verify all dimensions and conditions of work before beginning any work.

A309

DRAWING NUMBER:
SHEET TITLE:
DOUBLE QUEEN SUITE
DETAILS

SHEET NO: 33 OF 52