

15 PUBLIC RESTROOM VANITY SECTION

12 NOT USED

9 FOOD PREP & BREAKROOM SECTION

6 FOOD PREP & BREAKROOM SECTION

3 FOOD PREP & BREAKROOM SECTION

REVISIONS		DATE

#	DESCRIPTION

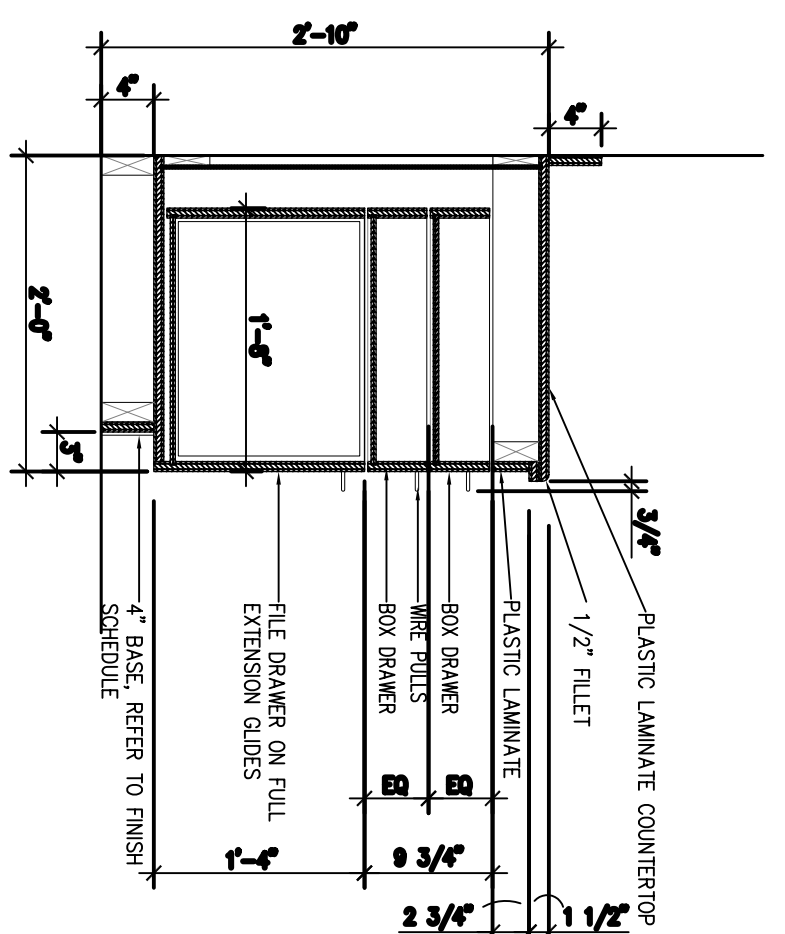
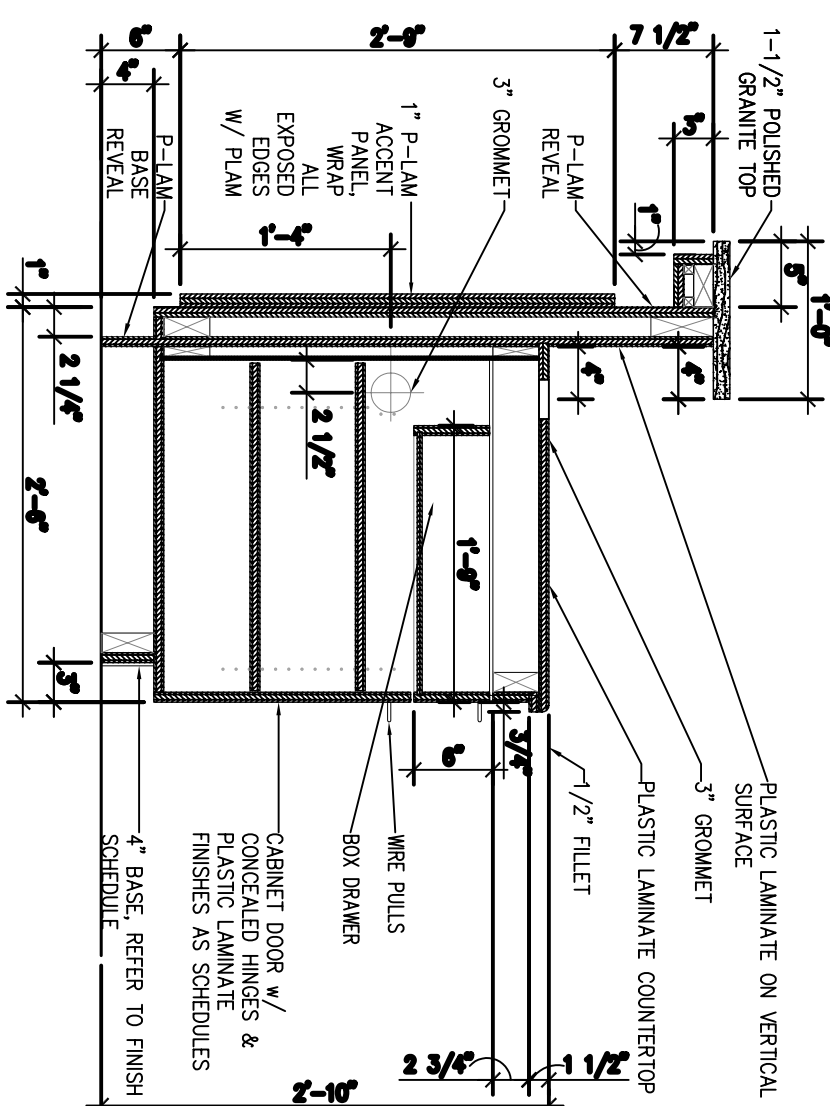
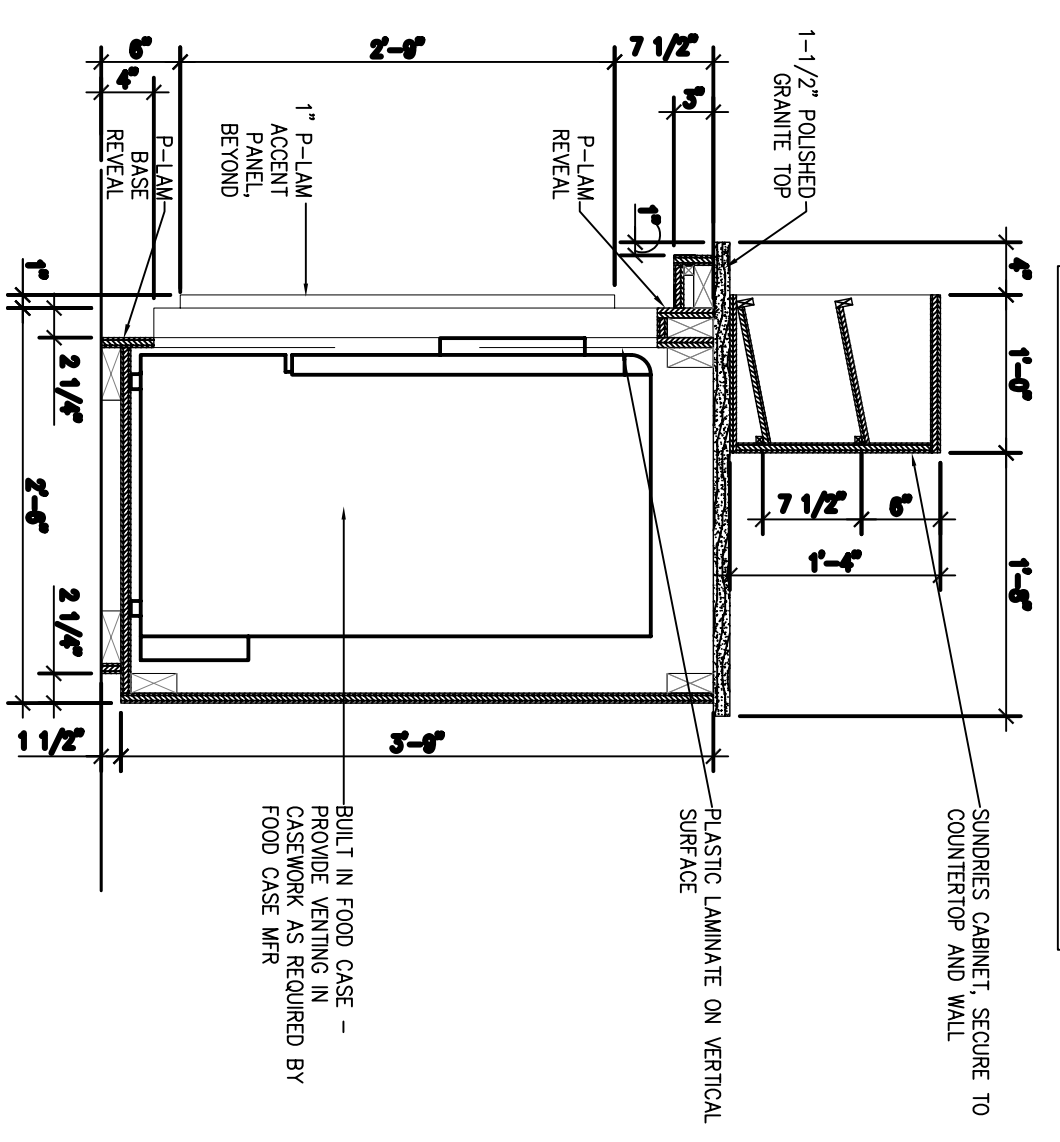
14 NOT USED

11 NOT USED

8 FOOD CASE SECTION

5 RECEPTION DESK SECTION

2 RECEPTION DESK SECTION



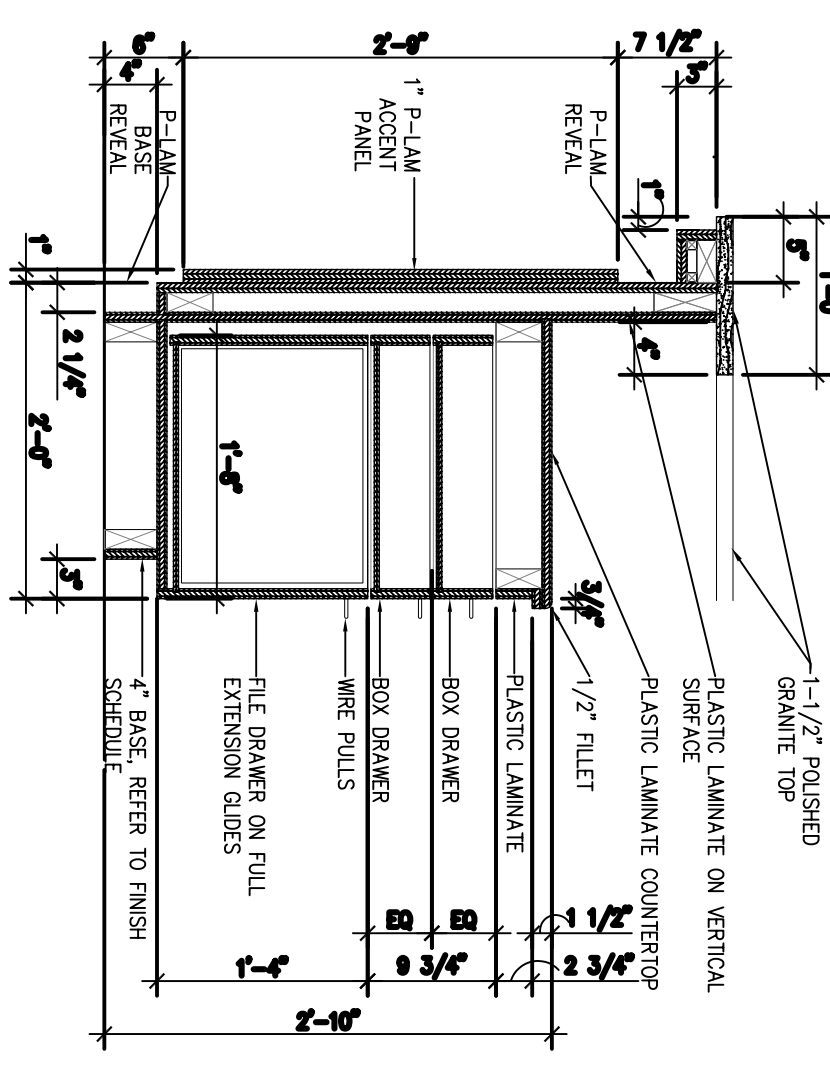
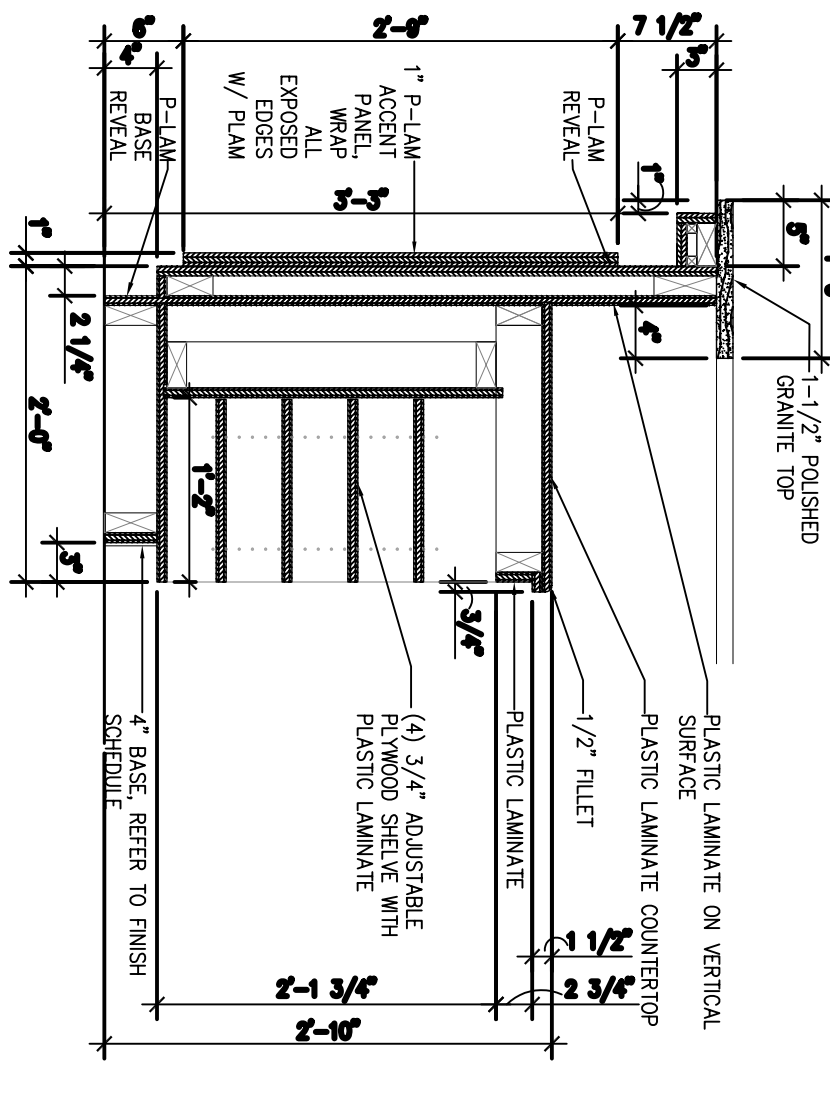
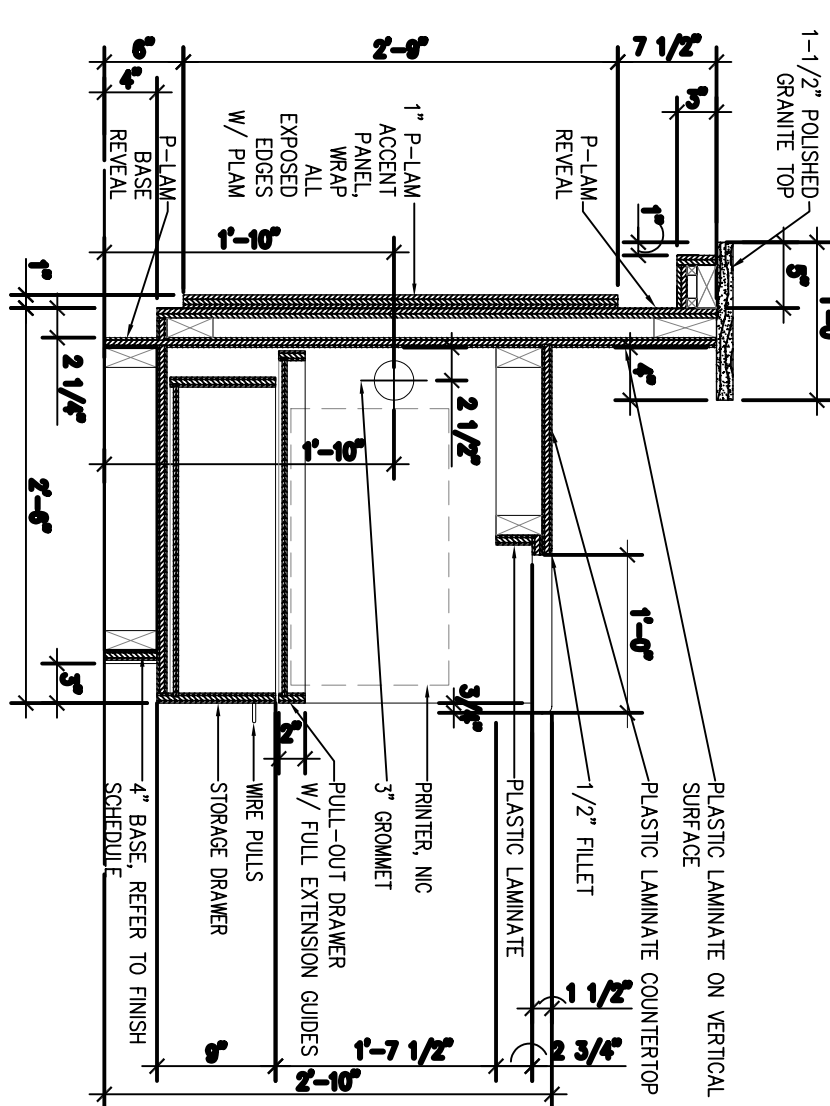
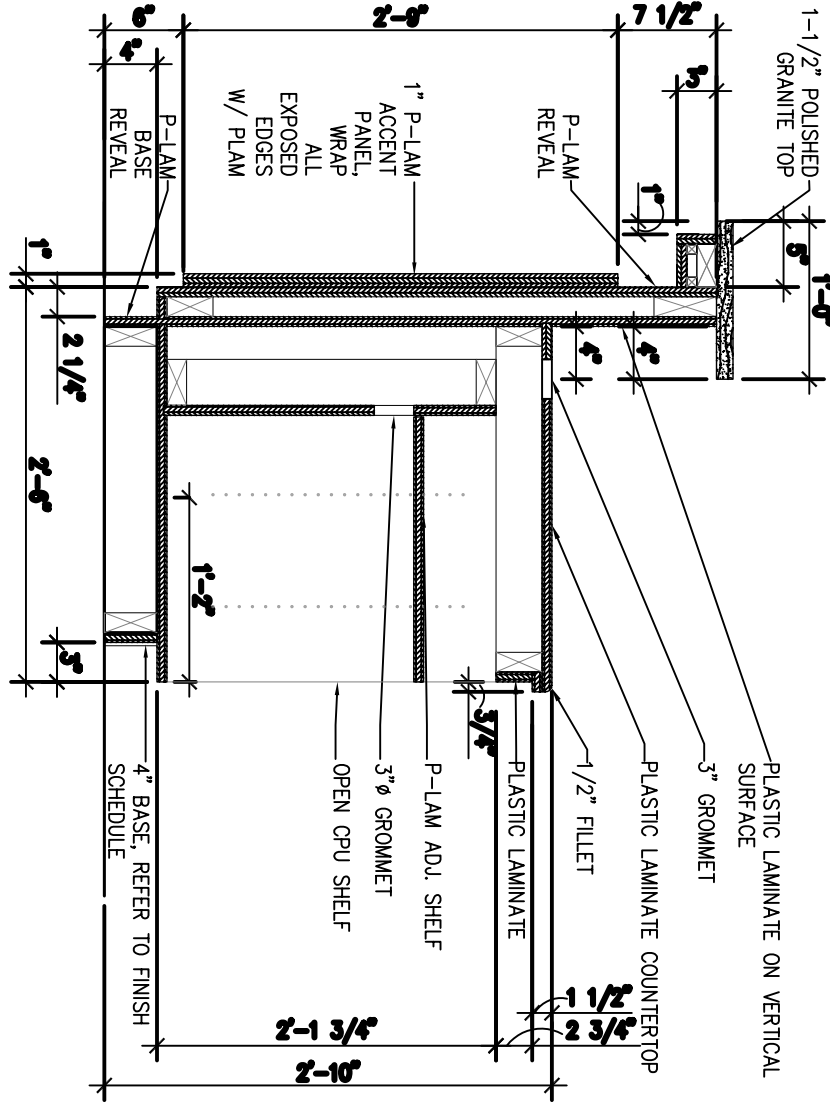
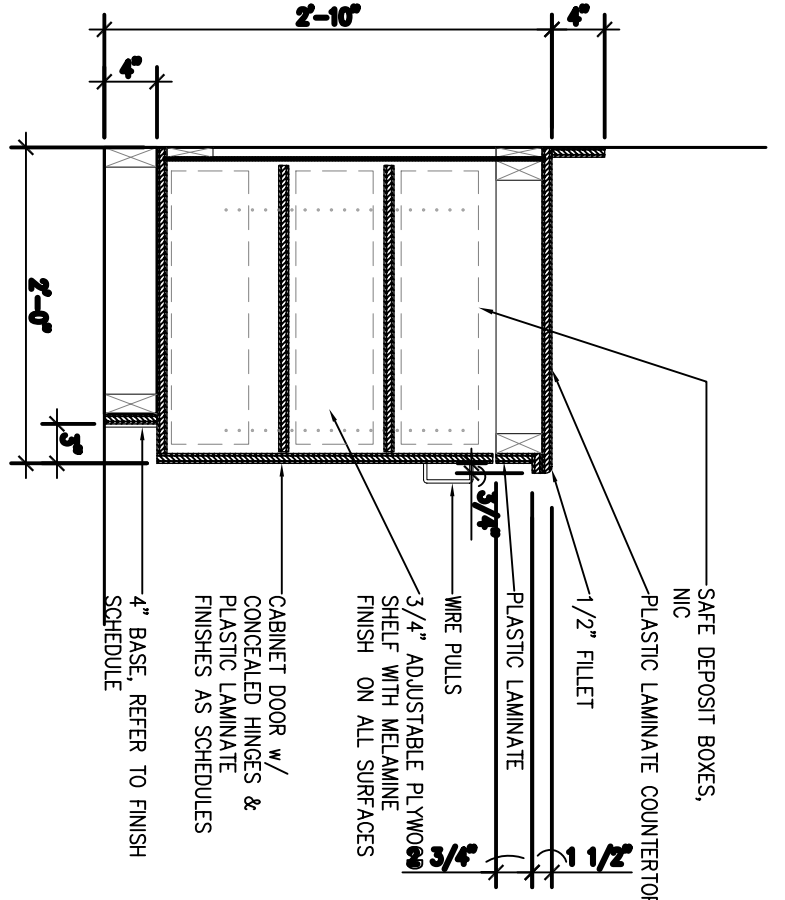
CONCEALED SURFACES = MELAMINE FINISH
EXPOSED SURFACES = PLASTIC LAMINATE PER SCHED

CONCEALED SURFACES = MELAMINE FINISH
EXPOSED SURFACES = PLASTIC LAMINATE PER SCHED

CONCEALED SURFACES = MELAMINE FINISH
EXPOSED SURFACES = PLASTIC LAMINATE PER SCHED

CONCEALED SURFACES = MELAMINE FINISH
EXPOSED SURFACES = PLASTIC LAMINATE PER SCHED

CONCEALED SURFACES = MELAMINE FINISH
EXPOSED SURFACES = PLASTIC LAMINATE PER SCHED



SHEET NO: **A401**

DRAWING NUMBER: **MILLWORK DETAILS**

MAINSTAY SUITES

100 MAIN STREET
LOT #1 LA HWY 27
HACKBERRY, LA 70645

JOB NO: 2265 DATE: FEBRUARY, 2016

DRAWN BY: JTL CHECKED BY: JMS

The above drawings and specifications, design and engineering are the property of Dammon Engineering, Inc. and shall remain the property of Dammon Engineering, Inc. and no part thereof shall be copied, reproduced, or transmitted in any form or by any means, electronic, mechanical, photocopying, recording, or by any information storage and retrieval system, without the prior written consent of Dammon Engineering, Inc. Please contact with Dammon Engineering, Inc. for more information.

DAMMON ENGINEERING, INC.

LOUISIANA & MISSISSIPPI

Chief Engineer: Brian Mistick, PE
554 Old Spanish Trail
Slidell, LA 70458

www.dammonengineering.com
info@dammonengineering.com
PH: 985.649.5832 F: 985.641.5950