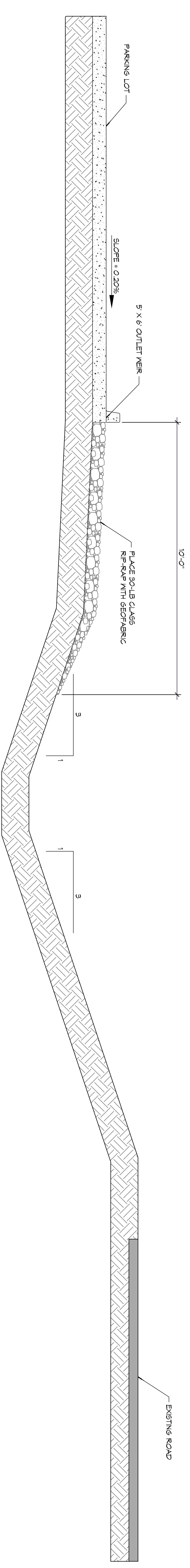
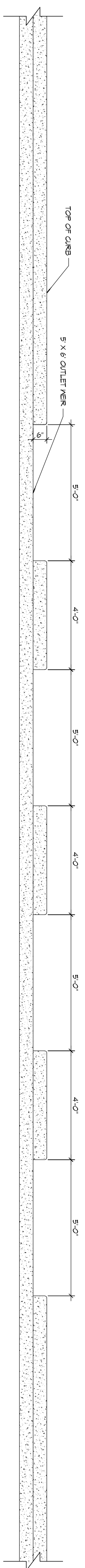
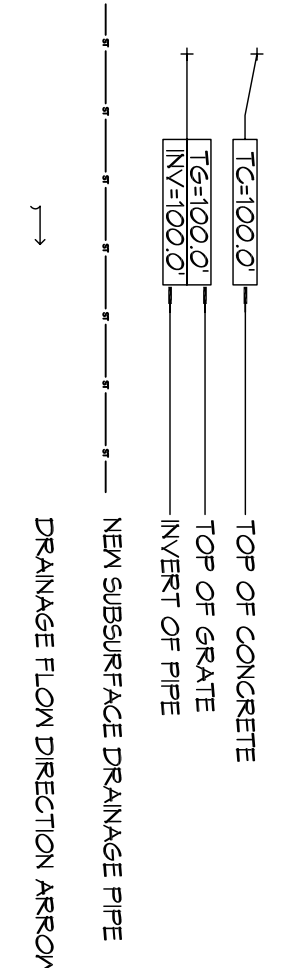


- ### GENERAL NOTES
1. DRAIN PIPES MUST BE THE BELL AND SPIGOT TYPE WITH 1/2" RING RUBBER GASKETS. THE BELLS OF THE PIPES SHALL BE LAID UPSTREAM. ALL JOINTS SHALL BE WRAPPED WITH GEOTEXTILE FABRIC. ALL PIPES SHALL REQUIRE A 3" COMPACTED SAND OR LIMESTONE BASE.
  2. REMOVE DEBRIS AND CLEAN BOTTOM OF DITCHES DOWN 6" IN DEPTH - REPLACE ANY BROKEN/CRUSHED PIPES OR CULVERTS WITH SAME SIZE AND TYPE.
  3. DRAIN PIPE AND FITTINGS WITHIN PROPERTY LINE SHALL BE POLYVINYL CHLORIDE PLASTIC PIPE, WEIGHT CLASS 100 C-400 PVC.
  4. ELEVATIONS SHOWN ARE MSL.
  5. FIELD VERIFY ALL ELEVATIONS AND AND DRAINAGE SYSTEM PLACEMENT PRIOR TO START OF WORK.
  6. PROVIDE VERTICAL ELBOW AT DOWNSPOUTS FOR CONNECTION TO SUBSURFACE DRAINAGE WHERE INDICATED. ELBOW ID SHALL BE SIZED SUCH THAT THE DOWNSPOUT CAN BE INSERTED INTO THE PIPE OPENING WITHOUT DEFORMATION TO THE DOWNSPOUT.

### SITE DRAINAGE LEGS



### B TYPICAL CROSS SECTION

### A SECTION

### 1 DETAIL

Chief Engineer: Brian Mistich, PE  
554 Old Spanish Trail  
Stidell, LA 70458



www.dammoneengineering.com  
info@dammoneengineering.com  
PH: 985.649.5832 F: 985.641.5950

| REVISIONS |             | DATE |
|-----------|-------------|------|
| #         | DESCRIPTION |      |
|           |             |      |
|           |             |      |
|           |             |      |



**MAINSTAY SUITES**

100 MAIN STREET  
LOT #1 LA HWY 27  
HACKBERRY, LA 70645

JOB No: 2265 DATE: FEBRUARY, 2016

DRAWN BY: JHM CHECKED BY: BAM

The above drawings and specifications, designs and engineering registered hereby are prepared by, or under the direct supervision of, and no part thereof shall be copied, reproduced, or used in connection with any work or project other than the specific project for which they have been prepared and distributed without written consent of Dammon Engineering, Inc. Please contact with these drawings in specifications and construction details.

SHEET TITLE:  
DRAINAGE DETAILS

DRAWING NUMBER:  
**C105**

SHEET No: 4 OF 52