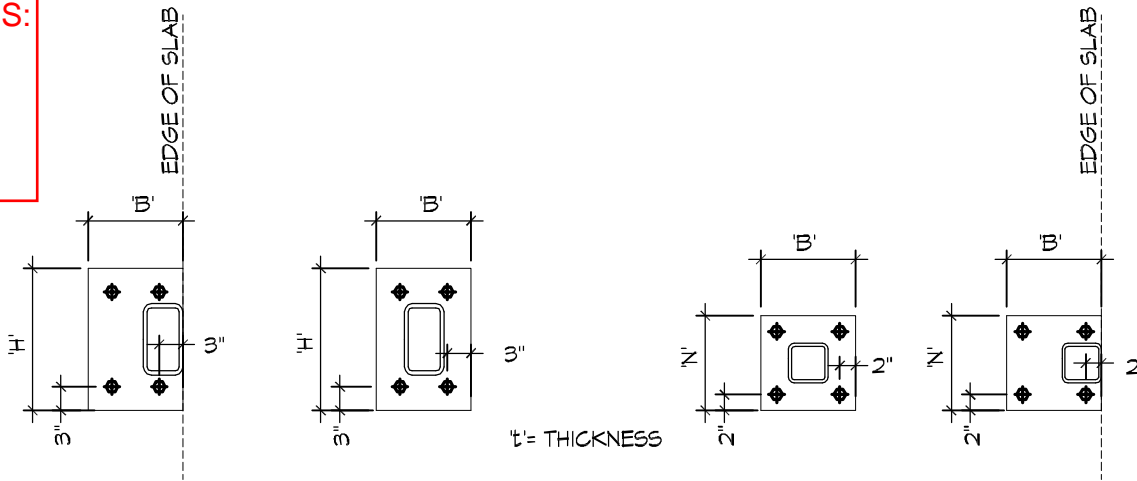


ALL COLUMNS:
 Carbon Steel;
 A500; Gr. B;
 Fy = 46 ksi
 Fu = 58ksi



DESIGNATION	COLUMN SIZE	'B' (in.)	'H' (in.)	't' (in.)	ANCHOR BOLT
C1	HSS 4X4X1/4"	12"	12"	0.375"	(4) 1/2"x12" ANCHOR BOLT W/3" HOOK
C2	HSS 4X4X1/4"	7"	12"	0.75"	(4) 3/4"x12" ANCHOR BOLT W/3" HOOK
C3	HSS 9x5x5/16"	12"	18"	0.75"	(4) 3/4"x16" ANCHOR BOLT W/3" HOOK
C4	HSS 6X6X1/4"	12"	12"	0.5"	(4) 3/4"x16" ANCHOR BOLT W/3" HOOK

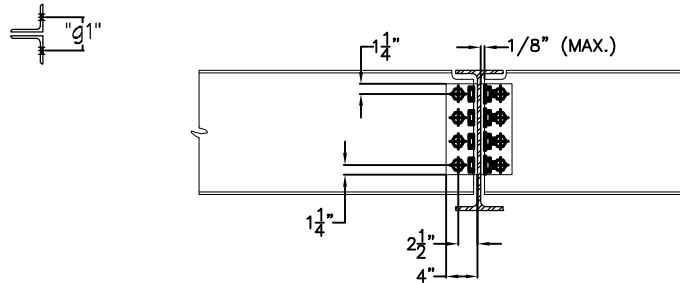
5 STANDARD BASE PLATE CONNECTIONS

SCALE: 3/4"= 1'-0"

BEAM SIZE	ANGLE SIZE	"L" (in.)	"n" (BOLTS)	"g1" (in.)
W8 & W10	L. 4X3 1/2 X 3/8	5 1/2	2	4
W12 & W14	L. 4X3 1/2 X 3/8	8 1/2	3	4
W24	L. 4X3 1/2 X 3/8	20 1/2	7	4

BOLTS TO BE WΦ A325 (UNO)

"n" = # OF ROWS OF BOLTS @ 3" C/C



STANDARD BOLTED BEAM TO E
 CONNECTION DETAILS

ALL BEAMS:
 High Strength
 Low-Alloy;
 A992;
 Fy = 50 ksi;
 Fu = 65 ksi

4 STANDARD BEAM CONNECTIONS

SCALE: 3/4"= 1'-0"