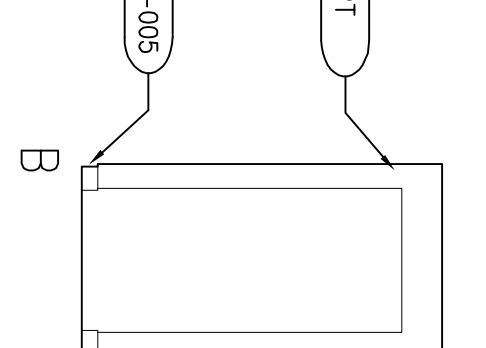
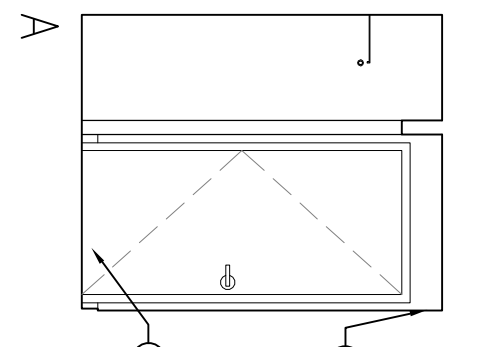
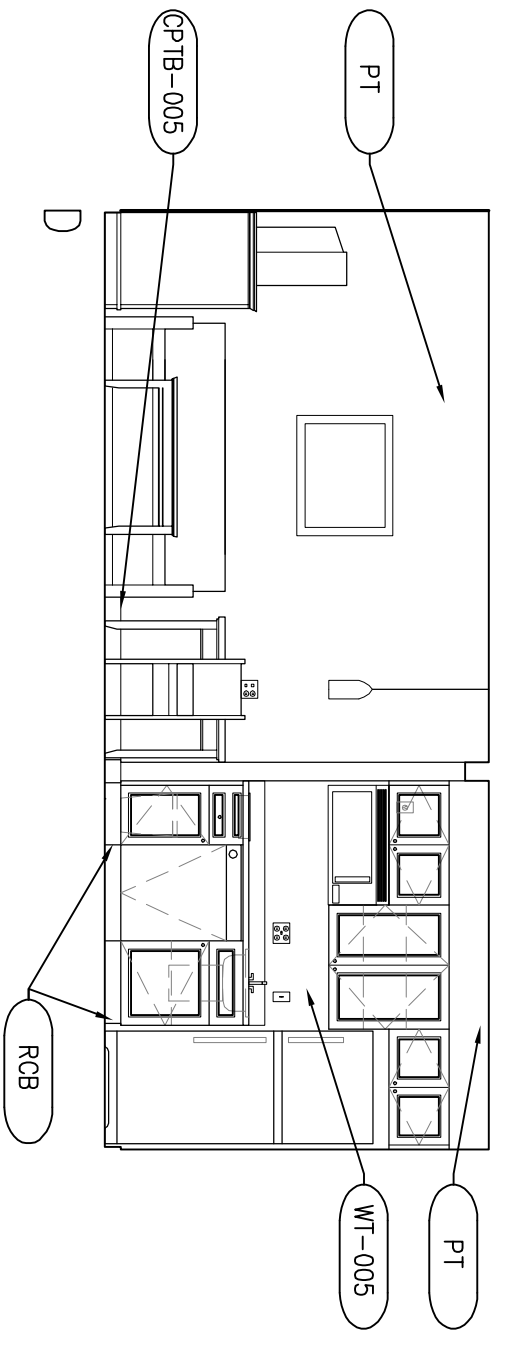
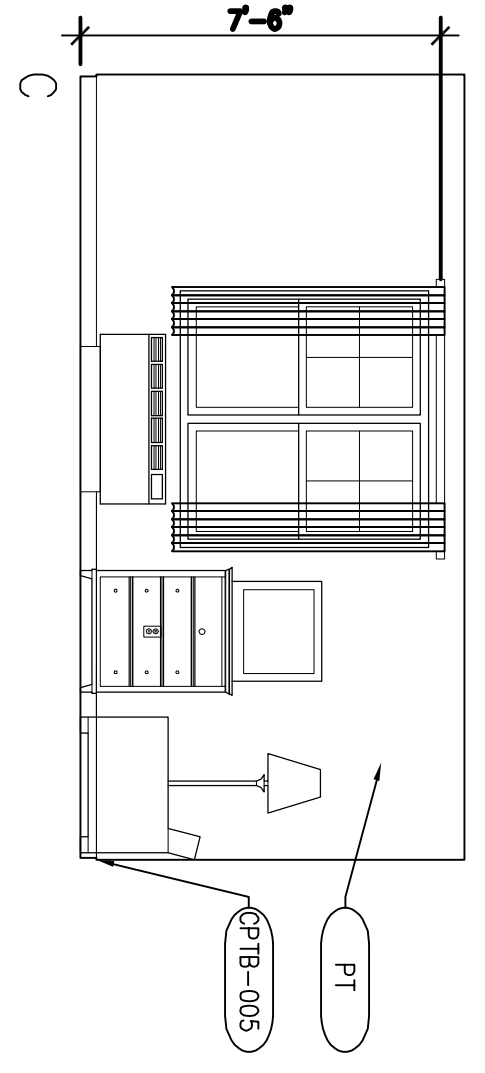
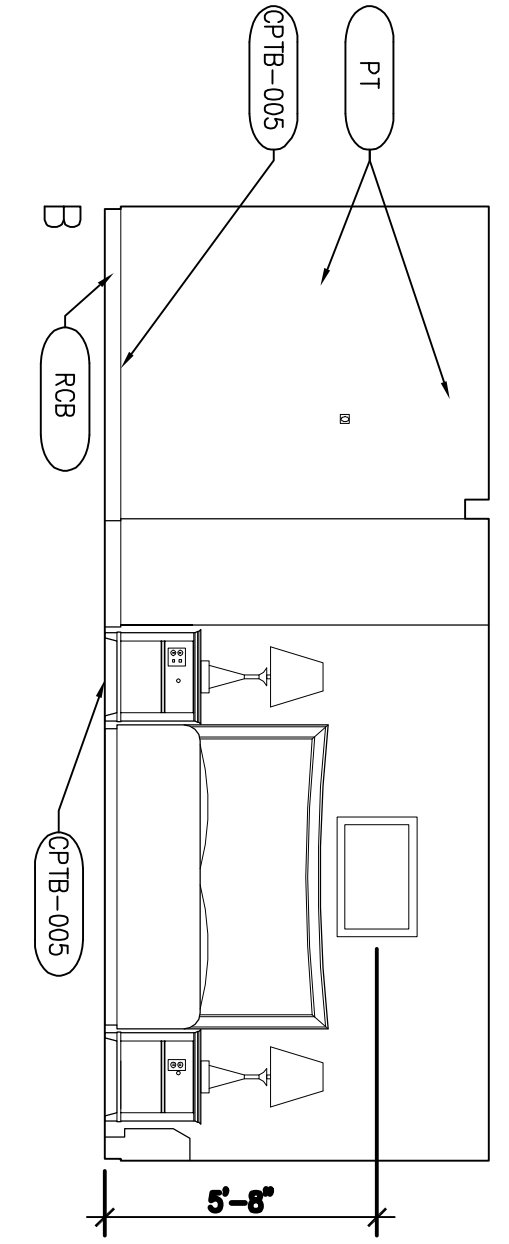
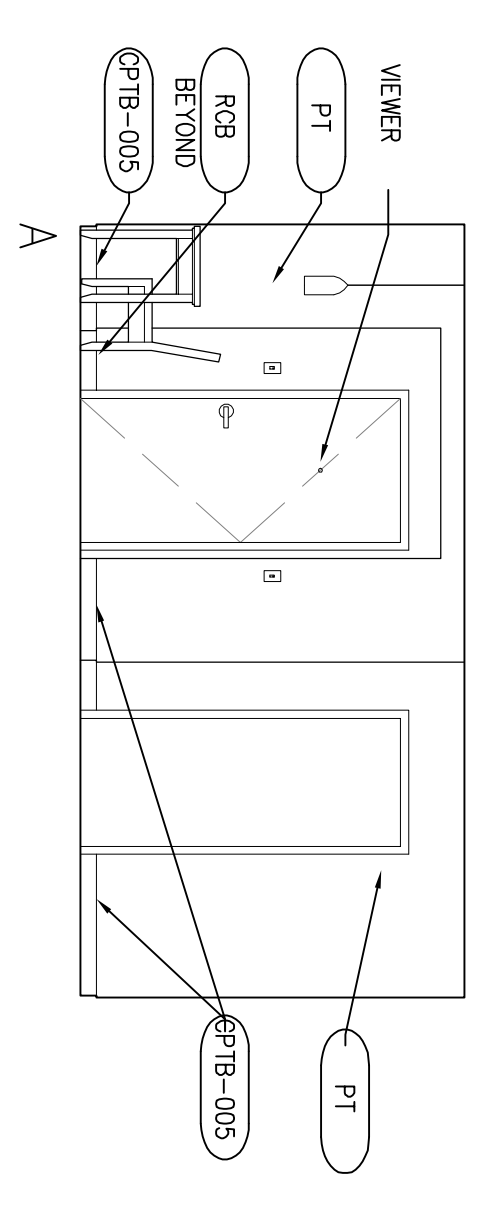


INTERIOR ELEVATIONS
SCALE: 1/4"=1'-0"



INTERIOR ELEVATIONS
SCALE: 1/4"=1'-0"

GUESTROOM GENERAL NOTES	
1.	REFER TO 100' FLOOR PLANS FOR OVERALL GUESTROOM AND WINDOW DIMENSIONS. UNDO.
2.	GRID LINES ARE LOCATED AT THE CENTERLINE OF STUDS.
3.	OVERALL ROOM DIMENSIONS ARE FROM CENTERLINE OF STUD TO CENTERLINE OF STUD. INTERIOR DIMENSIONS ARE FROM FACE OF FINISH TO FACE OF FINISH. UNDO.
4.	FOR PREPARED SECTIONS, A SECTION OF KITCHEN CABINETS, BATHROOM CABINET, A DRESSING ROOM CLOSET SYSTEM, REFER TO SHEET A.02, A.03.
5.	PLUMBING CHASE SHALL HAVE A FIRESTOP AT EACH FLOOR.
6.	VAULTING, BY CODE, MINIMUM REQUIRED SEPARATION BETWEEN GUESTROOMS AT PLUMBING CHASE WALLS.

GUESTROOM CEILING NOTES	
1.	TYPICAL CEILING FINISH HEIGHT SHALL BE 8'-0" CLEAR AFFER DOORS 1 THROUGH 3; UNDO. 9'-0" FOURTH FLOOR HEIGHT.
2.	TYPICAL CEILING FINISH HEIGHT FOR BATHROOMS AND DRESSING ROOMS SHALL BE 7'-6" CLEAR AFF. UNDO.
3.	TYPICAL CEILING FINISH FOR BEDROOMS, LIVING ROOMS, AND DRESSING ROOMS SHALL BE REQUIRED PAINTED GPF BD, UNDO.
4.	TYPICAL CEILING FINISH FOR BATHROOMS AND KITCHENS SHALL BE SMOOTH PAINTED GPF BD, UNDO.
5.	SOFFITS SHALL BE SMOOTH PAINTED FINISH ON GPF BD.
6.	CENTER SINGLE SURFACE MOUNTED LIGHT FIXTURES IN CEILING, UNDO.
7.	CENTER SPRINKLER HEADS IN SPACES.

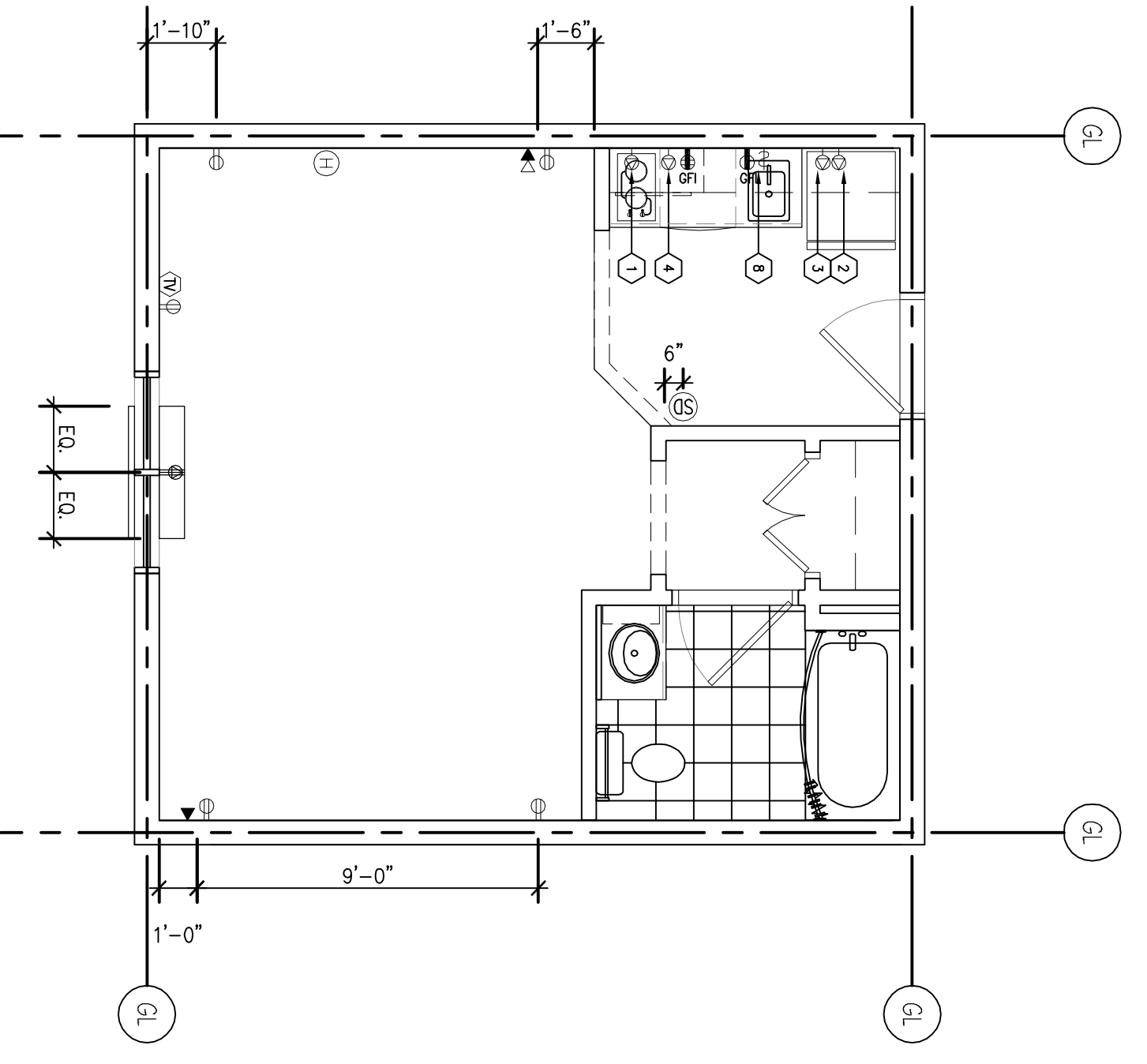
AREA	WALLS	TRIMS	DOORS	FLOORS	CONVERT	BASE	CEILING	OTHER
GUESTROOM	VL-005	PT-005	PT-005	CP1-005	USE	CP1B-005	CP1B-005	
KITCHEN	VL-005			WF-005		RCB-005		
BATHROOM	VL-005	PT-005	PT-005	CP-005		CTB-005		

GENERAL FINISH NOTE: REFER TO REF FOR CEILING FINISH. REFER TO FPEE PLAN FOR FLOOR FINISH. REFER TO INTERIOR ELEVATIONS FOR WALL FINISH.

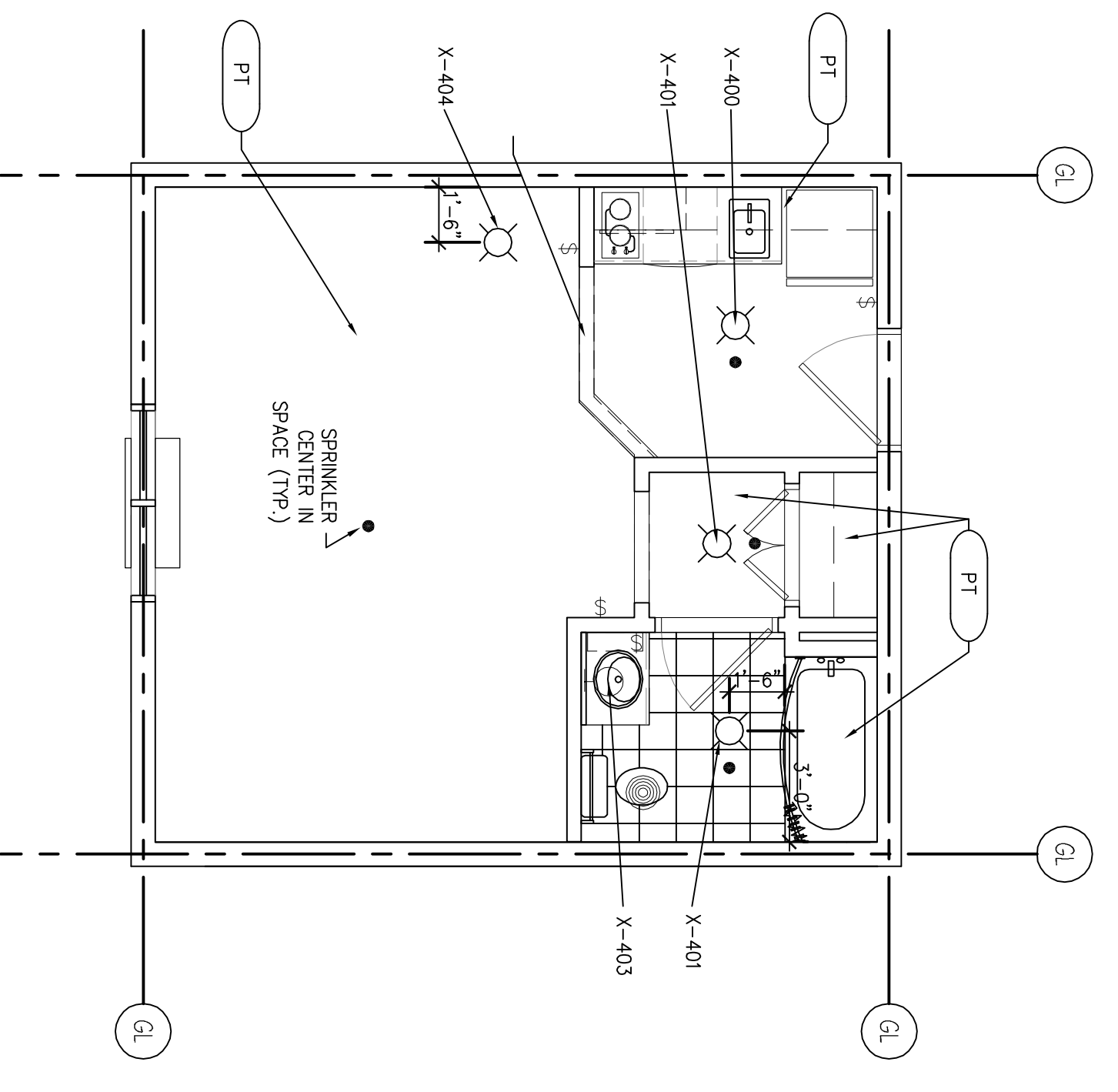
LIGHT & POWER SYMBOLS LEGEND		TOILET & BATH ACCESSORY SCHEDULE		
SYMBOL	DESCRIPTION	ITEM#	DESCRIPTION	LOC.
☉	CEILING MOUNTED LIGHT FIXTURE	TA-05	TOILET	FRG, GR, ADA, GR
☉	PENDANT LIGHT FIXTURE	TA-06	CONTINUOUS TOILET GRAB BAR (SURFACE MOUNTED)	GR, GR, ADA, GR
☉	FLOOR LAMP	TA-07	SINK / COUNTER MOUNTING (HEIGHT)	ADA, GR
☉	DESIGNABLE LAMP	TA-08	MIRROR, SURFACE MOUNTED (BOTTOM @ 40" AFF)	GR, GR, ADA, GR
☉	SMOKE DETECTOR	TA-09	TOWEL BAR (24" @ 54" AFF 24" @ 54" AFF 24" @ 54" AFF)	ADA, GR
☉	DOOR BELL W/ LIGHT (REDUCING MARKED ROOMS)	TA-10	TOWEL BAR (11" @ 54" AFF) SURFACE MOUNTED	GR, GR, ADA, GR
☉	COMPUTER/DATA OUTLET	TA-11	TOILET TISSUE DISPENSER (SINGLE ROLL / RECESSED)	FRG, GR, ADA, GR
☉	THROWSTAY	TA-12	TUB GRAB BAR, SURFACE MOUNTED (NON HANDCAPPED)	GR
☉	EXHAUST FAN	TA-13	CURBED SHOWER CURTAIN ROD SURFACE MOUNTED, (MOUNTING HEIGHT = SEE SCHEDULE)	GR, GR, ADA, GR
☉	QUADPLEX RECEPTACLE	TA-14	FOLDING SHOWER SEAT, SURFACE MOUNTED	ADA, GR
☉	G.F.I. RECEPTACLE	TA-15	2" TUB GRAB BAR (HEAD END, SURFACE MTD)	ADA, GR
☉	SPECIAL RECEPTACLE	TA-16	24" TUB GRAB BAR, 2 RECD (SIDE WALL, SURFACE MTD.)	ADA, GR
☉	PIAC RECEPTACLE	TA-17	24" TUB GRAB BAR (HEAD END, SURFACE MTD)	ADA, GR
☉	DUPLEX RECEPTACLE & TELEPHONE OUTLET W/ COMMON PLATE	TA-18	SHOWER GRAB BARS SURFACE MOUNTED	ADA, GR
☉	DUPLEX RECEPTACLE, TEL/COMP DATA OUTLET W/ COMMON PLATE	TA-19	ROBE/COAT HOOK	GR
☉	PIAC RECEPTACLE/SINGLE POLE SWITCH WITH COMMON PLATE	TA-20	ROBE/COAT HOOK, 48"	ADA, GR
☉	SINGLE POLE SWITCH	TA-21	HAIR DRYER	GR, GR, ADA, GR
☉	DOUBLE POLE SWITCH	TA-22	SHOWER HEAD & CONTROLS (MOUNTING HEIGHT = SEE SCHED)	GR
☉	THREE WAY SWITCH	TA-23	SHOWER HEAD & CONTROLS (MOUNTING HEIGHT = SEE SCHED)	ADA, GR
☉	FOUR WAY SWITCH	TA-24	COLORLED SHELF, 24"	GR
☉	WALL MOUNTED OCCUPANCY SENSOR W/ SWITCH	TA-25	SOAP DISH, 42"	GR, GR, ADA, GR

TOILET/BATH ACCESSORY NOTES:

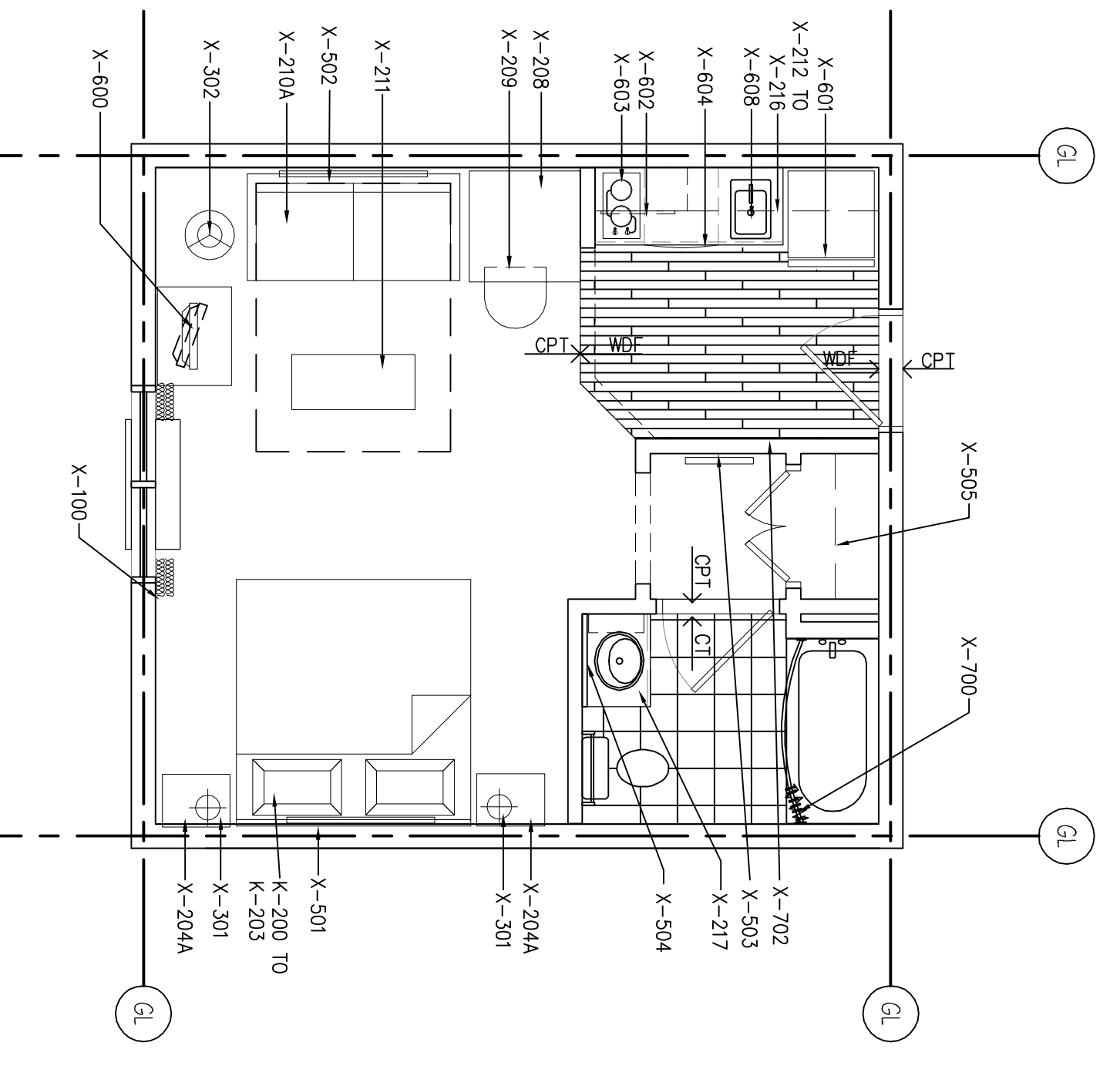
- 1. FRG = PUBLIC RESTROOM
- GR = GUESTROOM
- ADA, GR = ACCESSIBLE GUESTROOM



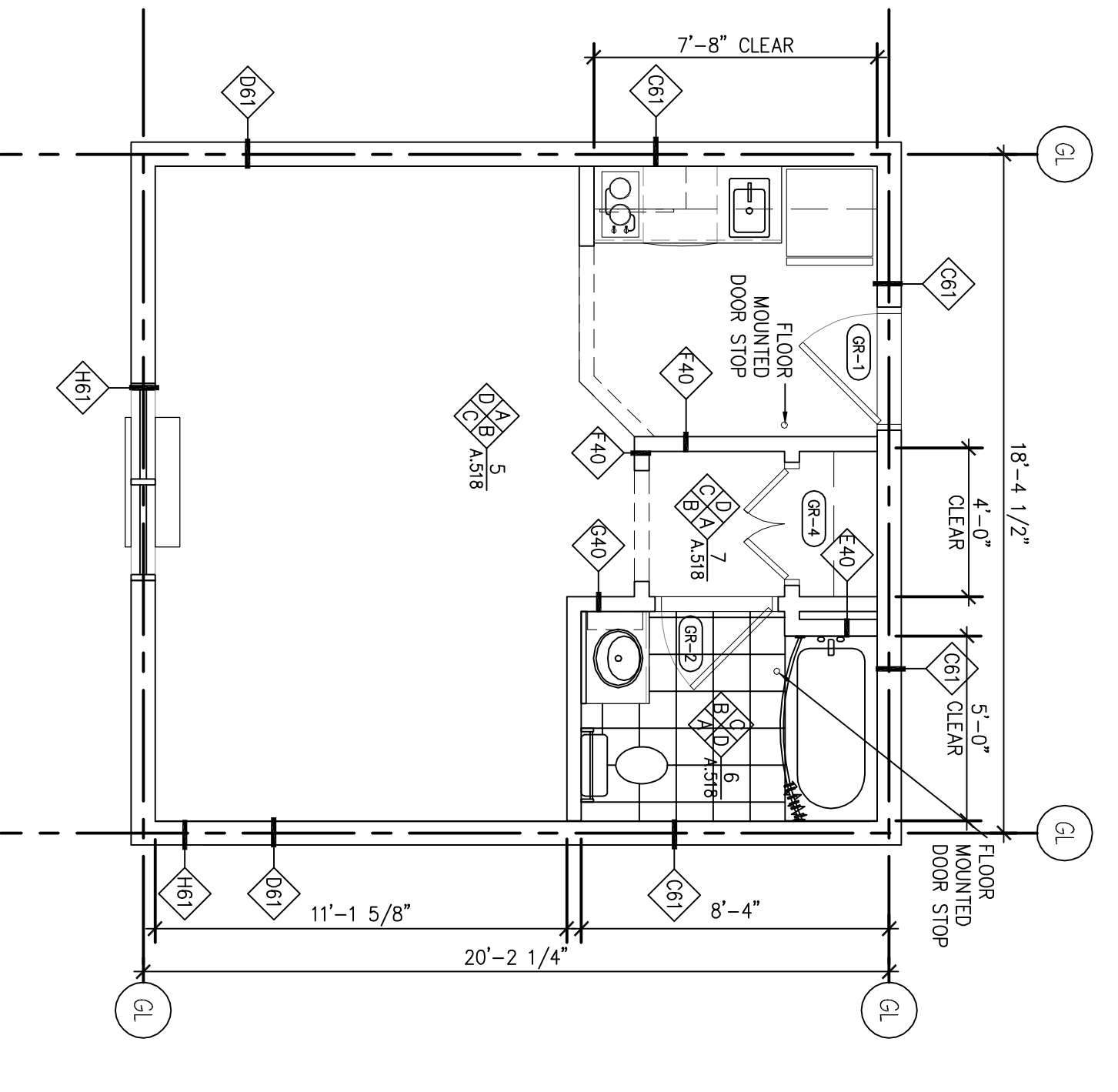
ELECTRIC DEVICE PLAN
SCALE: 1/4"=1'-0"



REFLECTED CEILING PLAN
SCALE: 1/4"=1'-0"



FLOOR FINISH/FFE PLAN
SCALE: 1/4"=1'-0"

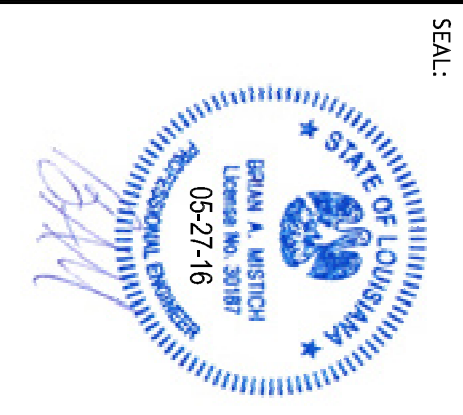


ARCHITECTURAL FLOOR PLAN
SCALE: 1/4"=1'-0"

DAMMON ENGINEERING, INC.
LOUISIANA & MISSISSIPPI

Chief Engineer: Brian Mstich, PE
554 Old Spanish Trail
Slidell, LA 70458

www.dammonengineering.com
info@dammonengineering.com
PH: 985.649.5832 F: 985.641.5950



MAINSTAY SUITES

100 MAIN STREET
LOT #1 LA HWY 27
HACKBERRY, LA 70645

JOB No: 2265 DATE: APRIL, 2016
DRAWN BY: JTL CHECKED BY: JMS

AS11

DRAWING NUMBER:
SHEET NO. 35 OF 52