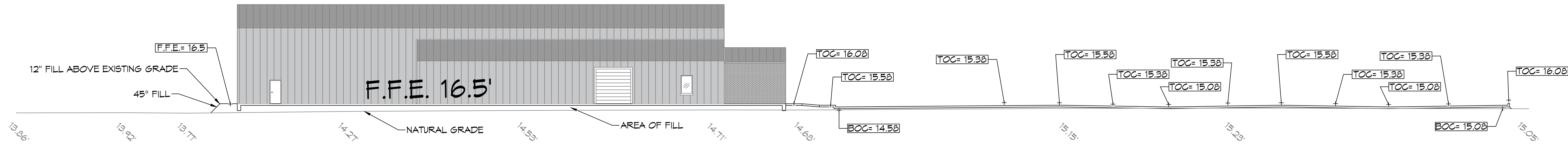
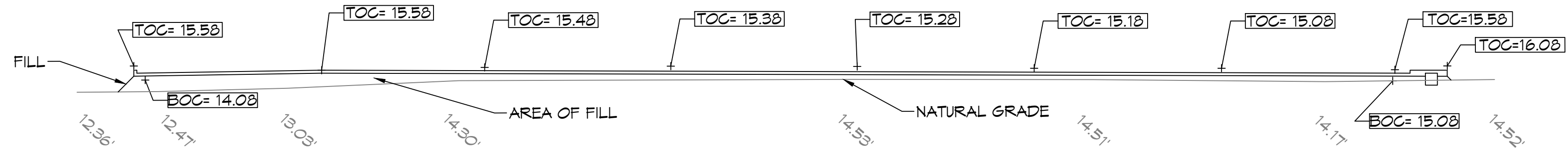


FILE NAME: A:\Projects\2022 - Pope John Paul II High School Auditorium\Drawings\C105 - Site Section.dwg  
 PLOT DATE & TIME: Friday, April 18, 2025 10:29:17 AM  
 PLOT SCALE: 1" = 15'-0"



**A** CROSS SECTION  
 SCALE: 1" = 15'-0"



**B** CROSS SECTION  
 SCALE: 1" = 15'-0"

**DAMMON**  
**ENGINEERING, INC.**  
 LOUISIANA & MISSISSIPPI

Chief Engineer: Brian Mistich, PE  
 554 Old Spanish Trail  
 Slidell, LA 70468  
 www.dammonengineering.com  
 info@dammonengineering.com  
 PH: 985.649.5832 F: 985.641.9950

#	DESCRIPTION	DATE



NEW AUDITORIUM  
 POPE JOHN PAUL II  
 HIGH SCHOOL

1901 JAGUAS DR  
 SLIDELL, LA 70461  
 JOB No: 2522 DATE: 04-10-2026  
 DRAWN BY: BAW CHECKED BY: CKD

SHEET TITLE:  
 SITE SECTION

DRAWING NUMBER:  
**C105**

SHEET No: 7 of 20