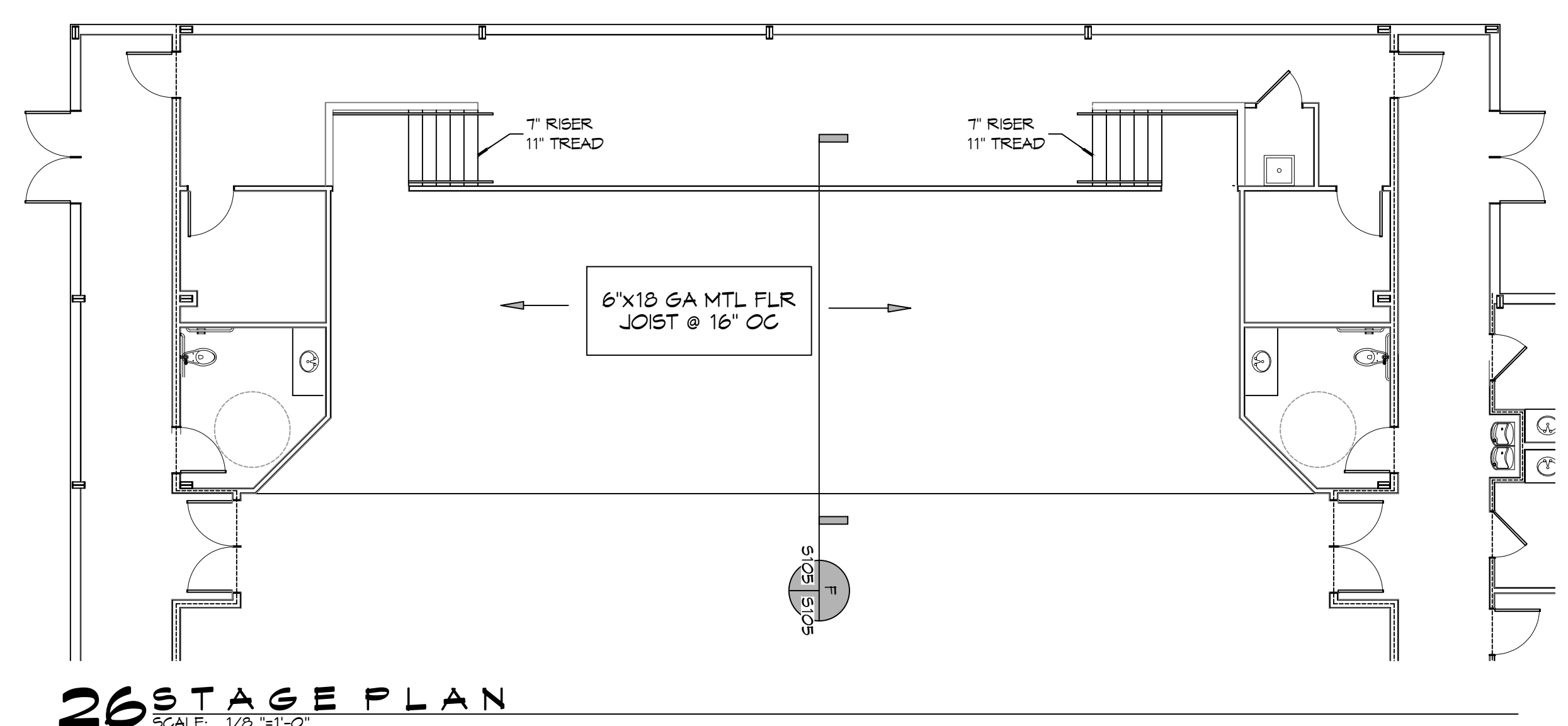
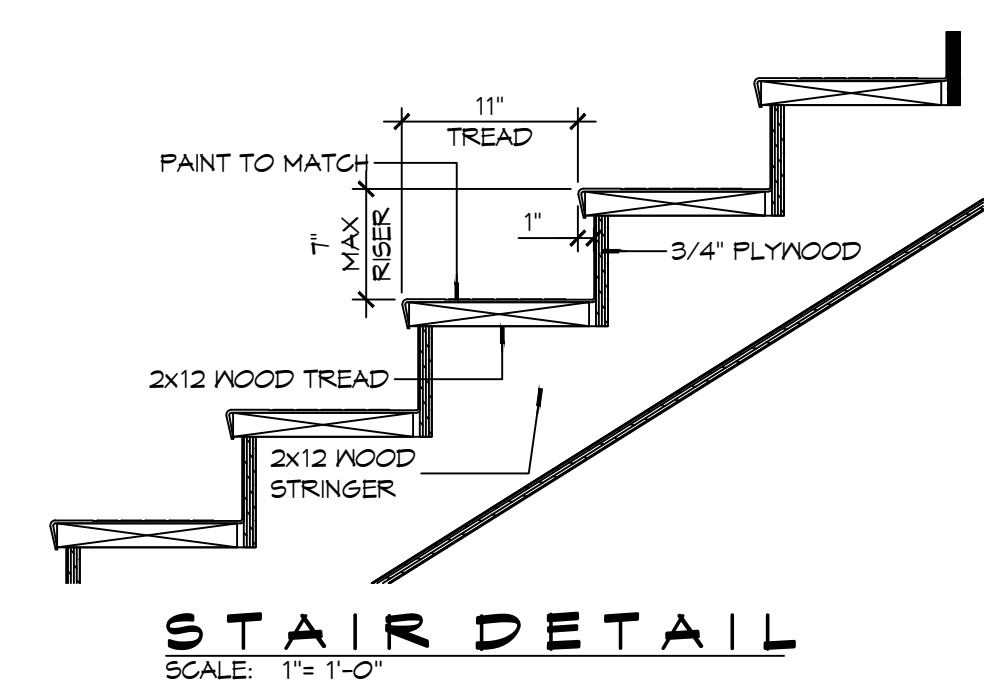


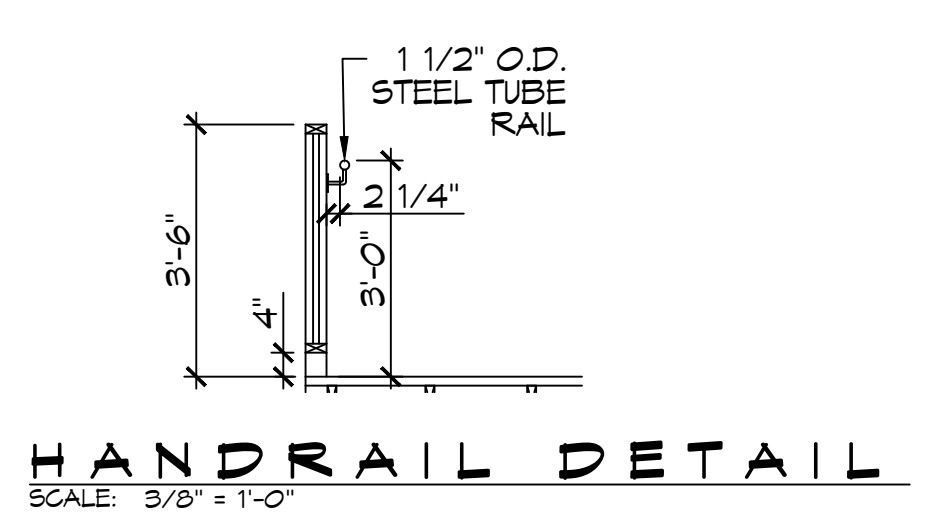
**E BUILDING SECTION**  
SCALE: 3/16" = 1'-0"



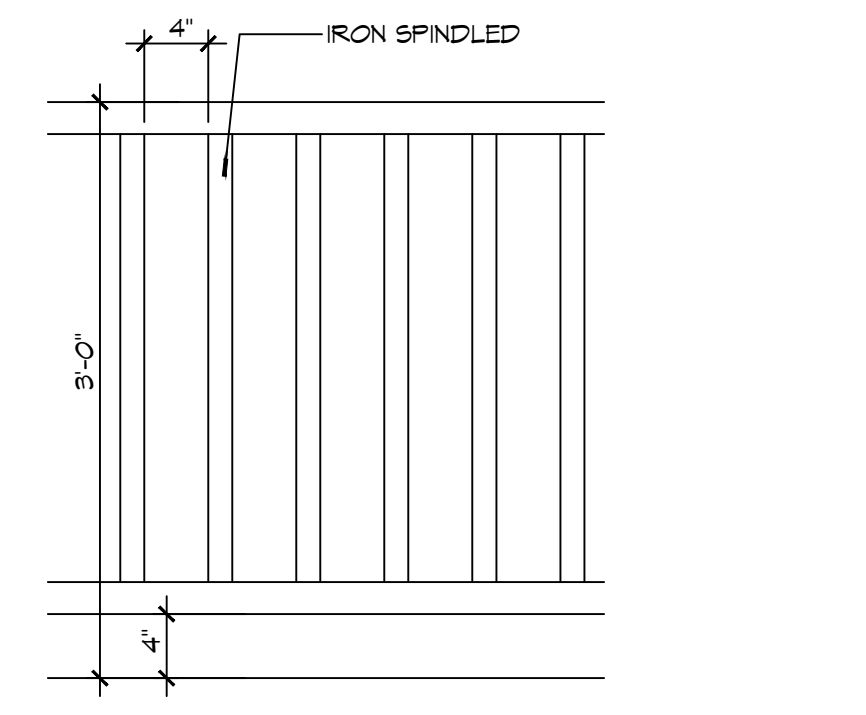
**26 STAGE PLAN**  
SCALE: 1/8" = 1'-0"



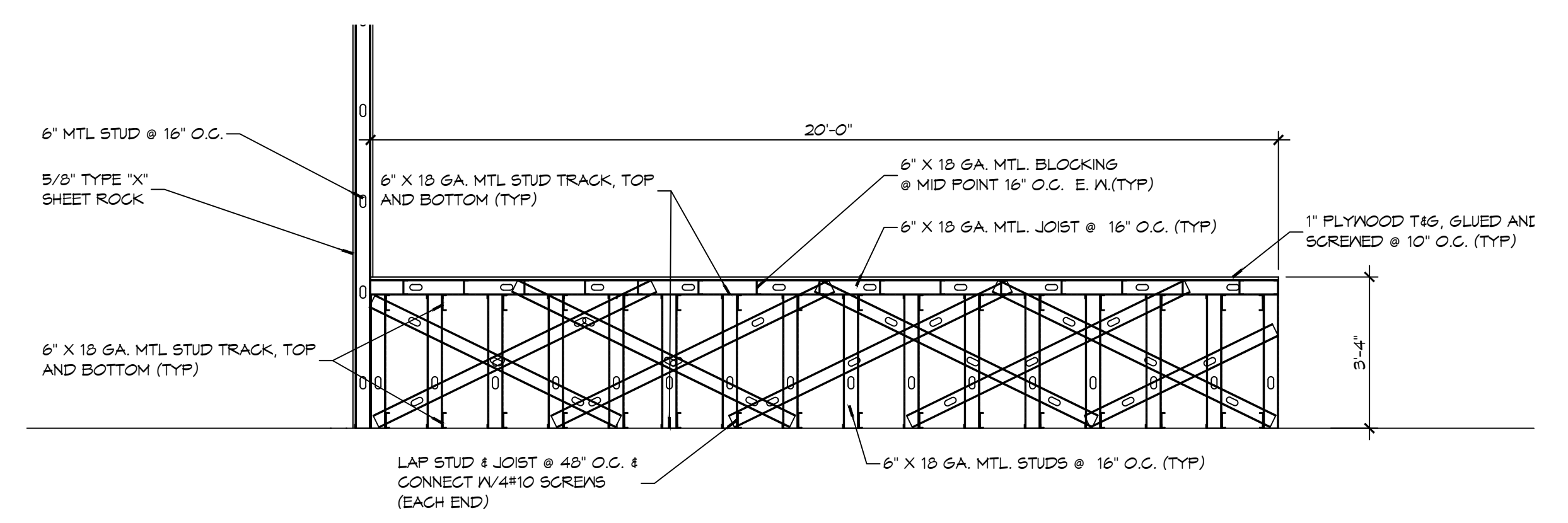
**STAIR DETAIL**  
SCALE: 1" = 1'-0"



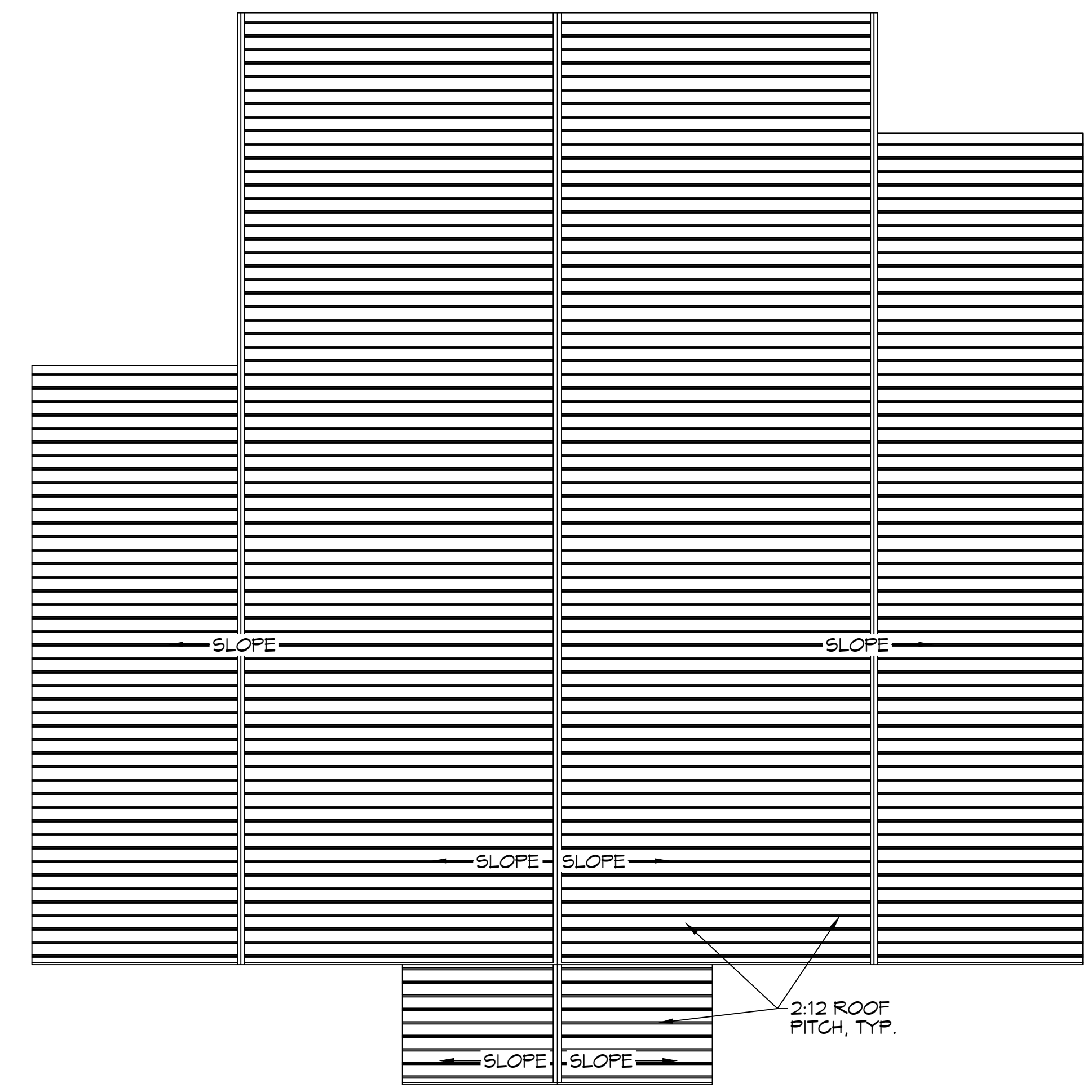
**HANDRAIL DETAIL**  
SCALE: 3/8" = 1'-0"



**GUARD RAIL DETAIL**  
SCALE: 1" = 1'-0"



**F STAGE SECTION**  
SCALE: 3/8" = 1'-0"



**27 ROOF PLAN**  
SCALE: 1/16" = 1'-0"

**DAMMON ENGINEERING, INC.**  
LOUISIANA & MISSISSIPPI  
www.dammonengineering.com  
info@dammonengineering.com  
PH: 985.649.5832 F: 985.641.3950  
Chief Engineer: Brian Mistich, PE  
554 Old Spanish Trail  
Slidell, LA 70458

REVISIONS	DATE	DESCRIPTION



NEW ORLEANS  
ROPE SHOP  
HIGH SCHOOL  
ADDITION  
JULIUM

1401 JAGUARDR  
SLIDELL, LA 70461

DATE: 04-10-2026  
DRAWN BY: CSD  
CHECKED BY: BAN

SHEET TITLE:  
BUILDING SECTION

DRAWING NUMBER:  
**A105**

SHEET No: 14 of 20