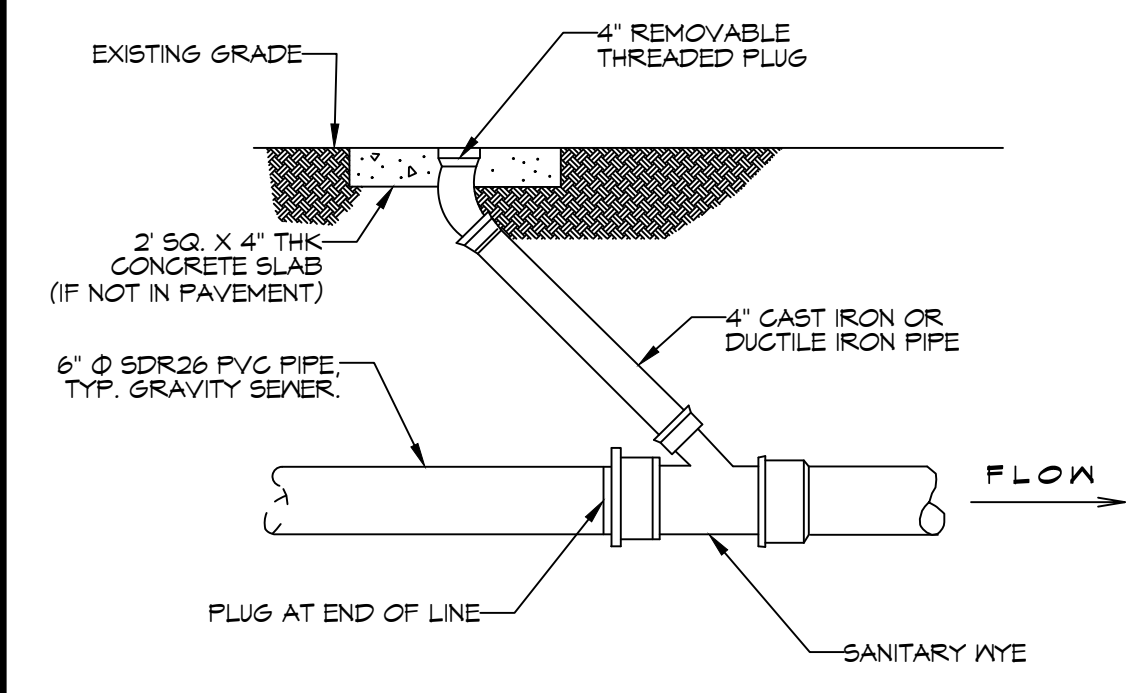
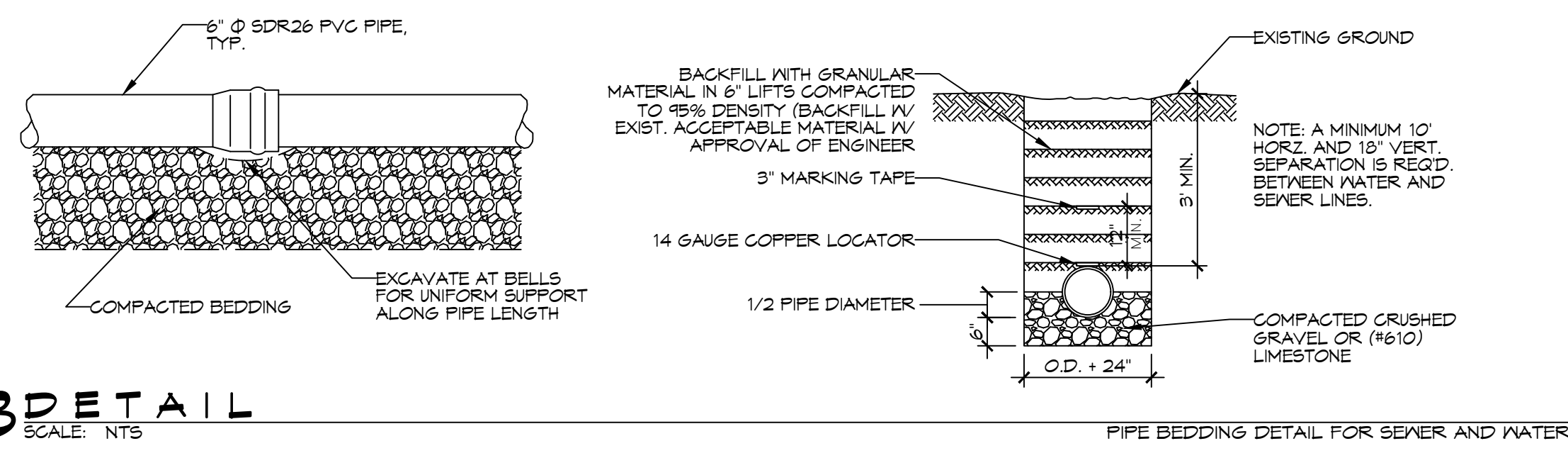


FILE NAME: J:\1 - School Projects\2022 - 2023\John Pope High School\General\DWG\C102 - Site Utilities.dwg  
 USER: John Pope  
 PLOT DATE: 04/25/2023 8:55:52 AM  
 PLOT SCALE: 1"=40'-0"  
 PLOT SHEET: 1 OF 1

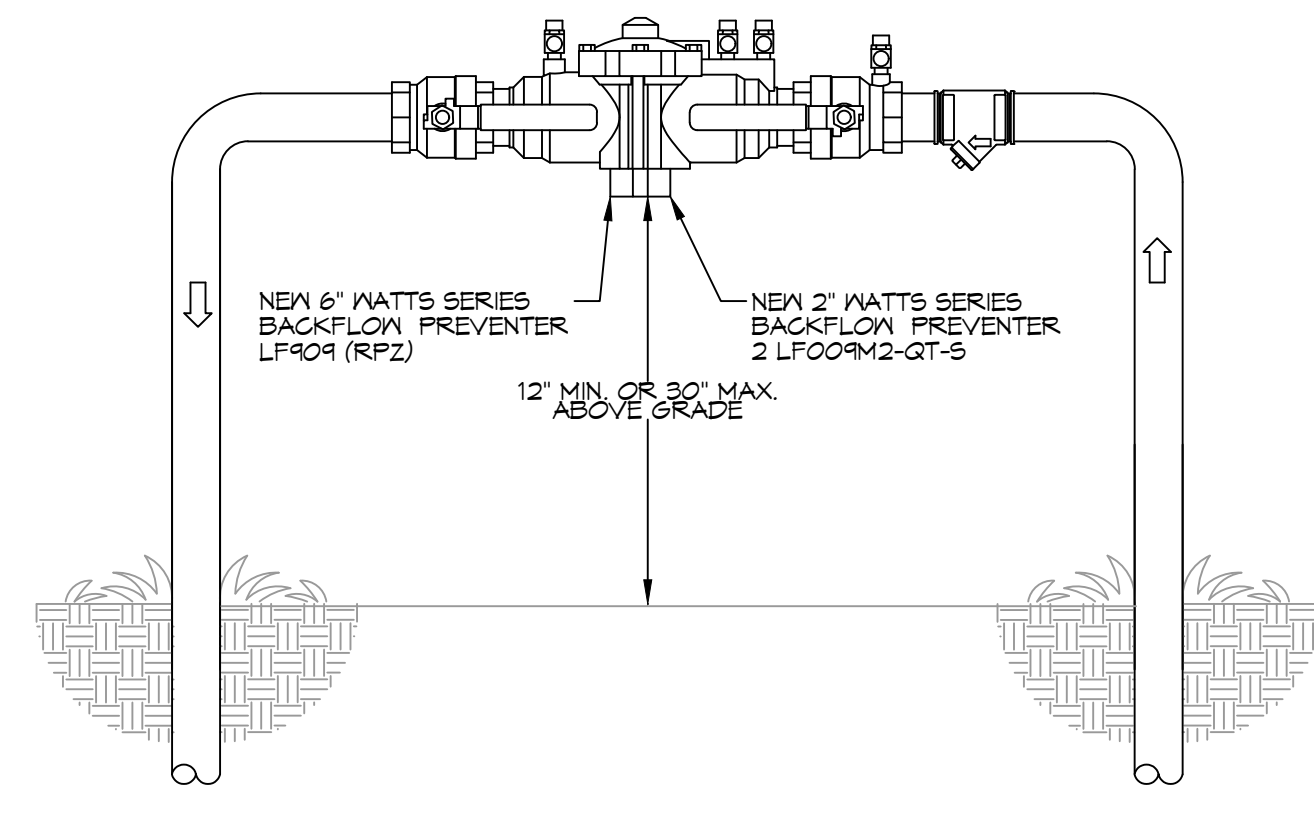
**A DETAIL**  
SCALE: N.T.S.



**B DETAIL**  
SCALE: N.T.S.



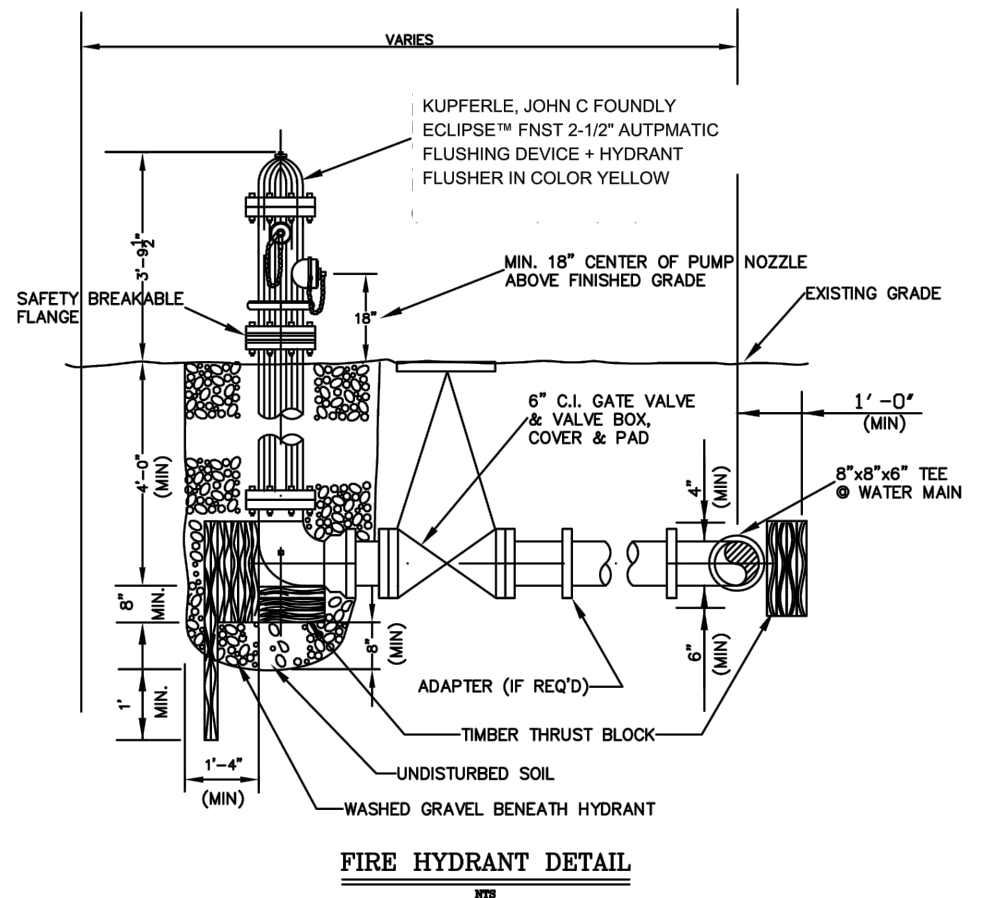
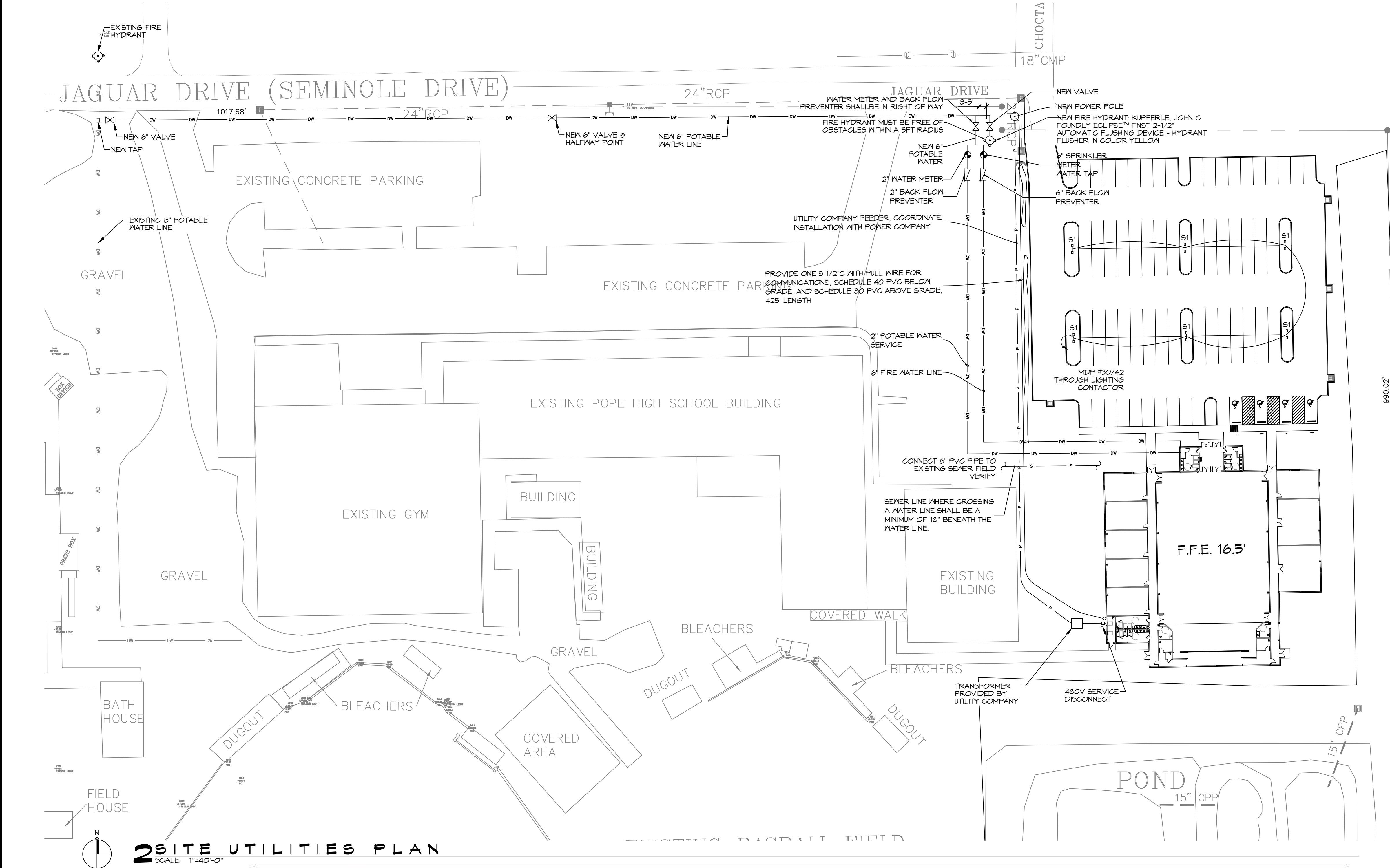
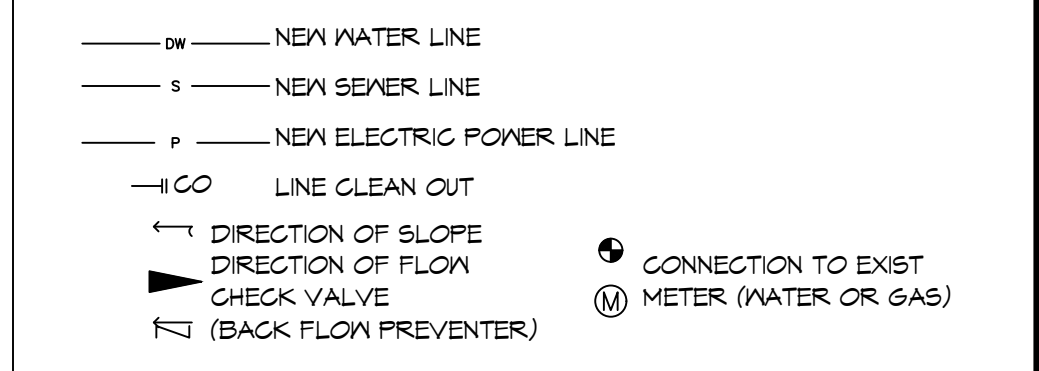
**3 TYPICAL RISER DETAIL**  
SCALE: N.T.S.



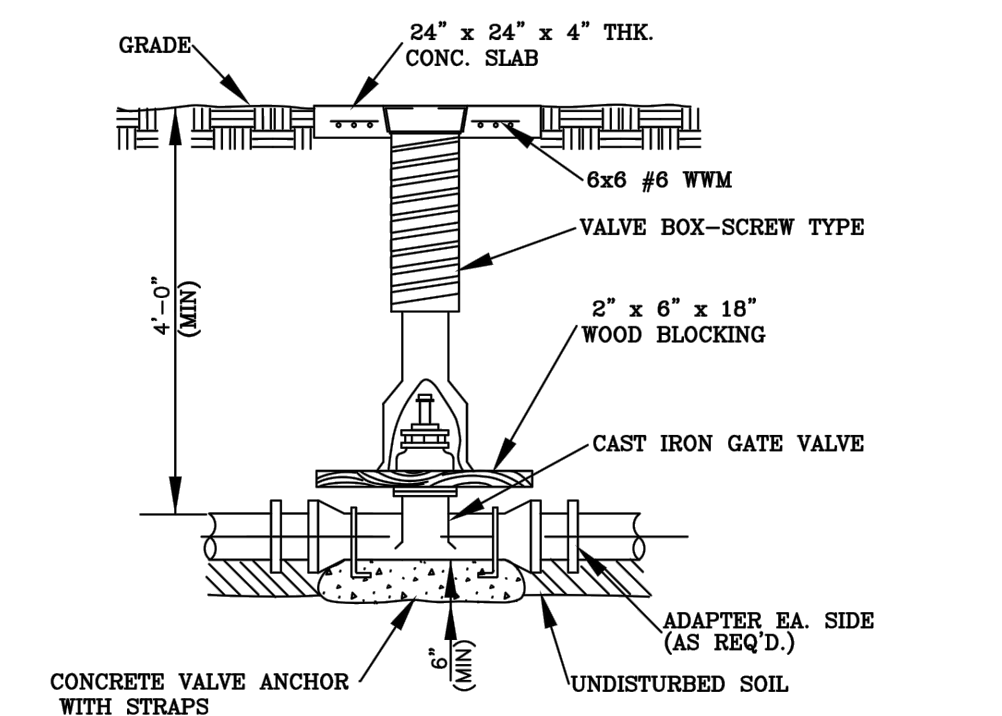
**GENERAL SITE UTILITIES NOTES**

- ALL CONSTRUCTION SHALL COMPLY WITH CONTRACT SPECIFICATIONS AND APPLICABLE LOCAL, STATE, AND FEDERAL STANDARDS AND REGULATIONS.
- CONSTRUCTION SHALL NOT INTERRUPT EXISTING UTILITIES.
- ALL DISTURBED GROUND SHALL BE RESTORED IN KIND TO A CONDITION EQUAL TO OR BETTER THAN ORIGINALLY FOUND.
- SOIL EROSION CONTROL SHALL BE IN ACCORDANCE WITH THESE DOCUMENTS.
- PROTECT EXISTING UTILITY LINES FROM DAMAGE. FOLLOW INDIVIDUAL UTILITY'S RECOMMENDATIONS FOR UTILITY LINE PROTECTION.
- CONTRACTOR SHALL IMMEDIATELY REPORT ALL DAMAGE TO UTILITY LINES TO BOTH UTILITY COMPANY AND ENGINEER.
- ALL DAMAGE CAUSED TO EXISTING UTILITY LINES BY CONTRACTOR'S OPERATIONS SHALL BE REPAIRED BY THE CONTRACTOR TO COMPLETE SATISFACTION OF THE UTILITY COMPANY AND ENGINEER.
- LOCATION OF EXISTING UTILITIES IS APPROXIMATE. CONTRACTOR SHALL FIELD VERIFY EXACT LOCATIONS.
- CONTRACTOR IS RESPONSIBLE FOR CUT AND GAP OF EXISTING UTILITIES PRIOR TO ANY DEMOLITION.
- CONTRACTOR SHALL CONTACT LOUISIANA ONE CALL PRIOR TO COMMENCEMENT OF SITE EXCAVATION.
- THE CONTRACTOR SHALL CONTACT CITY OF SLIDELL PUBLIC UTILITY DEPARTMENT AT (985) 846-4291 FOR TAPS.
- THE CONTRACTOR SHALL CONTACT HERB GORNOR @ WASHINGTON ST TAMMANY (985) 892-8804 FOR POWER CONNECTION.

**SITE UTILITIES LEGEND**



- NOTES:**  
 HYDRANT PAINT SHALL BE FACTORY APPLIED. (FIELD APPLIED PAINT SHALL NOT BE APPROVED)  
 PAINT COLOR SHALL BE:  
 1. KENNEDY HYDRANTS: KENNEDY SAFETY YELLOW NUMBER 05  
 2. MULLER HYDRANTS: SAFETY YELLOW, F830X1959, M40150, PAINT CODE (W7)  
 3. CLOW MEDALLION: SAFETY YELLOW  
 4. AMERICAN DARLING HYDRANTS: DUPONT SAFETY YELLOW 1663E



**4 FIRE HYDRANT DETAIL**  
SCALE: N.T.S.

Luminaire Schedule						LLF	Lum. Lumens
Symbol	Label	Qty	Arrangement	Manufacturer & Part Number			
	S1	6	Back-Back	NLS - NV-1-T5W 32L-7-40K7- HV		0.950	10365

**PARKING LOT LIGHTING SCHEDULE**  
SCALE: N.T.S.

**DAMMON ENGINEERING, INC.**  
 LOUISIANA & MISSISSIPPI  
 Chief Engineer: Brian Mistich, PE  
 554 Old Spanish Trail  
 Slidell, LA 70461  
 www.dammonengineering.com  
 info@dammonengineering.com  
 PH: 985.649.5832 F: 985.641.5950

DATE	REVISIONS	DESCRIPTION



**NEW AUDITORIUM POPE HIGH SCHOOL**  
 1901 LAGAR DR  
 SLIDELL, LA 70461  
 JOB No: 2022-04-10-2026  
 DATE: 04-10-2026  
 DRAWN BY: BAK  
 CHECKED BY: GCS  
 SHEET TITLE: SITE UTILITIES PLAN  
 DRAWING NUMBER: C102  
 SHEET No: 4 of 20