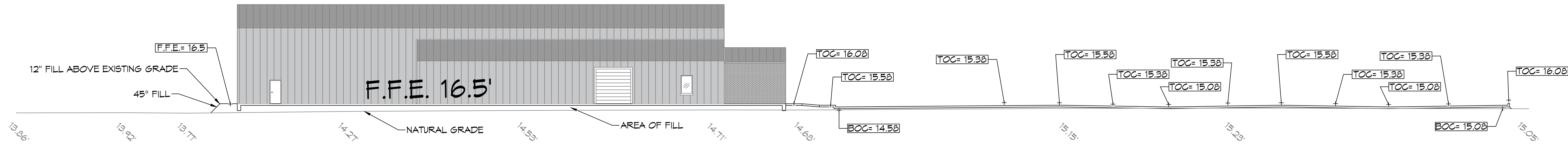
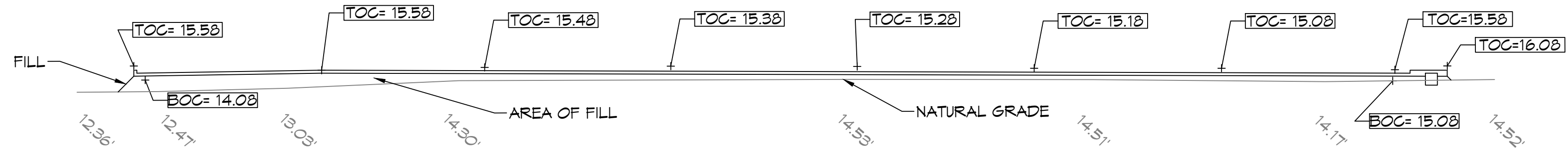


FILE NAME: J:\Projects\Projects\2022 - Proj\John Paul School Auditorium\Drawings\C105 - Site Section.dwg
 PLOT DATE: 04-10-2026 10:33:59 AM
 PLOT SCALE: 1"=15'-0"



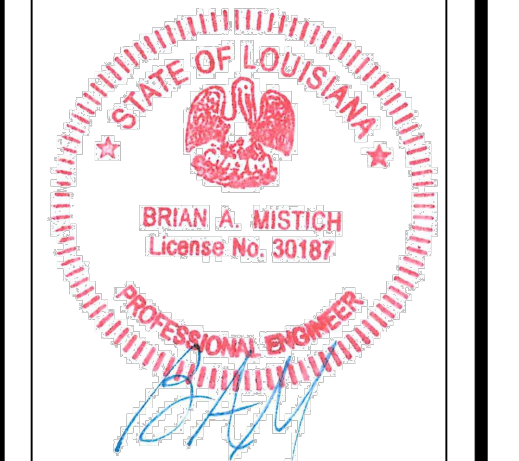
A CROSS SECTION
 C104 | C105 SCALE: 1" = 15'-0"



B CROSS SECTION
 C104 | C105 SCALE: 1" = 15'-0"

DAMMON
ENGINEERING, INC.
 LOUISIANA & MISSISSIPPI
 Chief Engineer: Brian Mistich, PE
 www.dammonengineering.com
 info@dammonengineering.com
 554 Old Spanish Trail
 Slidell, LA 70488
 PH: 985.649.5832 F: 985.641.9950

#	DESCRIPTION	DATE



NEW AUDITORIUM
 JOHN PAUL
 HIGH SCHOOL

1901 LAGUAS DR
 SLIDELL, LA 70461
 JOB No: 2522 DATE: 04-10-2026
 DRAWN BY: BAW CHECKED BY: CKD

SHEET TITLE:
 SITE SECTION
 DRAWING NUMBER:
C105
 SHEET No: 7 of 20