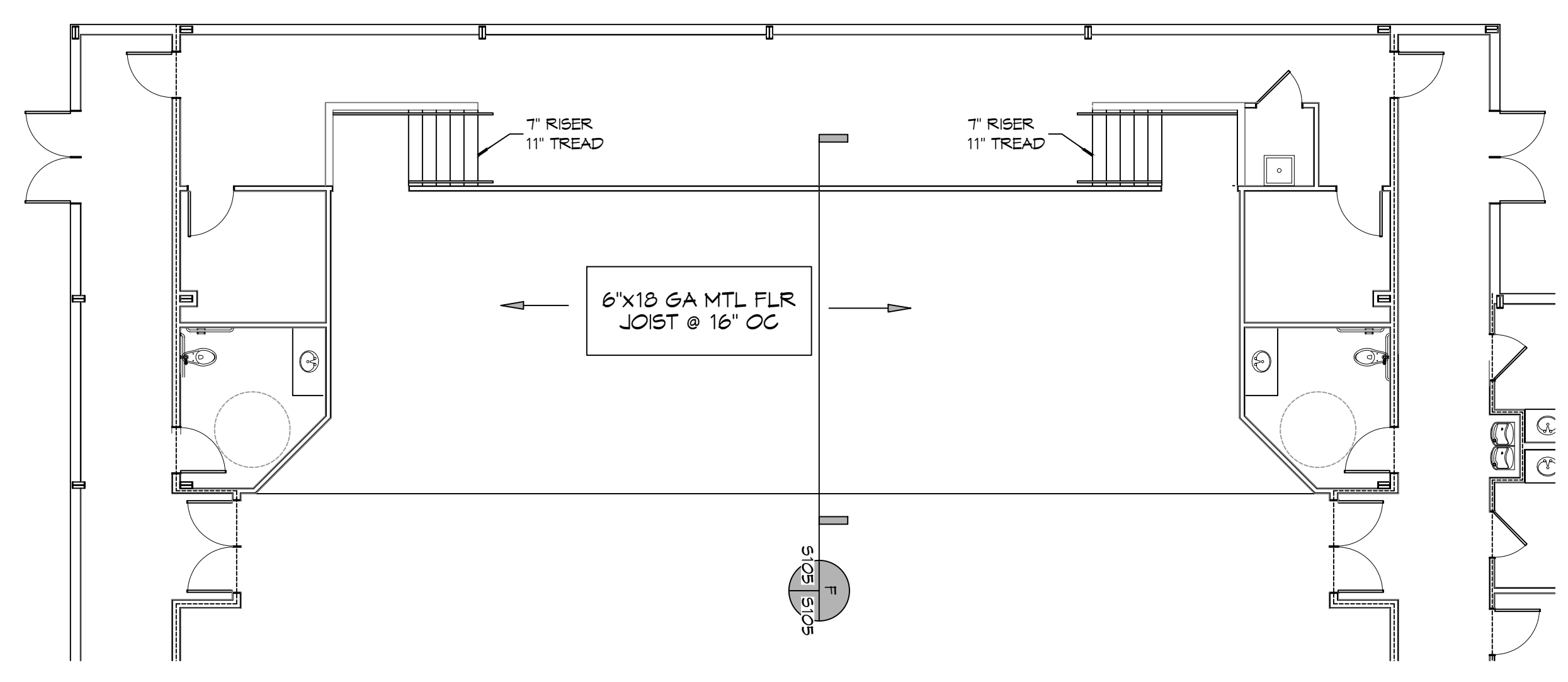
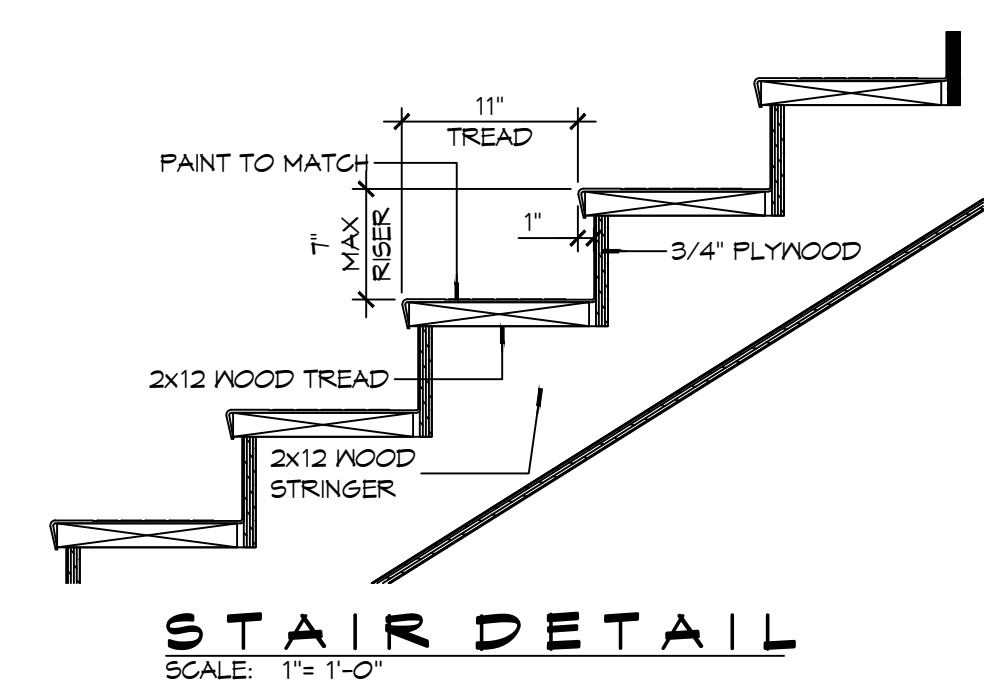


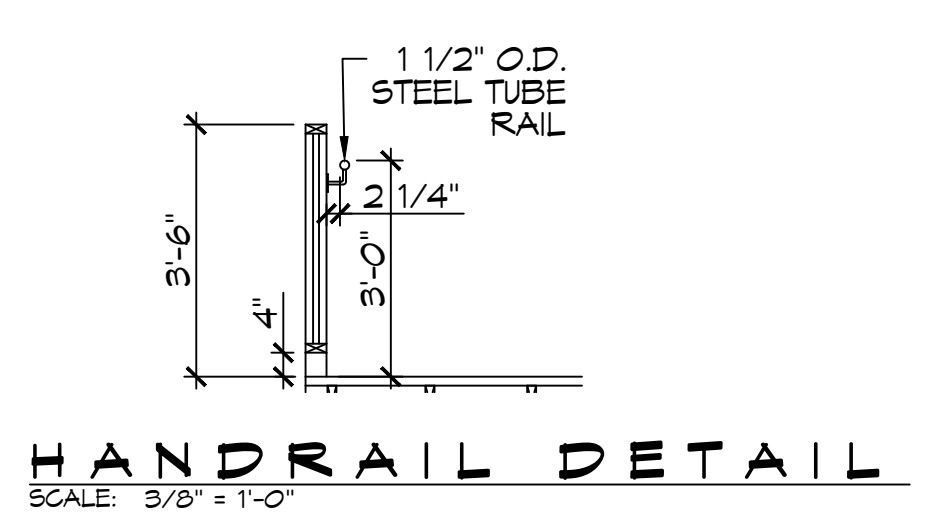
**E BUILDING SECTION**  
 SCALE: 3/16" = 1'-0"



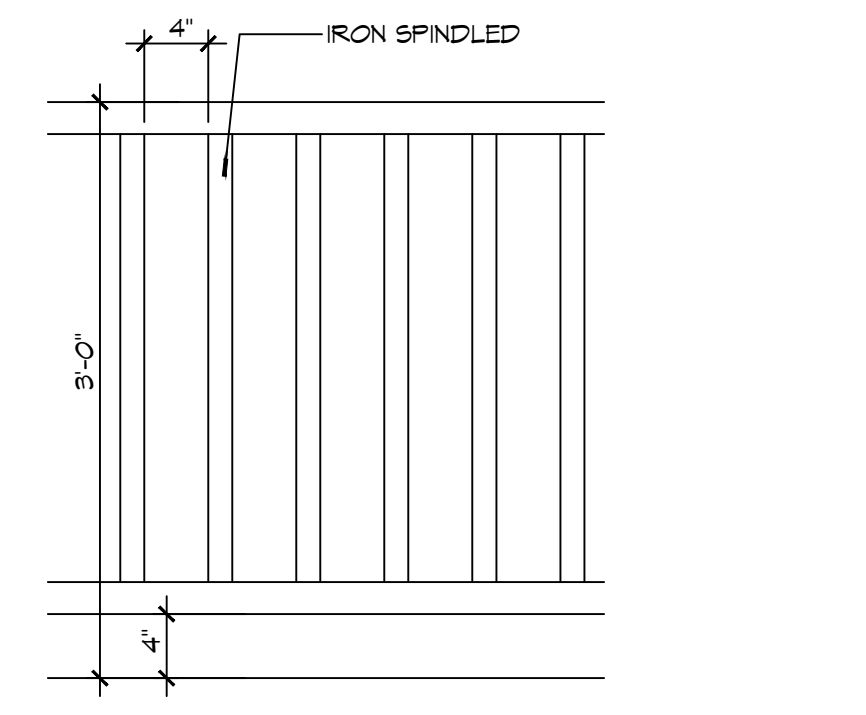
**26 STAGE PLAN**  
 SCALE: 1/8" = 1'-0"



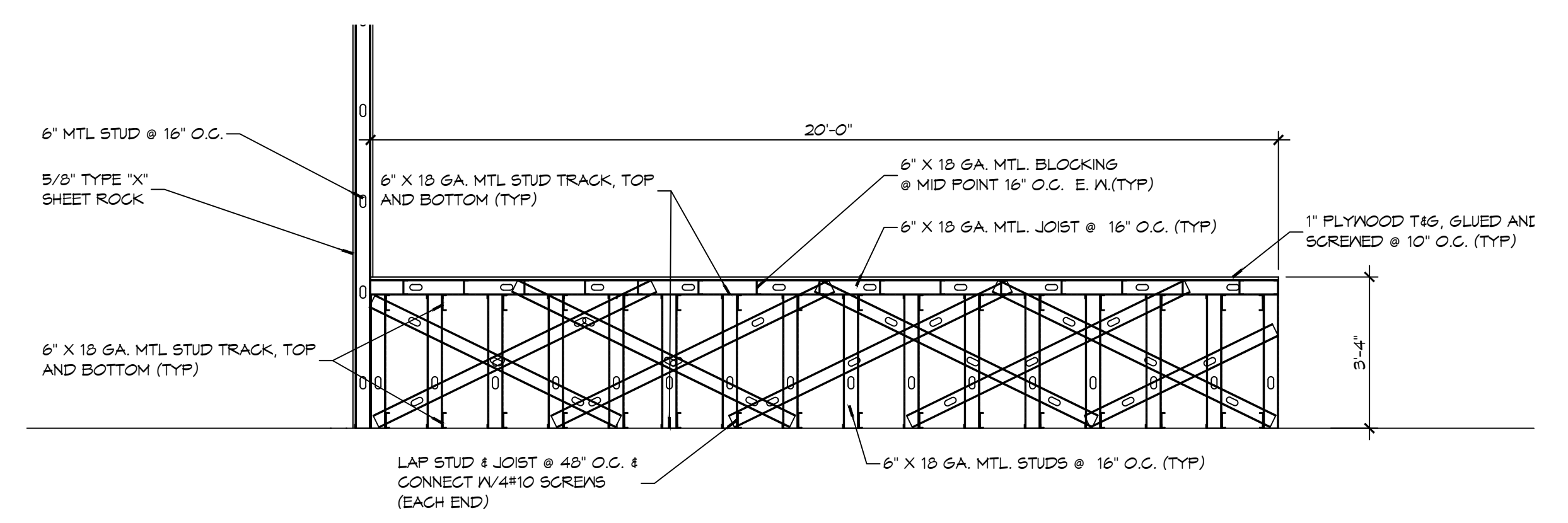
**STAIR DETAIL**  
 SCALE: 1" = 1'-0"



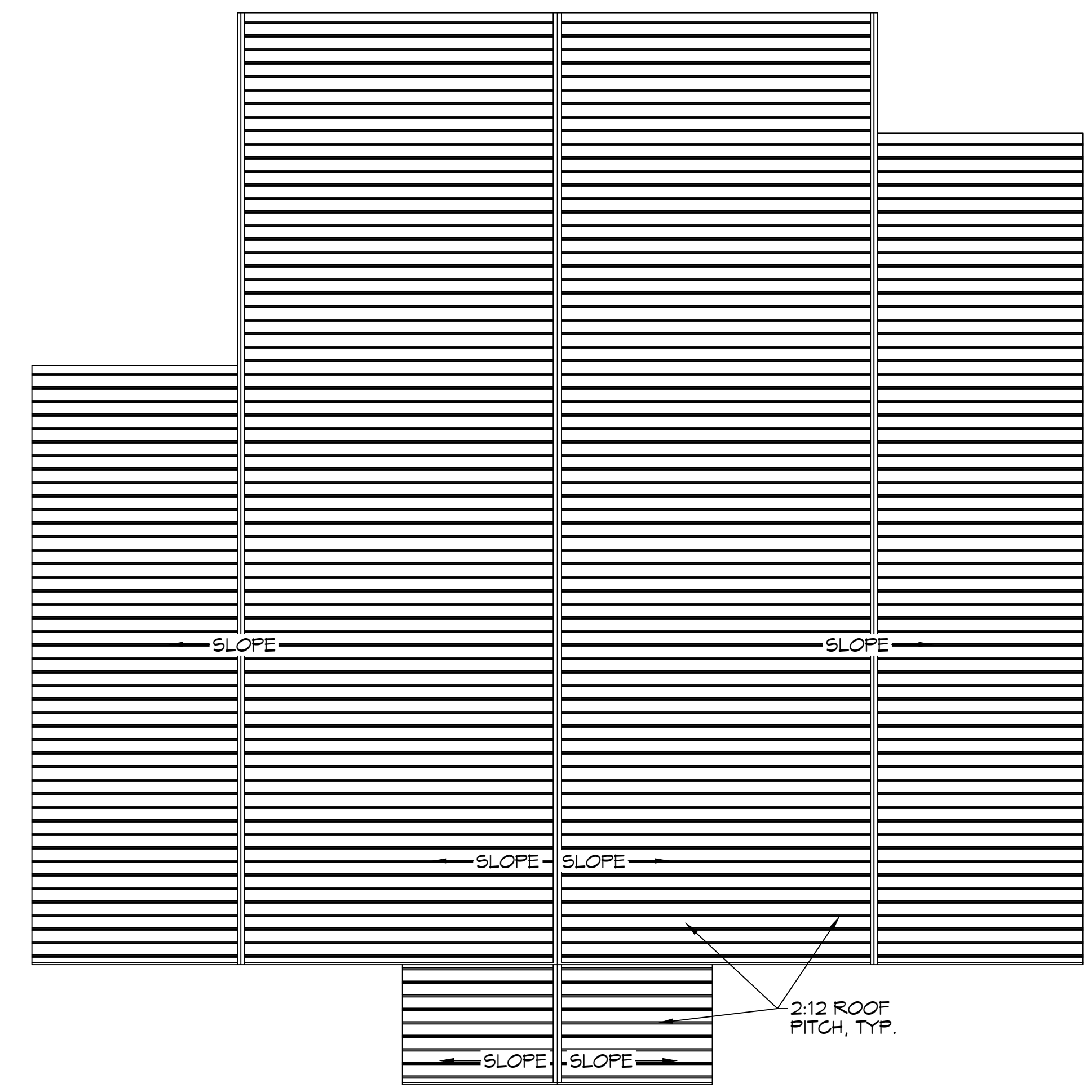
**HANDRAIL DETAIL**  
 SCALE: 3/8" = 1'-0"



**GUARD RAIL DETAIL**  
 SCALE: 1" = 1'-0"



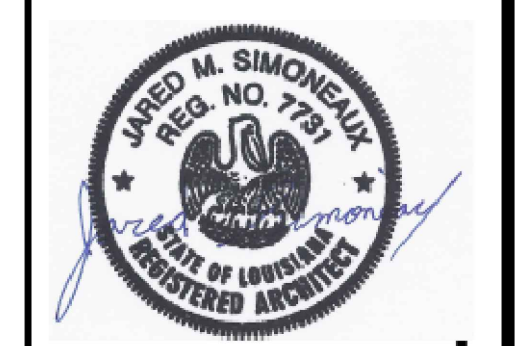
**F STAGE SECTION**  
 SCALE: 3/8" = 1'-0"



**27 ROOF PLAN**  
 SCALE: 1/16" = 1'-0"

**DAMMON ENGINEERING, INC.**  
 LOUISIANA & MISSISSIPPI  
 Chief Engineer: Brian Michich, PE  
 www.dammonengineering.com  
 info@dammonengineering.com  
 554 Old Spanish Trail  
 Slidell, LA 70458  
 PH: 985.649.5832 F: 985.641.3908

REVISIONS	DATE	DESCRIPTION



NEW ORLEANS  
 ADDITIORIUM  
 ROPE JOHNSON  
 HIGH SCHOOL  
 1401 JAGUARDR  
 SLIDELL, LA 70461  
 JOB No: 2522 DATE: 04-10-2026  
 DRAWN BY: CSD CHECKED BY: BANI

SHEET TITLE:  
 BUILDING SECTION

DRAWING NUMBER:  
**A105**