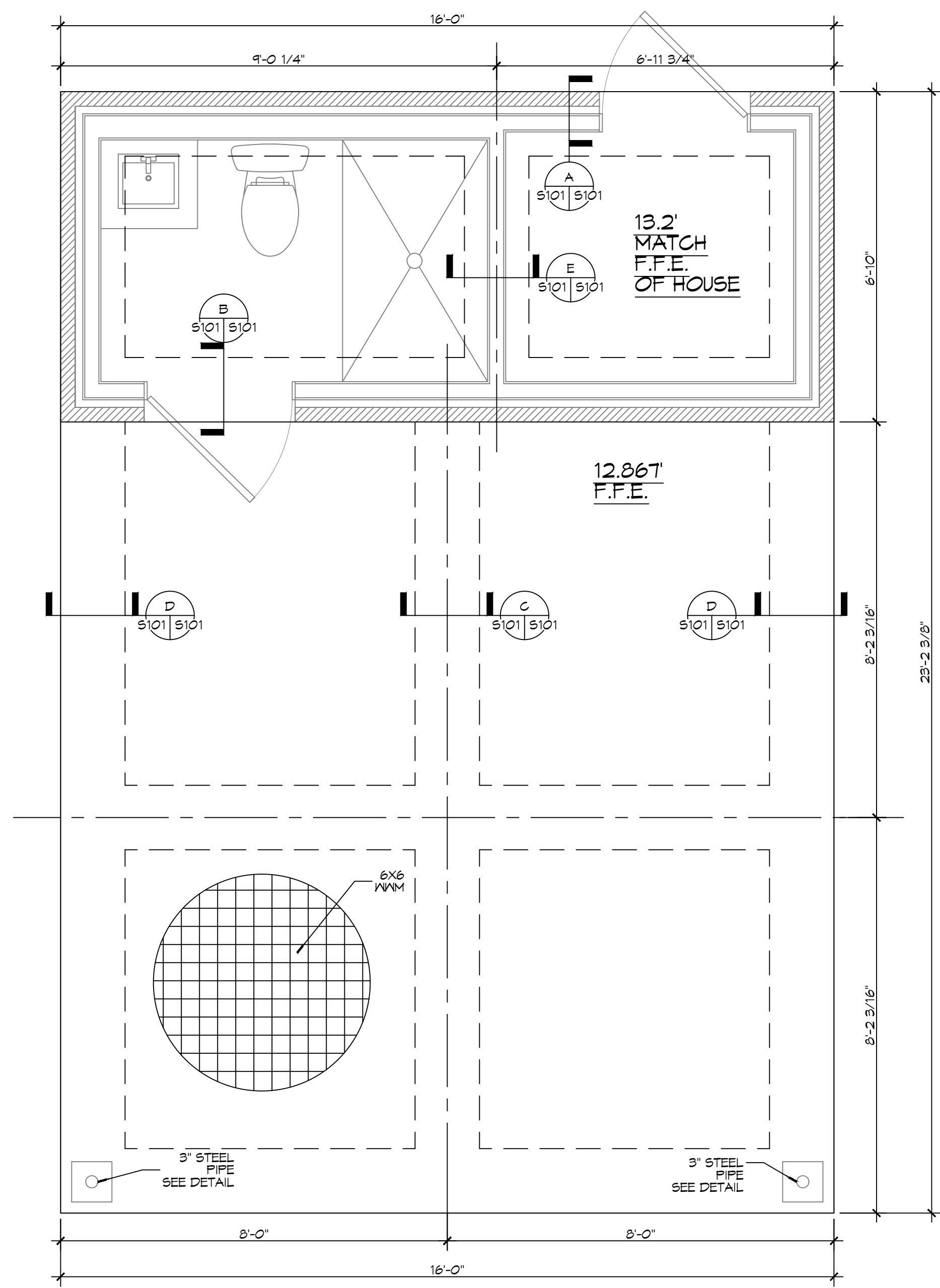
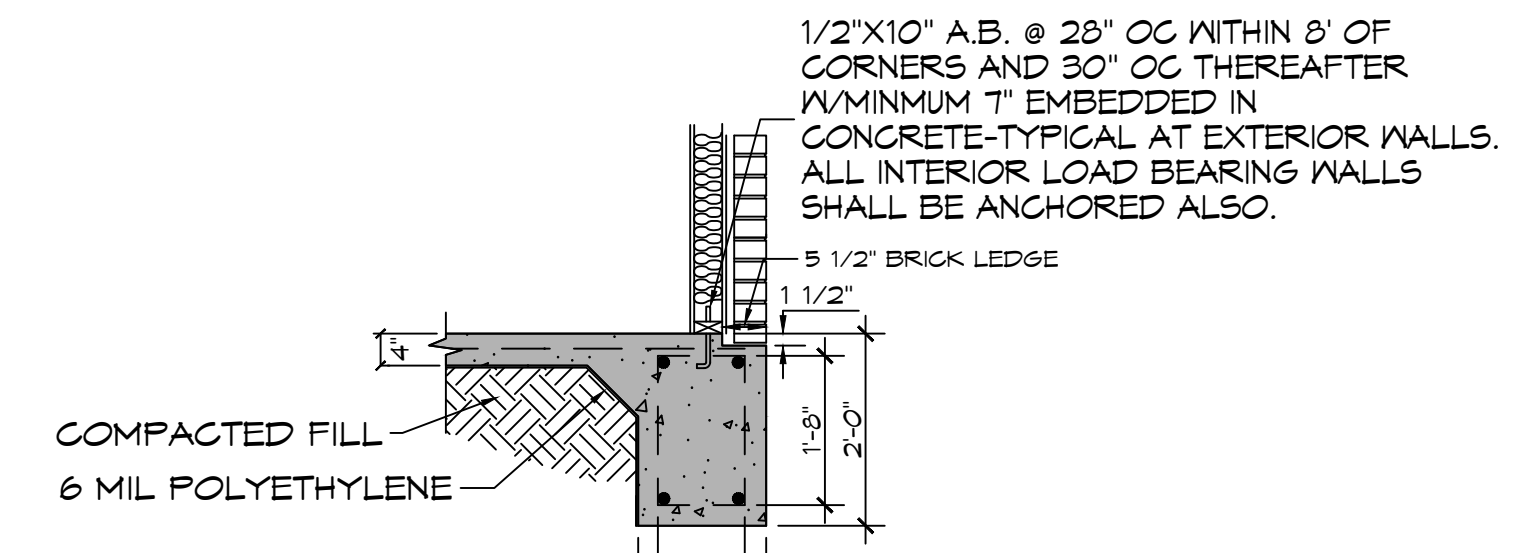


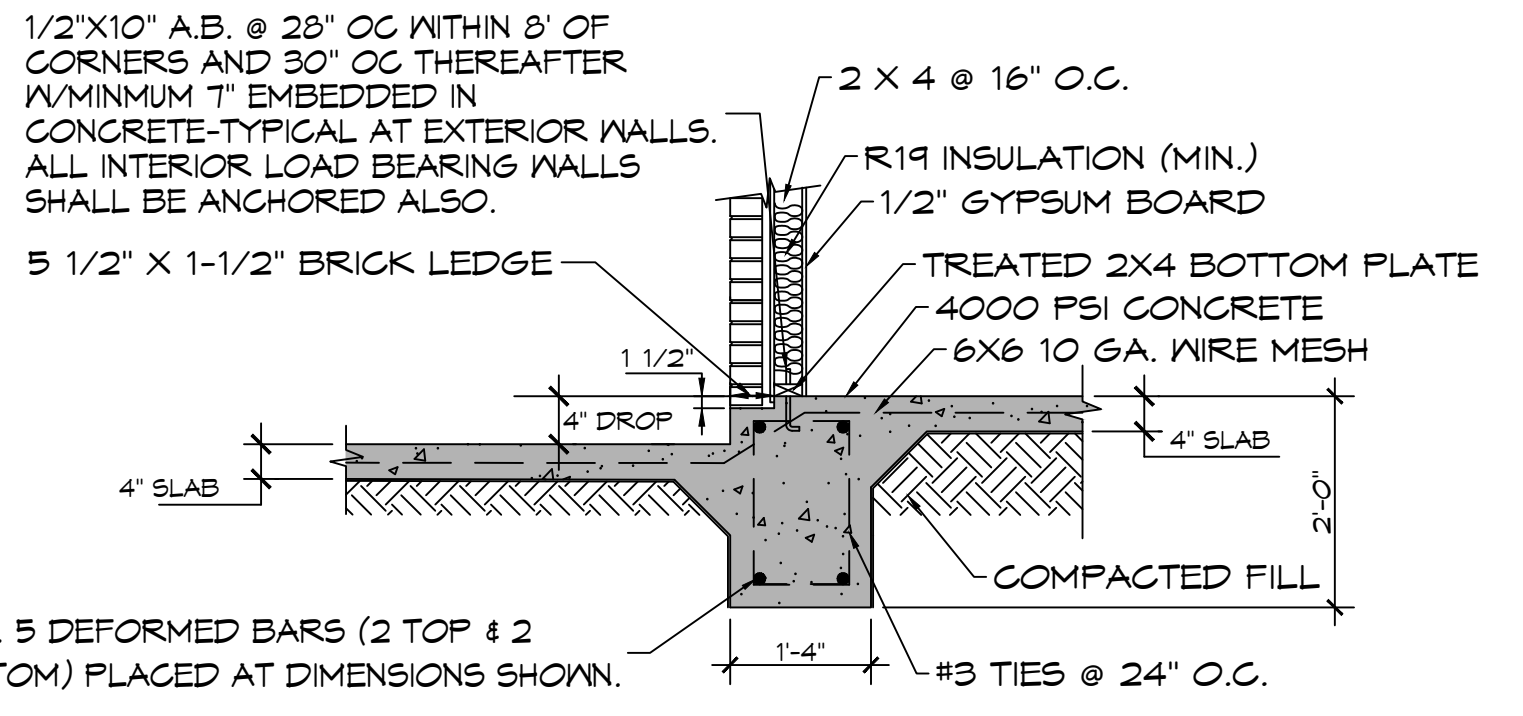
STEEL PIPE DETAIL
SCALE: 3/8" = 1'-0"



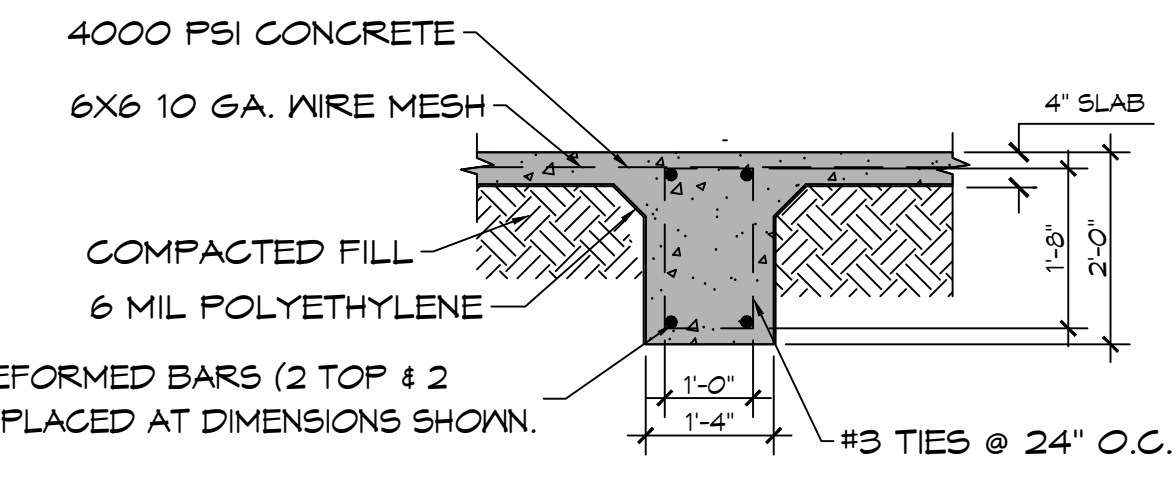
6 FOUNDATION PLAN
SCALE: 1/2" = 1'-0"



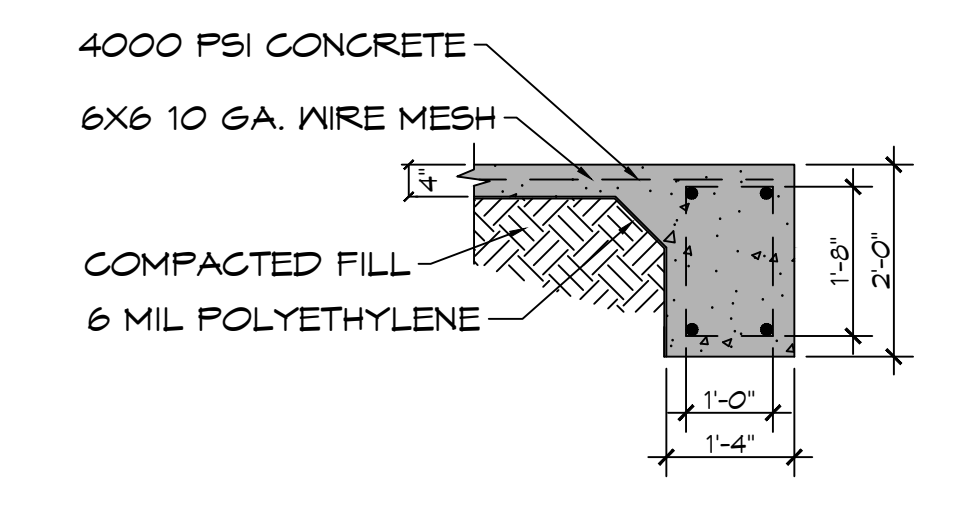
A BRICK EXTERIOR GRADE BEAM
SCALE: N.T.S.



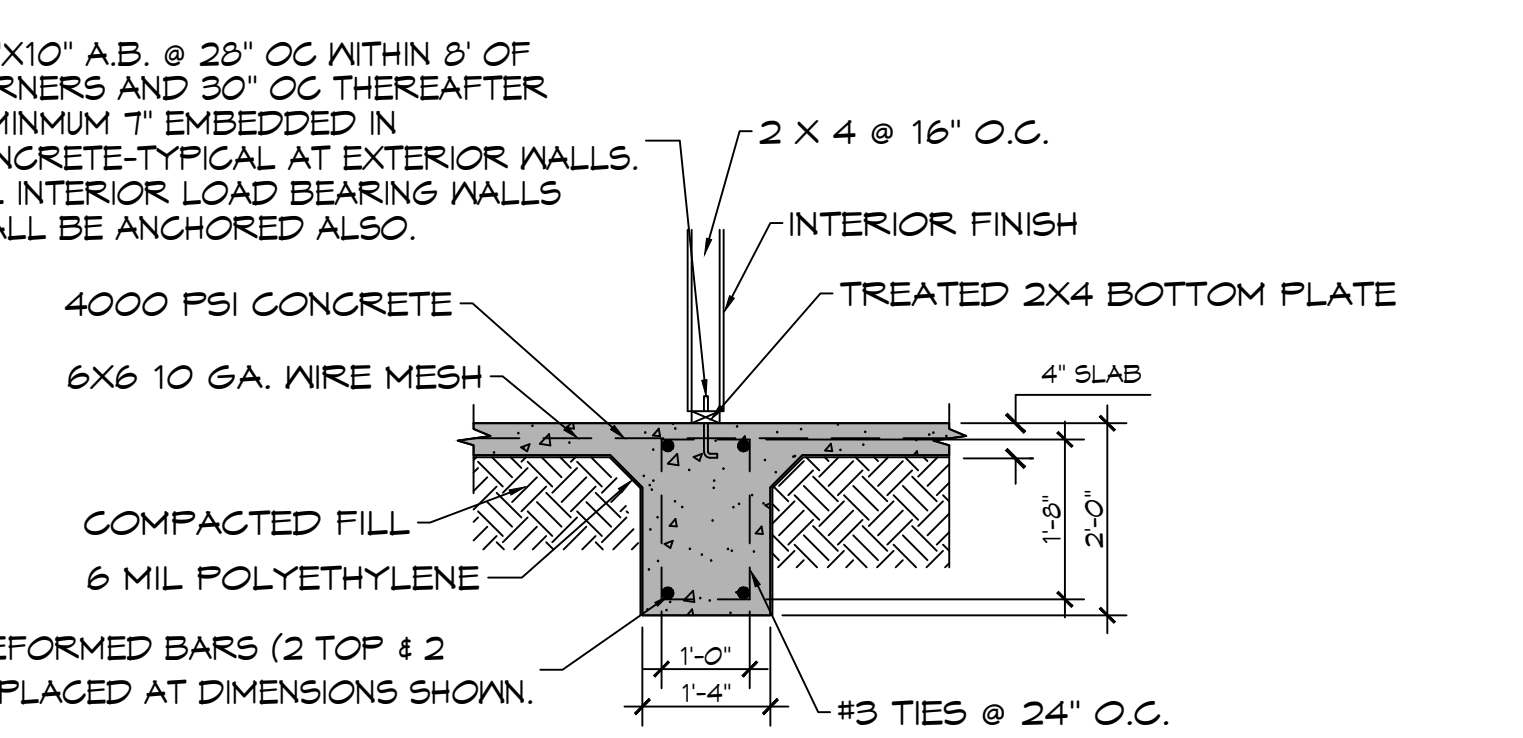
B EXTERIOR GRADE BEAM
SCALE: N.T.S.



C INTERIOR GRADE BEAM
SCALE: N.T.S.



D INTERIOR GRADE BEAM
SCALE: N.T.S.



E INTERIOR GRADE BEAM
SCALE: N.T.S.

FOUNDATION NOTES

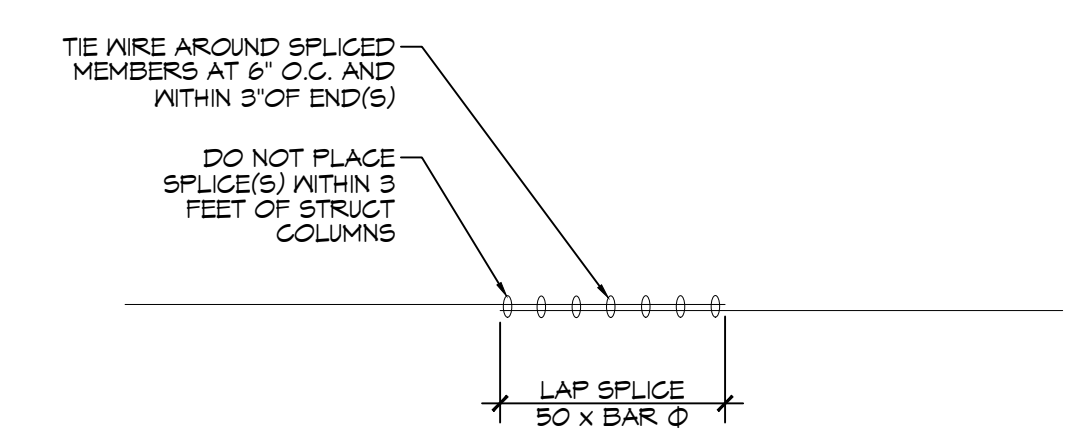
- ALL DIMENSIONS ARE EDGE OF CONCRETE (EOC) TO EDGE OF CONCRETE (EOC) UNLESS NOTED OTHERWISE.
- VERIFY ALL PLUMBING ROUGH-IN LOCATIONS ON ARCHITECTURAL DWGS.
- CONCRETE MIX SHALL HAVE A MINIMUM COMPRESSIVE STRENGTH OF 4000 PSI AT 28 DAYS. CONCRETE MIX SHALL BE IN ACCORDANCE WITH ACI-318.
- ALL CONVENTIONAL REINFORCING STEEL SHALL MEET ASTM-A615 (GRADE 60).
- TWO LAYER OF POLYETHYLENE VAPOR BARRIER SHALL BE PLACED UNDER ALL CONCRETE. VAPOR RETARDER TO BE MINIMUM 6 MIL THICKNESS; ASTM E 1745 CLASS A PERMEANCE LESS THAN 0.01 PERMS, EQUAL TO STEGO INDUSTRIES STEGO WRAP, EGOSHIELD-E 15 MIL BY EPRO, OR IRONBAR 15 BY FLATIRON FILMS. PROVIDE APPROPRIATE ACCESSORIES FOR A COMPLETE SYSTEM.
- ALL MESH SHALL BE SECURELY SUPPORTED TO PREVENT BOTH VERTICAL AND HORIZONTAL MOVEMENT DURING CONCRETE PLACEMENT.
- THE CONTRACTOR SHALL VERIFY ALL DROPS, OFFSETS, BRICK LEDGES, DIMENSIONS AND CONFIGURATIONS. CONTRACTOR MUST BE RESPONSIBLE FOR SAME. SEE ARCHITECTURAL DRAWINGS.
- FILL, AS A MINIMUM QUALITY, SHALL BE 40% CLAY AND 60% SANDY MIXTURE, PLACED IN 6" LIFTS AND COMPACTED TO A MINIMUM OF 95% STANDARD PROCTOR. FOOTINGS ARE DESIGNED TO USE SOIL WITH A BEARING CAPACITY OF 2000 LBS. PER SQUARE FOOT OR MORE. IT IS RECOMMENDED THAT THE OWNER VERIFY ALLOWABLE SOIL BEARING CAPACITY BY CONTRACTING THE SERVICES OF A SOILS ENGINEERING COMPANY.
- ALL SOIL BELOW SLAB SHALL RECEIVE TERMITE TREATMENT.

DESIGN CRITERIA

THE CONSTRUCTION FOR SAID RESIDENCE, WHERE WIND SPEED IS 140 MILES PER HOUR, AND V_{86d} WIND SPEED IS 130 MPH, WIND EXPOSURE ZONE C, IS DESIGNED IN ACCORDANCE WITH: AMERICAN FOREST AND PAPER ASSOCIATION (AF&PA) WOOD FRAME CONSTRUCTION MANUAL FOR ONE AND TWO FAMILY DWELLINGS (WFCM) 2001 EDITION AS WELL AS THE INTERNATIONAL RESIDENTIAL CODE (IRC) 2021 EDITION. STRUCTURE SHALL BE BUILT TO THE 2021 INTERNATIONAL ENERGY CONSERVATION CODE (2021 IECG) AND STATE AMENDMENTS ADOPTED JULY 1, 2023.

DAMMON ENGINEERING, INC.
LOUISIANA & MISSISSIPPI
www.dammonengineering.com
info@dammonengineering.com
PH: 985.649.5832
Chief Engineer: Brian Mistich, PE
554 Old Spanish Trail
Shreveport, LA 70458

REVISIONS	DATE
# DESCRIPTION	



REBAR SPLICE
SCALE: 1/2" = 1'-0"

NEW POOL HOUSE
ELI ST. JULIEN
5766 WINIEGA ROAD
SULPPELL, LA 70460
JOB No.:
DATE: 04-01-2025
DRAWN BY: CKD
CHECKED BY: BAM
SHEET TITLE:
GARAGE FOUNDATION AND
FILING PLAN AND DETAILS
DRAWING NUMBER:
S101
SHEET No: 2 of 5