

SECTION 015813

PROJECT IDENTIFICATION SIGN

PART 1 - GENERAL

1.1 SUMMARY

- A. Section Includes: Project Identification Sign

PART 2 - PRODUCTS

2.1 SIGN MATERIAL

- A. Graphic Design, Content, Colors, Lettering Style: See attached sketch.
- B. Sign Size: nominal 4 feet by 8 feet.
- C. Quantity: Provide 2 Project identification signs.
- D. Support Structure, Framing, and Trim: All pressure treated, sizes as specified on sign detail at end of this Section.
- E. Paint and Primers: Exterior quality, gloss alkyd enamel, two coats, paints shall be approved by Architect.
1. One coat primer: Exterior Alkyd Wood Primer:
    - a. Sherwin Williams: Exterior Oil Wood Primer, A-100.
  2. Two topcoats: Exterior Alkyd Enamel (Gloss): (Gloss Level 6).
    - a. Sherwin Williams; Seaguard 1000 Marine Enamel, Industrial & Marine.
    - b. Color shall be Sherwin Williams SW 6524 "Commodor" or approved equal.
- F. Concrete: Concrete for sign post footings shall be minimum 3,000 psi. Comply with ASTM C 94; ACI 301, "Specification for Structural Concrete"; ACI 117, "Specifications for Tolerances for Concrete Construction and Materials"; and CRSI's "Manual of Standard Practice."
- G. Fasteners: Fasten sign with stainless steel screws and stainless steel cup washers. All other fasteners and accessories shall be hot dip galvanized.

### PART 3 - EXECUTION

#### 3.1 INSTALLATION

- A. Install Project identification signs within 30 days after date fixed by Notice to Proceed.
- B. Erect Project identification signs in locations as directed by Architect.
- C. Install signs plumb and level. Anchor securely.
- D. Paint all exposed surfaces of sign, supports, and framing according to manufacturer's and MPI's recommendations.

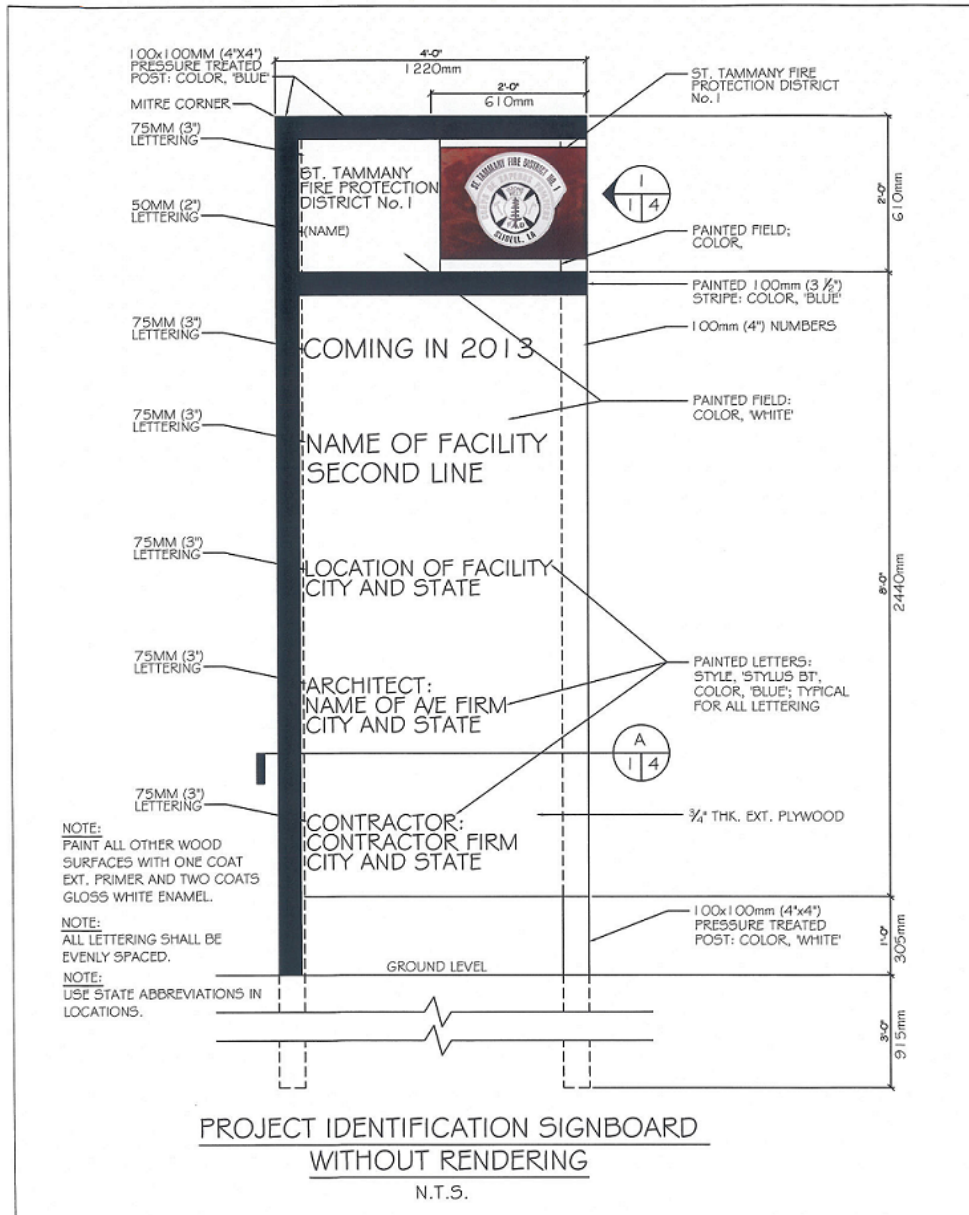
#### 3.2 MAINTENANCE

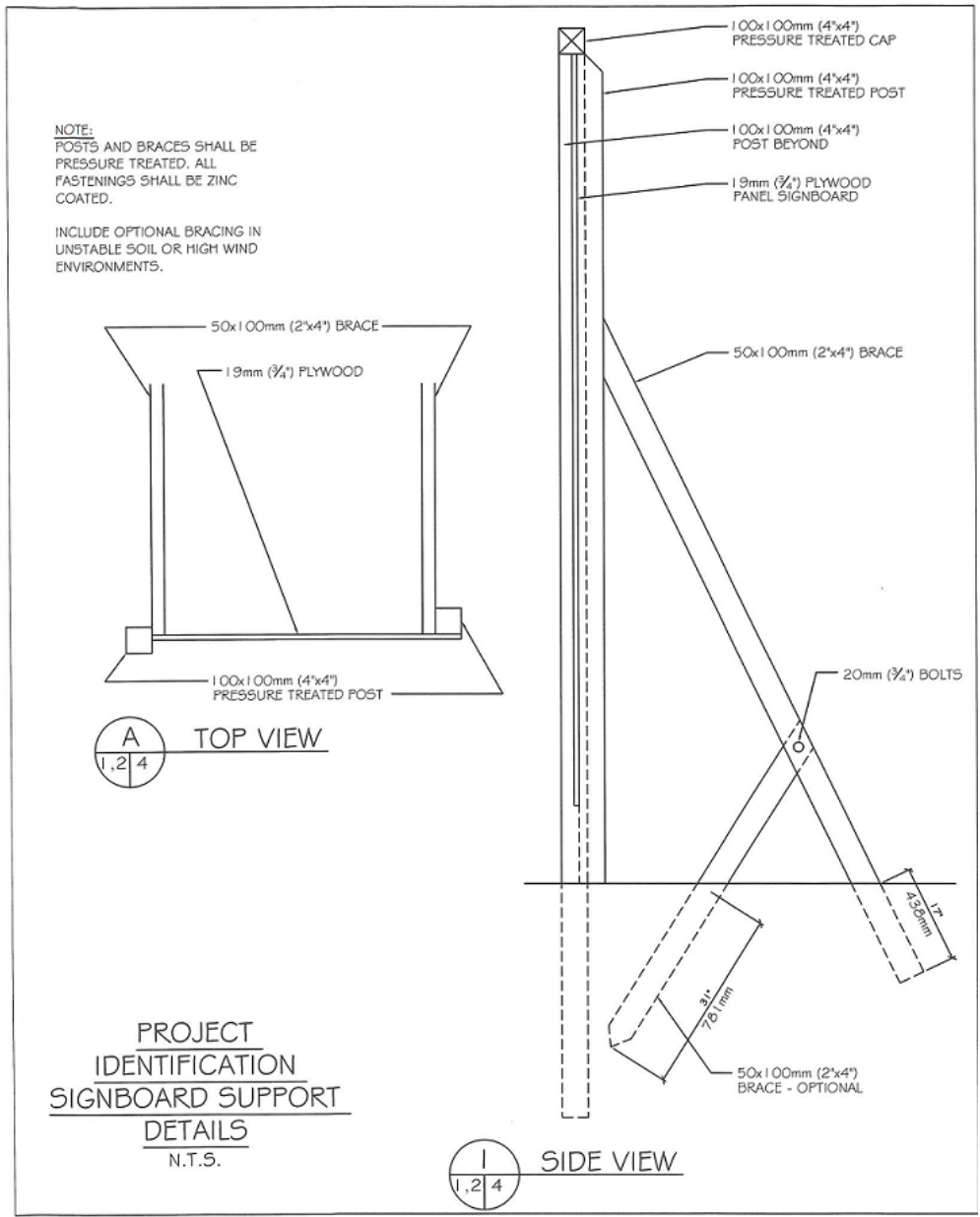
- A. Maintain signs and supports and keep clean. Repair damage. Replace deteriorated signs during course of project as directed by Architect.

#### 3.3 REMOVAL

- A. Remove signs, framing, supports and foundation at completion of Project and restore the area.

ST. TAMMANY FIRE PROTECTION DISTRICT NO. 1  
 NEW TRAINING FACILITY  
 34780 S. RANGE ROAD  
 SLIDELL LA 70460





END OF DOCUMENT 015813